



## ECON® Butterfly valve Type: 6320 Ductile cast iron/ Aluminum bronze Bare stem Wafer type

### Characteristics

**Type:** 6320  
**Norm:** EN [DIN]  
**Valve design:** Centric  
**Housing material:** Ductile cast iron  
**Material quality:** EN-JS1030  
**Surface protection:** Epoxy coating [external]  
**Connection:** Wafer type  
**Standard connection:** EN [DIN]/ ASME  
**Face to Face norm:** EN 558, Series 20  
**Operation:** Bare stem  
**Top flange standard:** ISO 5211 Direct Mount  
**Housing lining:** Replaceable  
**Disk material:** Aluminum bronze  
**Quality class disc:** CC333G

### Application

- Industrial applications such as water, hydrocarbons and slightly corrosive fluids and gases.
- Especially suitable for sea water due to the aluminium bronze valve disc.
- Supply systems (HVAC).
- Recommended in: Chemical

### Technical Information

- Fitted with replaceable lining.
- One-piece spindle in an anti-blowout design with a two-piece spindle from DN 350.
- With direct mount top-flange in accordance with ISO 5211.
- Three-point spindle bearing for excellent life cycle management.
- Grooved connection between spindle and valve disc.
- The body is provided with a two-layer epoxy coating with the upper layer in RAL 5015.
- Dimensions in DN 50-DN 600 [2" to 24"].
- Flange connection pressure class for DN 50-DN300 [2" to 12"]: PN 6, PN 10, PN 16 and class 150. For DN 350-DN 600 [14" to 24"]: PN 10, PN 16 and class 150.
- Maximum medium temperature depends on the lining: EPDM -10 to +140°C, NBR -10 to +100°C, FPM [FKM] -10 to +204°C.

### Construction

- Wafer connection type.
- Design according to EN 593, API 609 and ASME B16.34.
- The pressure class of the standard design is PN 16 for DN 50 to DN 200 and PN 10 for DN 250 to DN 600.
- Construction length according to EN 558 series 20, ISO 5752 series 20 and API 609 category A.
- Suitable for mounting with flanges according to EN 1092-2 and ASME B16.5 class 150.
- Bi-directional bubble-tight sealing according to EN 12266 rate A and API 598.

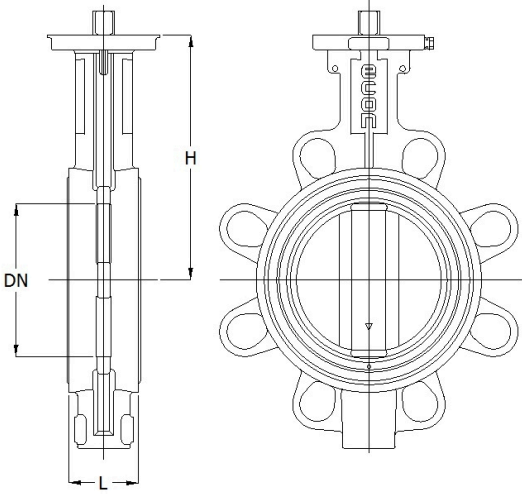
### Options

- Available as a socket type [series 64].
- Equipped with lever, worm gearbox and pneumatic, electric or hydraulic actuators.
- Position feedback for manually actuated or automated valves.
- Available with other lining materials: white EPDM EC1935, black EPDM EC1935, HNBR, silicone, CR [neoprene] and CSM [Hypalon].
- Available with valve disc in stainless steel, Hastelloy, Monel, Inconel, titanium or Uranus-B.
- Available with a steel or stainless steel body.
- DN 250 to DN 600 in pressure class PN 16.
- The shut-off valve is also available in a design that meets the requirements of EC1935. This standard applies to all materials that come into direct or indirect contact with food.

Disclaimer: The content of this document has been composed with the utmost care. However, it is possible that certain information changes over time, becomes inaccurate or incomplete. ERIKS does not guarantee that the information provided on this document is up to date, accurate and complete; the information provided is not intended to be advice. ERIKS shall never be liable for damage resulting from the use of the information provided.

Size table:

DN	H mm	L mm	Weight kg
DN50	143	43	2.7
DN65	155	46	3.4
DN80	162	46	4.4
DN100	181	52	5.3
DN125	197	56	7.6
DN150	210	56	9.5
DN200	240	60	14.6
DN250	286	68	21.5
DN300	309	78	32
DN350	329	78	42.2
DN400	361	102	61.7
DN450	393	114	91.2
DN500	427	127	110.2
DN600	492	154	182.1



Temperature and pressure range					
Size	Liner	Pressure rating	Temperature range	Maximum operating pressure	
DN50 - DN200	EPDM or NBR	PN16	EPDM -10°/+140°C, NBR -10°/+100°C	16	[bar]
DN250 - DN600	EPDM or NBR	PN10	EPDM -10°/+140°C, NBR -10°/+100°C	10	[bar]

Nominal inner diameter	Pressure rating	Pressure rating flange	Face to Face length mm	Material liner	Spindle material	Quality class spindle	Minimum medium temperature [continuous] °C	Maximum medium temperature [continuous] °C	Article
DN50 - 2"	PN16	PN6/10/16 and Class 150	43	EPDM	Stainless steel	1.4006	-10	140	13454560
DN50 - 2"	PN16	PN6/10/16 and Class 150	43	NBR	Stainless steel	1.4006	-10	100	13454531
DN65 - 2.1/2"	PN16	PN6/10/16 and Class 150	46	EPDM	Stainless steel	1.4006	-10	140	13454561
DN65 - 2.1/2"	PN16	PN6/10/16 and Class 150	46	NBR	Stainless steel	1.4006	-10	100	13454532
DN80 - 3"	PN16	PN6/10/16 and Class 150	46	EPDM	Stainless steel	1.4006	-10	140	13454562
DN80 - 3"	PN16	PN6/10/16 and Class 150	46	NBR	Stainless steel	1.4006	-10	100	13454553
DN100 - 4"	PN16	PN6/10/16 and Class 150	52	EPDM	Stainless steel	1.4006	-10	140	13454563
DN100 - 4"	PN16	PN6/10/16 and Class 150	52	NBR	Stainless steel	1.4006	-10	100	13454554
DN125 - 5"	PN16	PN6/10/16 and Class 150	56	EPDM	Stainless steel	1.4006	-10	140	13454564
DN125 - 5"	PN16	PN6/10/16 and Class 150	56	NBR	Stainless steel	1.4006	-10	100	13454555
DN150 - 6"	PN16	PN6/10/16 and Class 150	56	EPDM	Stainless steel	1.4006	-10	140	13454565
DN150 - 6"	PN16	PN6/10/16 and Class 150	56	NBR	Stainless steel	1.4006	-10	100	13454556

Disclaimer: The content of this document has been composed with the utmost care. However, it is possible that certain information changes over time, becomes inaccurate or incomplete. ERIKS does not guarantee that the information provided on this document is up to date, accurate and complete; the information provided is not intended to be advice. ERIKS shall never be liable for damage resulting from the use of the information provided.

Nominal inner diameter	Pressure rating	Pressure rating flange	Face to Face length	Material liner	Spindle material	Quality class spindle	Minimum medium temperature (continuous)	Maximum medium temperature (continuous)	Article
			mm				°C	°C	
DN200 - 8"	PN16	PN6/10/16 and Class 150	60	EPDM	Stainless steel	1.4006	-10	140	13454566
DN200 - 8"	PN16	PN6/10/16 and Class 150	60	NBR	Stainless steel	1.4006	-10	100	13454557
DN250 - 10"	PN10	PN6/10/16 and Class 150	68	EPDM	Stainless steel	1.4006	-10	140	13454567
DN250 - 10"	PN10	PN6/10/16 and Class 150	68	NBR	Stainless steel	1.4006	-10	100	13454558
DN300 - 12"	PN10	PN6/10/16 and Class 150	78	EPDM	Stainless steel	1.4006	-10	140	13454568
DN300 - 12"	PN10	PN6/10/16 and Class 150	78	NBR	Stainless steel	1.4006	-10	100	13454559
DN350 - 14"	PN10	PN10/16 and Class 150	78	EPDM	Stainless steel	1.4006	-10	140	13607257
DN350 - 14"	PN16	PN10/16 and Class 150	78	NBR	Stainless steel	1.4006	-10	100	13454569
DN400 - 16"	PN10	PN10/16 and Class 150	102	EPDM	Stainless steel	1.4006	-10	140	13607258
DN400 - 16"	PN16	PN10/16 and Class 150	102	NBR	Stainless steel	1.4006	-10	100	13454570
DN450 - 18"	PN10	PN10	114	EPDM	Stainless steel	1.4006	-10	140	13607259
DN450 - 18"	PN10	PN10	114	NBR	Stainless steel	1.4006	-10	100	13454571
DN500 - 20"	PN10	PN10	127	EPDM	Stainless steel	1.4006	-10	140	13607260
DN500 - 20"	PN10	PN10	127	NBR	Stainless steel	1.4006	-10	100	13454572
DN600 - 24"	PN10	PN10	154	EPDM	Stainless steel	1.4006	-10	140	13607261
DN600 - 24"	PN10	PN10	154	NBR	Stainless steel	1.4006	-10	100	13454573

Disclaimer: The content of this document has been composed with the utmost care. However, it is possible that certain information changes over time, becomes inaccurate or incomplete. ERIKS does not guarantee that the information provided on this document is up to date, accurate and complete; the information provided is not intended to be advice. ERIKS shall never be liable for damage resulting from the use of the information provided.