



ASAHI Diaphragm valve Series: 14 Type: 3767 PP Plastic welded sleeve PN10

Characteristics

Series: 14

Type: 3767

Housing construction: A (Weir type)

Housing material: PP

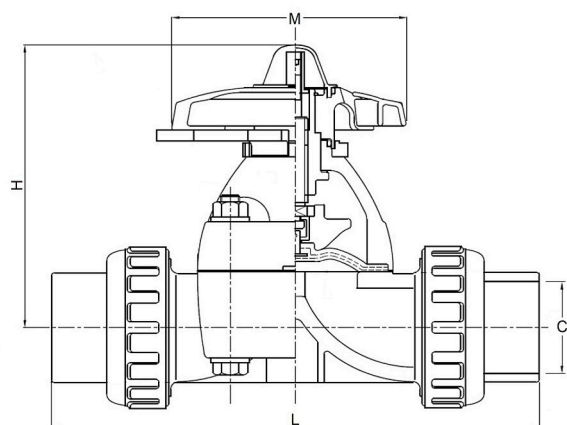
Connection: Plastic welded sleeve

Face to Face norm: Manufacturer standard

Manual operation: Hand wheel

Application

- Recommended in: Chemical



Size table:

C	L	H	M	Weight
mm	mm	mm	mm	kg
25	141	111	100	0.5
32	164	111	100	0.7

Membrane material	External tube diameter of connection	Pressure rating	Face to Face length	Material bonnet	Actuator material	Minimum medium temperature (continuous)	Maximum medium temperature (continuous)	Kv value	Article
	mm		mm			°C	°C	m ³ /h	
EPDM	25	PN10	141	PP	PP	-20	90	4.6	12771244
EPDM	32	PN10	164	PP	PP	-20	90	7.3	12771245

Disclaimer: The content of this document has been composed with the utmost care. However, it is possible that certain information changes over time, becomes inaccurate or incomplete. ERIKS does not guarantee that the information provided on this document is up to date, accurate and complete; the information provided is not intended to be advice. ERIKS shall never be liable for damage resulting from the use of the information provided.