



ECON® Butterfly valve Type: 4630 KIWA Ductile cast iron/ Duplex Bare stem Flange



Characteristics

Type: 4630 KIWA
Norm: EN (DIN)
Valve design: Centric
Housing material: Ductile cast iron
Material quality: EN-JS1030
Surface protection: Paint min. 250 µm
Connection: Flange
Standard connection: EN (DIN)
Face to Face norm: EN 558, Series 13
Operation: Bare stem
Top flange standard: ISO 5211 Direct Mount
Housing lining: Vulcanized
Disk material: Duplex
Quality class disc: 1.4470

Application

- For drinking water up to a maximum of 30°C.
- Suitable for vacuum applications.

Technical Information

- Double flange of butterfly valve type with centric disc bearings.
- Robust construction with full-length shaft.
- Short construction length in accordance with ISO 5752/EN 558 Series 13 (DIN 3202 F16).
- Vulcanised lining fixed on the housing, which also extends over the sealing surfaces of the flange.
- Standard with exterior coating of epoxy in RAL 5015 and a layer thickness of 250µm.
- Version with free shaft end (no actuation).
- Housing suitable for mounting between flanges in accordance with DIN PN10 or PN16.

Approval

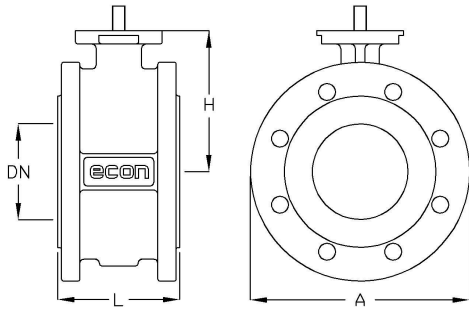
- Fully certified in accordance with KIWA evaluation guideline K602 for use in drinking water production and drinking water distribution systems.

Options

- Other materials and/or pressure classes.
- Available with EN 10204.31 certification.
- Equipped with lever, worm gearbox and pneumatic, electric or hydraulic actuators.
- Position feedback for manual or automated valves.
- Coating according to customer specifications.

Disclaimer: The content of this document has been composed with the utmost care. However, it is possible that certain information changes over time, becomes inaccurate or incomplete. ERIKS does not guarantee that the information provided on this document is up to date, accurate and complete; the information provided is not intended to be advice. ERIKS shall never be liable for damage resulting from the use of the information provided.

Size table:



DN	A	H	L	Weight
	mm	mm	mm	kg
DN50	165	118	108	7
DN80	200	133	114	10
DN350	505	315	190	170
DN400	565	350	216	101
DN450	615	375	222	123
DN500	670	415	229	170
DN600	780	465	267	231

Pressure and temperature range

Size	Lining	Pressure rating	Temperature range	Maximum operating pressure
DN50 - DN600	EPDM	PN10	0°/+30°C	10 bar

Nominal inner diameter	Pressure rating	Face to Face length	Material liner	Spindle material	Quality class spindle	Minimum medium temperature [continuous]	Maximum medium temperature [continuous]	Article
		mm				°C	°C	
DN50	PN10	108	EPDM-KIWA	Duplex	1.4462	-10	30	12362563
DN80	PN10	114	EPDM-KIWA	Duplex	1.4462	-10	30	12726008
DN350	PN10	190	EPDM-KIWA	Duplex	1.4462	-10	30	12641692
DN400	PN10	216	EPDM-KIWA	Duplex	1.4462	-10	30	12270225
DN450	PN10	222	EPDM-KIWA	Duplex	1.4462	-10	30	12726004
DN500	PN10	229	EPDM-KIWA	Duplex	1.4462	-10	30	12726005
DN600	PN10	267	EPDM-KIWA	Duplex	1.4462	-10	30	12726006

Disclaimer: The content of this document has been composed with the utmost care. However, it is possible that certain information changes over time, becomes inaccurate or incomplete. ERIKS does not guarantee that the information provided on this document is up to date, accurate and complete; the information provided is not intended to be advice. ERIKS shall never be liable for damage resulting from the use of the information provided.