



ECON® Butterfly valve Type: 6331 Ductile cast iron/Stainless steel EC1935 Squeeze handle Wafer type



Characteristics

Type: 6331
Norm: EN (DIN)
Valve design: Centric
Housing material: Ductile cast iron
Material quality: EN-JS1030
Surface protection: Epoxy coating (external)
Connection: Wafer type
Standard connection: EN (DIN)/ ASME
Face to Face norm: EN 558, Series 20
Operation: Squeeze handle
Top flange standard: ISO 5211 Direct Mount
Housing lining: Replaceable
Disk material: Stainless steel
Quality class disc: 1.4408
Actuator material: EN-JS1030

Application

- Industrial applications such as (drinking) water, hydrocarbons and slightly corrosive fluids and gases.
- Food applications for which the EC1935 standard is required.
- Recommended in: Chemical, Food & Beverages

Technical Information

- Fitted with replaceable lining.
- One-piece spindle in an anti-blowout design.
- With direct mount top-flange in accordance with ISO 5211.
- Three-point spindle bearing for excellent life cycle management.
- Grooved connection between spindle and valve disc.
- The body is provided with a two-layer epoxy coating with the upper layer in RAL 5015.
- Equipped with lever.
- Dimensions in DN 50-DN 200 (2" to 8").
- Flange connection pressure class for DN 50–DN 200 (2" to 8"): PN 6, PN 10, PN 16 and class 150.
- Maximum medium temperature depends on the lining: EPDM -10 to +140°C.

Construction

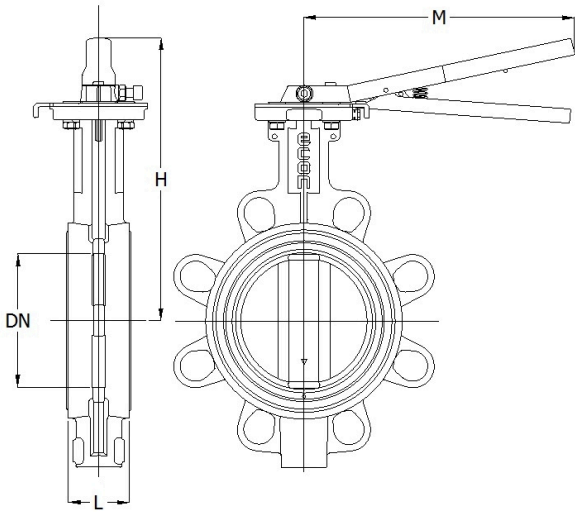
- Wafer connection type.
- Design according to EN 593, API 609 and ASME B16.34.
- The pressure class of the standard design for DN 50 to DN 200 is PN 16.
- Construction length according to EN 558 series 20, ISO 5752 series 20 and API 609 category A.
- Suitable for mounting with flanges according to EN 1092-2 and ASME B16.5 class 150.
- Bi-directional bubble-tight sealing according to EN 12266 rate A and API 598.

Approval

- Food approval according to EC1935 and FDA.

Options

- Available as a socket type (series 64).
- Equipped with lever, worm gearbox and pneumatic, electric or hydraulic actuators.
- Position feedback for manually actuated or automated valves.



Size table:

DN	H mm	L mm	M mm	Weight kg
DN50	195	43	207	3.2
DN65	207	46	207	4.2
DN80	225	46	248	5.2
DN100	244	52	248	6.1
DN125	260	56	248	8.4
DN150	273	56	265	10.3
DN200	324	60	324	16.3

Temperature and pressure range					
Size	Liner	Pressure rating	Temperature range	Maximum operating pressure	
DN50-DN200	EPDM	PN16	EPDM -10°/+140°C	16	[bar]
DN50-DN200	EPDM-White	PN16	EPDM -10°/+140°C	6	[bar]

Nominal inner diameter	Pressure rating	Pressure rating flange	Face to Face length mm	Material liner	Spindle material	Quality class spindle	Minimum medium temperature [continuous] °C	Maximum medium temperature [continuous] °C	Article
DN50 - 2"	PN16	PN10	43	EPDM-EC1935	Stainless steel	1.4006	-10	140	13277521
DN50 - 2"	PN16	PN10	43	White EPDM-EC1935	Stainless steel	1.4006	-10	140	13652985
DN65 - 2.1/2"	PN16	PN10	46	EPDM-EC1935	Stainless steel	1.4006	-10	140	13277522
DN65 - 2.1/2"	PN16	PN10	46	White EPDM-EC1935	Stainless steel	1.4006	-10	140	13652987
DN80 - 3"	PN16	PN10	46	EPDM-EC1935	Stainless steel	1.4006	-10	140	13277523
DN80 - 3"	PN16	PN10	46	White EPDM-EC1935	Stainless steel	1.4006	-10	140	13652989
DN100 - 4"	PN16	PN10	52	EPDM-EC1935	Stainless steel	1.4006	-10	140	13277524
DN100 - 4"	PN16	PN10	52	White EPDM-EC1935	Stainless steel	1.4006	-10	140	13652991
DN125 - 5"	PN16	PN10	56	EPDM-EC1935	Stainless steel	1.4006	-10	140	13277525
DN125 - 5"	PN16	PN10	56	White EPDM-EC1935	Stainless steel	1.4006	-10	140	13652993
DN150 - 6"	PN16	PN10	56	EPDM-EC1935	Stainless steel	1.4006	-10	140	13277526
DN150 - 6"	PN16	PN10	56	White EPDM-EC1935	Stainless steel	1.4006	-10	140	13652994
DN200 - 8"	PN16	PN10	60	EPDM-EC1935	Stainless steel	1.4006	-10	140	13277527
DN200 - 8"	PN16	PN10	60	White EPDM-EC1935	Stainless steel	1.4006	-10	140	13652996

Disclaimer: The content of this document has been composed with the utmost care. However, it is possible that certain information changes over time, becomes inaccurate or incomplete. ERIKS does not guarantee that the information provided on this document is up to date, accurate and complete; the information provided is not intended to be advice. ERIKS shall never be liable for damage resulting from the use of the information provided.