



ARI Globe valve Type 2576 series 12.405 cast iron pneumatic flange EN (DIN) PN16

Characteristics

Function: Two-way valve
Norm: EN (DIN)
Construction type: Straight
Housing material: Cast iron
Material quality: EN-JL1040
Process connection: Flange
Size process connection: DN80
Standard connection: EN 1092-2
Flange finish: Raised face
Face to Face norm: EN 558, Series 1
Type of disc: Fixed disc
Closing pressure: 10.1 bar
Actuation: Pressure below the valve
Function actuator: Spring open
Position indicator: Yes
Emergency manual operation: No
Stem seal type: Roof cuffs
Primary spindle seal material: PTFE
Material disc: 1.4021+QT
Seat material: 1.4021+QT
Spindle material: 1.4021+QT
Material bonnet: EN-JS1049
Bonnet gasket material: Graphite
Surface protection: Paint min. 30 µm
Actuator material: Steel
Medium temperature: -10 / 220 °C

Application

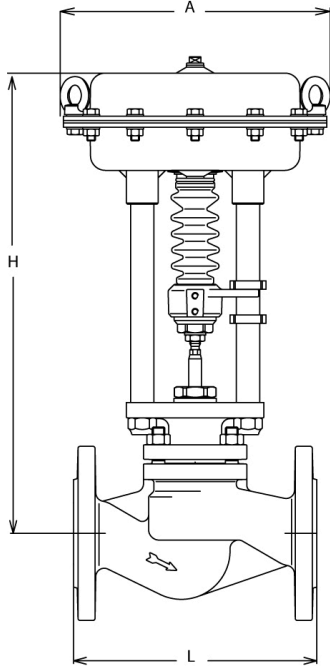
- Water.
- Steam.
- Refrigerant.
- Neutral liquids and gases.

Technical Information

- Pneumatic actuator with spring reset functionality.
- Leakage class A in accordance with DIN EN 12266.
- Options structure according to NAMUR DIN IEC 60534-6.
- Factory declaration ATEX2014/34/EU available.

Options

- Different seal variants.
- PTFE valve ring for even better sealing up to a maximum of 200°C.
- Housing made of ductile cast iron, steel or stainless steel, type 2577, 2578, 2579 respectively.
- Spring opening actuator.
- Mechanical or inductive limit switch.



Size table:

DN	Actuator	A mm	H mm	L mm
DN15	DP32	250	290	130
DN20	DP32	250	290	150
DN25	DP32	250	298	160
DN32	DP32	250	298	180
DN40	DP32	250	290	200
DN50	DP32	250	292	230
DN65	DP32	250	373	290
DN80	DP33	300	386	310

Nominal inner diameter	Pressure rating	Kv value m ³ /h	Max. pressure difference in opened position bar	Type of actuator	Type coding actuator	Diaphragm area cm ²	Pilot pressure	End contacts	Actuator	Article
DN20	PN16	7.4	2	Pneumatic membrane	DP32	250	1.4 to 6 bar	No	DP32	13410756
DN25	PN16	12	2	Pneumatic membrane	DP32	250	1.4 to 6 bar	No	DP32	11266948
DN32	PN16	19	2	Pneumatic membrane	DP32	250	1.4 to 6 bar	No	DP32	13410758
DN32	PN16	19	2	Pneumatic membrane	DP32	250	3.2 - 6 bar	No	DP32	12668876
DN40	PN16	31	2	Pneumatic membrane	DP32	250	3.2 - 6 bar	No	DP32	13395054
DN50	PN16	47	2	Pneumatic membrane	DP32	250	3.2 - 6 bar	No	DP32	12668877
DN50	PN16	47	2	Pneumatic membrane	DP32	250	4.1 - 6 bar	No	DP32	13410638
DN65	PN16	77	2	Pneumatic membrane	DP32	250	4.1 - 6 bar	No	DP32	12999620
DN80	PN16	120	2	Pneumatic membrane	DP33	400	3.3 - 6 bar	No	DP33	13410755
DN80	PN16	120	2	Pneumatic membrane	DP33	400	4.5 - 6 bar	No	DP33	13410639

Disclaimer: The content of this document has been composed with the utmost care. However, it is possible that certain information changes over time, becomes inaccurate or incomplete. ERIKS does not guarantee that the information provided on this document is up to date, accurate and complete; the information provided is not intended to be advice. ERIKS shall never be liable for damage resulting from the use of the information provided.