



ARI Control valve two way Type 2834 series 55.448 stainless steel electric flange

Characteristics

Series: 55.448
Type: 2834
Housing material: Stainless steel
Material quality: 1.4408
Connection: Flange
Standard connection: EN 1092-1/02
Ground characteristic: Equal percentage
Plug: Parabolic cone
Control range: 50:1
Leakage class: IV EN60534-4
Stem seal type: Roof cuffs
Material bonnet: 1.4408
Material cone: 1.4571
Seat material: 1.4571
Spindle material: 1.4571
Secondary spindle seal material: PTFE
Bonnet gasket material: Graphite
Type of actuator: Electrical
Supply voltage: 100 -240V AC
Zero-pressure return flow: None
Control signal: Three-point / 0 - 10 V / 4-20 mA
With feedback signal: No
Level of protection (IP value): IP65
With end contacts: No
Position indicator: Yes
Manual operation: Yes
Medium temperature: -10 / 220 °C
Ambient temperature: -20 / 70 °C

Application

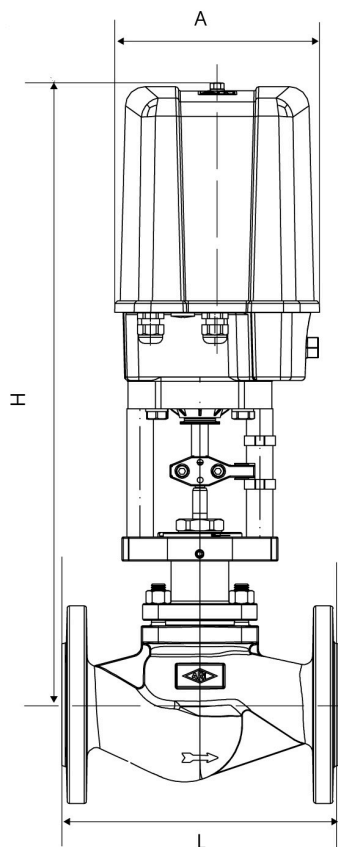
- Precise controlling of: Water.
- Steam.
- Coolant.
- Neutral liquids and gasses.

Technical Information

- Compact and variable design.
 - Robust cone guiding.
 - 360° Rotatable actuator.
 - Quick coupling between valve and actuator.
 - Large and accurate control range due to control ration of 50:1.
 - Various Kvs-values.
 - Low leakage rate due to conical valve seal.
 - Equal percentage control characteristic.
 - Electrical Premio-Plus® actuator.
 - Integrated digital valve positioner.
 - Equipped with emergency manual operation.
- Maximum electrical power input:**
- 21 VA - Premio-plus 2,2.
 - 65 VA - Premio-plus 5, Premio-plus 12, Premio-plus 15.

Options

- With a stainless steel spindle bellow suited for thermic oils and volatile gases.
- Various sealing variants.



Size table:

DN	Actuator	A mm	H mm	L mm	Weight kg
DN15	Premio-pl 2,2	171	496	130	10
DN20	Premio-pl 2,2	171	496	150	11
DN25	Premio-pl 2,2	171	511	160	12
DN32	Premio-pl 2,2	171	511	180	14
DN32	Premio-pl 5	171	511	180	14
DN40	Premio-pl 2,2	171	526	200	16
DN40	Premio-pl 5	171	526	200	16
DN50	Premio-pl 2,2	171	533	230	19
DN50	Premio-pl 5	171	533	230	19
DN65	Premio-pl 5	171	550	290	25
DN65	Premio-pl 15	210	667	290	29
DN80	Premio-pl 5	171	572	310	32
DN80	Premio-pl 15	210	689	350	36
DN100	Premio-pl 5	171	588	350	44
DN100	Premio-pl 15	171	588	350	44
DN100	Premio-pl 5	171	588	130	44
DN100	Premio-pl 15	210	705	350	48

Nominal inner diameter	Connection size	Pressure rating flange	Kvs value	Stroke	Type coding actuator	Adjusting force	Operating time	Max. pressure difference in opened position	Closing pressure	Article
				mm						
DN15	DN15	PN40	0.1	10	Premio-pl 2,2	2.2	10s / 21s / 26s / 40s	40	40	13463018
DN15	DN15	PN40	0.16	10	Premio-pl 2,2	2.2	10s / 21s / 26s / 40s	40	40	13463019
DN15	DN15	PN40	0.25	10	Premio-pl 2,2	2.2	10s / 21s / 26s / 40s	40	40	13463020
DN15	DN15	PN40	0.4	10	Premio-pl 2,2	2.2	10s / 21s / 26s / 40s	40	40	13463021
DN15	DN15	PN40	0.63	10	Premio-pl 2,2	2.2	10s / 21s / 26s / 40s	40	40	13463022
DN15	DN15	PN40	1	10	Premio-pl 2,2	2.2	10s / 21s / 26s / 40s	40	40	13463023
DN15	DN15	PN40	1.6	10	Premio-pl 2,2	2.2	10s / 21s / 26s / 40s	40	40	13463024
DN15	DN15	PN40	2.5	10	Premio-pl 2,2	2.2	10s / 21s / 26s / 40s	40	40	13463025
DN15	DN15	PN40	4	10	Premio-pl 2,2	2.2	10s / 21s / 26s / 40s	40	40	13463026
DN20	DN20	PN40	0.1	10	Premio-pl 2,2	2.2	10s / 21s / 26s / 40s	40	40	13463027
DN20	DN20	PN40	0.16	10	Premio-pl 2,2	2.2	10s / 21s / 26s / 40s	40	40	13463028
DN20	DN20	PN40	0.25	10	Premio-pl 2,2	2.2	10s / 21s / 26s / 40s	40	40	13463029
DN20	DN20	PN40	0.4	10	Premio-pl 2,2	2.2	10s / 21s / 26s / 40s	40	40	13463030
DN20	DN20	PN40	0.63	10	Premio-pl 2,2	2.2	10s / 21s / 26s / 40s	40	40	13463031
DN20	DN20	PN40	1	10	Premio-pl 2,2	2.2	10s / 21s / 26s / 40s	40	40	13463032

Disclaimer: The content of this document has been composed with the utmost care. However, it is possible that certain information changes over time, becomes inaccurate or incomplete. ERIKS does not guarantee that the information provided on this document is up to date, accurate and complete; the information provided is not intended to be advice. ERIKS shall never be liable for damage resulting from the use of the information provided.

Nominal inner diameter	Connection size	Pressure rating flange	Kvs value	Stroke	Type coding actuator	Adjusting force	Operating time	Max. pressure difference in opened position	Closing pressure	Article
				mm				bar		
DN20	DN20	PN40	1.6	10	Premio-pl 2,2	2.2	10s / 21s / 26s / 40s	40	40	13463033
DN20	DN20	PN40	2.5	10	Premio-pl 2,2	2.2	10s / 21s / 26s / 40s	40	40	13463034
DN20	DN20	PN40	4	10	Premio-pl 2,2	2.2	10s / 21s / 26s / 40s	40	40	13463035
DN20	DN20	PN40	6.3	10	Premio-pl 2,2	2.2	10s / 21s / 26s / 40s	40	40	13463036
DN25	DN25	PN40	0.1	10	Premio-pl 2,2	2.2	10s / 21s / 26s / 40s	40	40	13463037
DN25	DN25	PN40	0.16	10	Premio-pl 2,2	2.2	10s / 21s / 26s / 40s	40	40	13463038
DN25	DN25	PN40	0.25	10	Premio-pl 2,2	2.2	10s / 21s / 26s / 40s	40	40	13463039
DN25	DN25	PN40	0.4	10	Premio-pl 2,2	2.2	10s / 21s / 26s / 40s	40	40	13463040
DN25	DN25	PN40	0.63	10	Premio-pl 2,2	2.2	10s / 21s / 26s / 40s	40	40	13463041
DN25	DN25	PN40	1	10	Premio-pl 2,2	2.2	10s / 21s / 26s / 40s	40	40	13463042
DN25	DN25	PN40	1.6	10	Premio-pl 2,2	2.2	10s / 21s / 26s / 40s	40	40	13463043
DN25	DN25	PN40	2.5	10	Premio-pl 2,2	2.2	10s / 21s / 26s / 40s	40	40	13463044
DN25	DN25	PN40	4	10	Premio-pl 2,2	2.2	10s / 21s / 26s / 40s	40	40	13463045
DN25	DN25	PN40	6.3	10	Premio-pl 2,2	2.2	10s / 21s / 26s / 40s	40	40	13463046
DN25	DN25	PN40	10	10	Premio-pl 2,2	2.2	10s / 21s / 26s / 40s	40	40	13463047
DN32	DN32	PN40	1	10	Premio-pl 2,2	2.2	10s / 21s / 26s / 40s	40	40	13463048
DN32	DN32	PN40	1.6	10	Premio-pl 2,2	2.2	10s / 21s / 26s / 40s	40	40	13463049
DN32	DN32	PN40	2.5	10	Premio-pl 2,2	2.2	10s / 21s / 26s / 40s	40	40	13463050
DN32	DN32	PN40	4	10	Premio-pl 2,2	2.2	10s / 21s / 26s / 40s	40	40	13463051
DN32	DN32	PN40	6.3	10	Premio-pl 2,2	2.2	10s / 21s / 26s / 40s	40	40	13463052
DN32	DN32	PN40	10	10	Premio-pl 2,2	2.2	10s / 21s / 26s / 40s	40	40	13463053
DN32	DN32	PN40	16	15	Premio-pl 2,2	2.2	15s / 32s / 39s / 60s	28	28	13463054
DN32	DN32	PN40	16	15	Premio-pl 5	5	15s / 32s / 39s / 60s	40	40	13463055
DN40	DN40	PN40	6.3	10	Premio-pl 2,2	2.2	10s / 21s / 26s / 40s	40	40	13463056
DN40	DN40	PN40	10	10	Premio-pl 2,2	2.2	10s / 21s / 26s / 40s	40	40	13463057
DN40	DN40	PN40	16	15	Premio-pl 2,2	2.2	15s / 32s / 39s / 60s	28	28	13463058
DN40	DN40	PN40	16	15	Premio-pl 5	5	15s / 32s / 39s / 60s	40	40	13463060
DN40	DN40	PN40	25	15	Premio-pl 2,2	2.2	15s / 32s / 39s / 60s	17	17	13463059
DN40	DN40	PN40	25	15	Premio-pl 5	5	15s / 32s / 39s / 60s	30	40	13463061
DN50	DN50	PN40	10	10	Premio-pl 2,2	2.2	10s / 21s / 26s / 40s	40	40	13463062
DN50	DN50	PN40	16	15	Premio-pl 2,2	2.2	15s / 32s / 39s / 60s	28	28	13463063
DN50	DN50	PN40	16	15	Premio-pl 5	5	15s / 32s / 39s / 60s	40	40	13463066
DN50	DN50	PN40	25	15	Premio-pl 2,2	2.2	15s / 32s / 39s / 60s	17	17	13463064

Disclaimer: The content of this document has been composed with the utmost care. However, it is possible that certain information changes over time, becomes inaccurate or incomplete. ERIKS does not guarantee that the information provided on this document is up to date, accurate and complete; the information provided is not intended to be advice. ERIKS shall never be liable for damage resulting from the use of the information provided.

Nominal inner diameter	Connection size	Pressure rating flange	Kvs value	Stroke	Type coding actuator	Adjusting force	Operating time	Max. pressure difference in opened position	Closing pressure	Article
				mm				bar		
DN50	DN50	PN40	25	15	Premio-pl 5	5	15s / 32s / 39s / 60s	30	40	13463067
DN50	DN50	PN40	40	15	Premio-pl 2,2	2.2	15s / 32s / 39s / 60s	11	11	13463065
DN50	DN50	PN40	40	15	Premio-pl 5	5	15s / 32s / 39s / 60s	30	30	13463068
DN65	DN65	PN40	16	15	Premio-pl 5	5	15s / 32s / 39s / 60s	40	40	13463069
DN65	DN65	PN40	25	15	Premio-pl 5	5	15s / 32s / 39s / 60s	30	40	13463070
DN65	DN65	PN40	40	15	Premio-pl 5	5	15s / 32s / 39s / 60s	29	29	13463071
DN65	DN65	PN40	40	15	Premio-pl 15	15	19s / 39s / 48s / 75s	30	40	13463073
DN65	DN65	PN40	63	20	Premio-pl 5	5	20s / 43s / 53s / 80s	10	17	13463072
DN65	DN65	PN40	63	20	Premio-pl 15	15	25s / 53s / 65s / 100s	10	40	13463074
DN80	DN80	PN40	25	15	Premio-pl 5	5	15s / 32s / 39s / 60s	30	40	13463075
DN80	DN80	PN40	40	15	Premio-pl 5	5	15s / 32s / 39s / 60s	29	29	13463076
DN80	DN80	PN40	40	15	Premio-pl 15	15	19s / 39s / 48s / 75s	30	40	13463079
DN80	DN80	PN40	63	20	Premio-pl 5	5	20s / 43s / 53s / 80s	10	17	13463077
DN80	DN80	PN40	63	20	Premio-pl 15	15	25s / 53s / 65s / 100s	10	40	13463080
DN80	DN80	PN40	100	25	Premio-pl 5	5	25s / 53s / 66s / 100s	8	10	13463078
DN80	DN80	PN40	100	25	Premio-pl 15	15	32s / 66s / 81s / 125s	8	36	13463081
DN100	DN100	PN40	40	15	Premio-pl 5	5	15s / 32s / 39s / 60s	29	29	13463082
DN100	DN100	PN40	40	15	Premio-pl 15	15	19s / 39s / 48s / 75s	30	40	13463095
DN100	DN100	PN40	63	20	Premio-pl 5	5	20s / 43s / 53s / 80s	10	17	13463093
DN100	DN100	PN40	63	20	Premio-pl 15	15	25s / 53s / 65s / 100s	10	40	13463096
DN100	DN100	PN40	100	25	Premio-pl 5	5	25s / 53s / 66s / 100s	8	10	13463094
DN100	DN100	PN40	100	25	Premio-pl 15	15	32s / 66s / 81s / 125s	8	36	13463097
DN100	DN100	PN40	160	30	Premio-pl 15	15	38s / 79s / 97s / 150s	3	19	13463098

Disclaimer: The content of this document has been composed with the utmost care. However, it is possible that certain information changes over time, becomes inaccurate or incomplete. ERIKS does not guarantee that the information provided on this document is up to date, accurate and complete; the information provided is not intended to be advice. ERIKS shall never be liable for damage resulting from the use of the information provided.