



WIKA Immersion tube fig. 670 series TW45F stainless steel female-/male thread

Characteristics

Series: TW45F

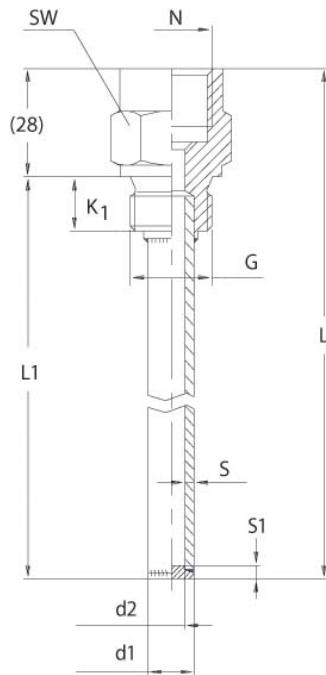
Type: 670

Model: Immersion tube

Process connection: External thread

Size process connection: 1/2" BSPP(G)

Pocket tube material: Stainless steel 316 Ti [1.4571]



Size table:

Article	G / N	d1	d2	K1	L	L1	S	S1	SW
		mm	mm	mm	mm	mm	mm	mm	mm
13224354	1/2"	10	8.2	14	91	63	0.9	1	27
13471052	1/2"	8	6.2	14	128	100	0.9	1	27
13471050	1/2"	10	8.2	14	128	100	0.9	1	27
13471049	1/2"	8	6.2	14	188	160	0.9	1	27

Insert length	Sensor diameter	Diameter pocket tube	Process connection material	Article
mm	mm	mm		
63	8	10	Stainless steel 316 Ti [1.4571]	13224354
100	6	8	Stainless steel 316 Ti [1.4571]	13471052
100	8	10	Stainless steel 316 Ti [1.4571]	13471050
160	6	8	Stainless steel 316 Ti [1.4571]	13471049

Disclaimer: The content of this document has been composed with the utmost care. However, it is possible that certain information changes over time, becomes inaccurate or incomplete. ERIKS does not guarantee that the information provided on this document is up to date, accurate and complete; the information provided is not intended to be advice. ERIKS shall never be liable for damage resulting from the use of the information provided.