



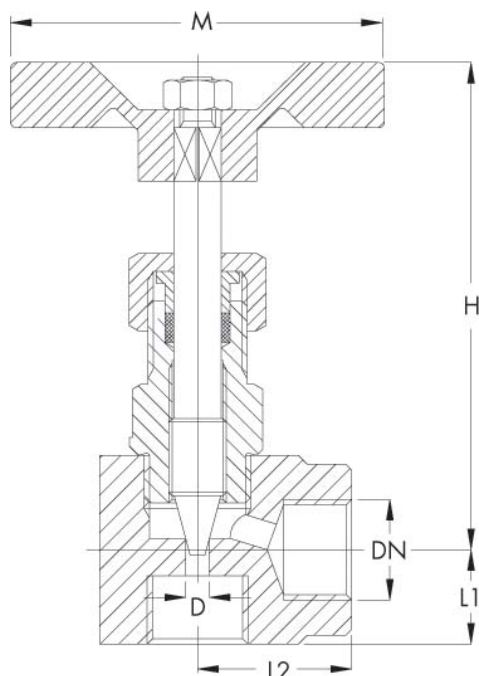
## ECON® Needle valve Type: 719 Brass Angle Pattern Hand wheel Internal thread (BSPP)

### Characteristics

**Type:** 719  
**Norm:** EN (DIN)  
**Construction type:** Angle pattern  
**Housing material:** Brass  
**Material quality:** CW614N  
**Connection:** Internal thread (BSPP)  
**Face to Face norm:** Manufacturer standard  
**Operation:** Hand wheel  
**Spindle material:** CW614N  
**Primary spindle seal material:** PTFE

### Characteristics [2]

**Actuator material:** Plastic  
**Minimum medium temperature (continuous):** -10 °C  
**Maximum medium temperature (continuous):** 150 °C  
**Maximum pressure difference at 20 °C:** 100 bar



### Size table:

DN	d	L1	L2	H	M	Weight
	mm	mm	mm	mm	mm	kg
1/4"	4	21.5	23	80	50	0.22
1/2"	6	17.5	30	92	65	0.36

### Max. working pressure

100 bar

40 bar

### Max. medium temperature

30°C

150°C

Nominal inner diameter	Pressure rating	Face to Face length	Valve bore	Kv value	Article
		mm	mm	m³/h	
1/4" [8]	PN100	23	4	0.3	EC0071901/4CB13
1/2" [15]	PN100	30	6	0.7	EC0071901/2CB13

Disclaimer: The content of this document has been composed with the utmost care. However, it is possible that certain information changes over time, becomes inaccurate or incomplete. ERIKS does not guarantee that the information provided on this document is up to date, accurate and complete; the information provided is not intended to be advice. ERIKS shall never be liable for damage resulting from the use of the information provided.