



ECON® Butterfly valve Type: 6333 Ductile cast iron/Stainless steel Gearbox Wafer type

Characteristics

- Type:** 6333
- Norm:** EN [DIN]
- Valve design:** Centric
- Housing material:** Ductile cast iron
- Material quality:** EN-JS1030
- Surface protection:** Epoxy coating [external]
- Connection:** Wafer type
- Standard connection:** EN [DIN]/ ASME
- Face to face norm:** EN 558, Series 20
- Operation:** Gearbox
- Top flange standard:** ISO 5211 Direct Mount
- Housing lining:** Replaceable
- Disk material:** Stainless steel
- Quality class disc:** 1.4408
- Actuator material:** EN-JS1030

Application

- Industrial applications such as water, hydrocarbons and slightly corrosive fluids and gases.
- Supply systems (HVAC).
- Recommended in: Chemical

Technical Information

- Fitted with replaceable lining.
- One-piece spindle in an anti-blowout design with a two-piece spindle from DN 350.
- With direct mount top-flange in accordance with ISO 5211.
- Three-point spindle bearing for excellent life cycle management.
- Grooved connection between spindle and valve disc.
- The body is provided with a two-layer epoxy coating with the upper layer in RAL 5015.
- With worm gearbox.
- Dimensions in DN 50-DN 600 [2" to 24"].
- Flange connection pressure class for DN 50-DN300 [2" to 12"]: PN 6, PN 10, PN 16 and class 150. For DN 350-DN 600 [14" to 24"]: PN 10, PN 16 and class 150.
- Maximum medium temperature depends on the lining: EPDM -10 to +140°C, NBR -10 to +100°C, FPM [FKM] -10 to +204°C.

Construction

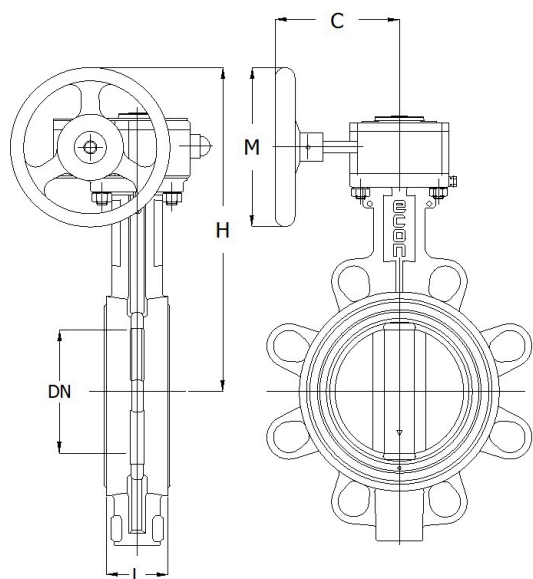
- Wafer connection type.
- Design according to EN 593, API 609 and ASME B16.34.
- The pressure class of the standard design is PN 16 for DN 50 to DN 200 and PN 10 for DN 250 to DN 600.
- Construction length according to EN 558 series 20, ISO 5752 series 20 and API 609 category A.
- Suitable for mounting with flanges according to EN 1092-2 and ASME B16.5 class 150.
- Bi-directional bubble-tight sealing according to EN 12266 rate A and API 598.

Options

- Available as a socket type [series 64].
- Equipped with lever and pneumatic, electric or hydraulic actuators.
- Position feedback for manually actuated or automated valves.
- Available with other lining materials: white EPDM EC1935, black EPDM EC1935, HNBR, silicone, CR [neoprene] and CSM [Hypalon].
- Available with valve disc in aluminium bronze, Hastelloy, Monel, Inconel, titanium or Uranus B.
- Available with a steel or stainless steel body.
- DN 250 to DN 600 in pressure class PN 16.
- The shut-off valve is also available in a design that meets the requirements of EC1935. This standard applies to all materials that come into direct or indirect contact with food.

Size table:

DN	C	H	L	M	Weight
	mm	mm	mm	mm	kg
DN50	100	220	43	100	4.9
DN65	100	232	46	100	5.6
DN80	100	239	46	100	6.6
DN100	100	258	52	100	7.5
DN125	159	294	56	125	11.1
DN150	159	307	56	125	13
DN200	159	369	60	125	18.1
DN250	159	415	68	200	25
DN300	265	508	78	315	40.5



Pressure and temperature range					
Size	Liner	Pressure rating	Temperature range	Maximum operating pressure	
DN50-DN200	NBR or EPDM	PN16	NBR -10°/+100°C, EPDM -10°/+140°C	16	[bar]
DN200-DN300	NBR or EPDM	PN10	NBR -10°/+100°C, EPDM -10°/+140°C	10	[bar]

Nominal inner diameter	Pressure rating	Pressure rating flange	Face to Face length	Material liner	Spindle material	Quality class spindle	Minimum medium temperature [continuous]	Maximum medium temperature [continuous]	Article
			mm				°C	°C	
DN50 - 2"	PN16	PN10	43	EPDM	Stainless steel	1.4006	-10	140	13450501
DN50 - 2"	PN16	PN10	43	NBR	Stainless steel	1.4006	-10	100	13450520
DN65 - 2.1/2"	PN16	PN10	46	EPDM	Stainless steel	1.4006	-10	140	13450502
DN65 - 2.1/2"	PN16	PN10	46	NBR	Stainless steel	1.4006	-10	100	13450521
DN80 - 3"	PN16	PN10	46	EPDM	Stainless steel	1.4006	-10	140	13450513
DN80 - 3"	PN16	PN10	46	NBR	Stainless steel	1.4006	-10	100	13450522
DN100 - 4"	PN16	PN10	52	EPDM	Stainless steel	1.4006	-10	140	13450514
DN100 - 4"	PN16	PN10	52	NBR	Stainless steel	1.4006	-10	100	13450523
DN125 - 5"	PN16	PN10	56	EPDM	Stainless steel	1.4006	-10	140	13450515
DN125 - 5"	PN16	PN10	56	NBR	Stainless steel	1.4006	-10	100	13450524
DN150 - 6"	PN16	PN10	56	EPDM	Stainless steel	1.4006	-10	140	13450516
DN150 - 6"	PN16	PN10	56	NBR	Stainless steel	1.4006	-10	100	13450525
DN200 - 8"	PN16	PN10	60	EPDM	Stainless steel	1.4006	-10	140	13450517
DN200 - 8"	PN16	PN10	60	NBR	Stainless steel	1.4006	-10	100	13450526
DN250 - 10"	PN10	PN10	68	EPDM	Stainless steel	1.4006	-10	140	13450518
DN250 - 10"	PN10	PN10	68	NBR	Stainless steel	1.4006	-10	100	13450527
DN300 - 12"	PN10	PN10	78	EPDM	Stainless steel	1.4006	-10	140	13450519
DN300 - 12"	PN10	PN10	78	NBR	Stainless steel	1.4006	-10	100	13450528

Disclaimer: The content of this document has been composed with the utmost care. However, it is possible that certain information changes over time, becomes inaccurate or incomplete. ERIKS does not guarantee that the information provided on this document is up to date, accurate and complete; the information provided is not intended to be advice. ERIKS shall never be liable for damage resulting from the use of the information provided.