



ASCO Solenoid valve 2/2 Type: 32325 series 238 brass internal thread

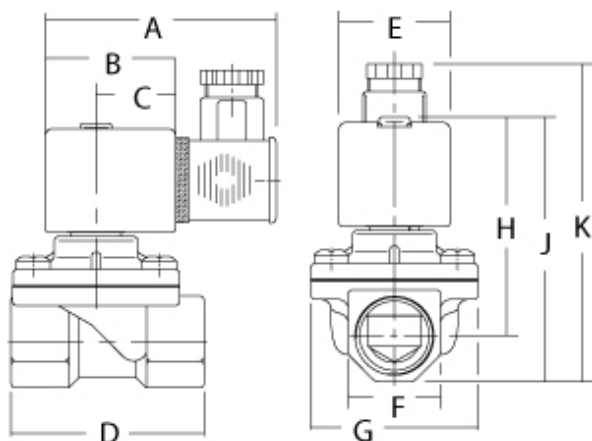
Characteristics

Series: 238
Type: 32325
Function: Normally closed [NC]
Actuation: Pilot operated hung diaphragm
Maximum pressure difference: 10 bar
Electrical connection: Plug EN 175301-803 type A
Max. viscosity: 40 mm²/s
Housing material: Brass
Sealing: NBR
Material coil housing: Epoxy
Material shorting ring: Copper

Membrane material: NBR
Working time: 100 %
Level of protection (IP value): IP65
Emergency manual operation: None
Explosion-proof: No
SIL certified: No
Medium temperature: From -20 °C to 85 °C

Application

- Recommended in: Utilities



Size table:

Orifice mm
12.5
19
25

Conn. ["]	Kv [m ³ /hr]	Coil type	Power	A [mm]	B mm	C mm	D mm	E mm	F mm	G mm	H mm	J mm	K mm	Weight [kg]
3/8- 1/2	2,1	SPC	35020 ~ 34 / 15,6 VA	81	45	27	52	39	27	37	72	85	104	0,55
3/8- 1/2	2,1	SPC	35021 <td> 15,3 Watt	81	45	27	52	39	27	37	72	85	104	0,55
3/4	4,5	SPC	35020 ~ 34 / 15,6 VA	81	45	27	67	39	32	58	76	92	111	0,7
3/4	4,5	SPC	35021 <td> 15,3 Watt	81	45	27	67	39	32	58	76	92	111	0,7
1	10	SPC	35021 ~ 30 / 22,5 VA	81	45	27	86	39	41	73	92	112	131	1,3
1	10	SPC	35021 <td> 15,3 Watt	81	45	27	86	39	41	73	92	112	131	1,3

Disclaimer: The content of this document has been composed with the utmost care. However, it is possible that certain information changes over time, becomes inaccurate or incomplete. ERIKS does not guarantee that the information provided on this document is up to date, accurate and complete; the information provided is not intended to be advice. ERIKS shall never be liable for damage resulting from the use of the information provided.

Conn.	Orifice	dP Min.	Max. differential pressure		Water		Light oil	
			Air/gas		[=DC]	[~AC]	[=DC]	[~AC]
			[=DC]	[~AC]	[=DC]	[~AC]		
["]	[mm]	[bar]	-	-	10	10	-	-
3/8	12,5	0	-	-	10	10	-	-
1/2	12,5	0	-	-	10	10	-	-
3/4	19	0	-	-	10	10	-	-
1	25	0	-	-	10	10	-	-
Medium temperature: -20° C tot 85°C								
Ambient temperature: -20° C tot 50°C								

Size process connection	Process connection	Orifice	Kvs value	Minimum pressure difference	Coil type	Supply voltage	Power	Starting power	Ambient temperature	Article
		mm	m³/h							
3/8" (10)	Internal thread (BSPP)	12.5	2.1	0	400325-242	24V DC	9.5 W [hot] - 15.3 W [cold]		From -20 °C to 50 °C	11394239
3/8" (10)	Internal thread (BSPP)	12.5	2.1	0	400325-117	230V AC	6 W / 15.6 VA	34 VA	From -20 °C to 75 °C	11394242
1/2" (15)	Internal thread (BSPP)	12.5	2.1	0	400325-101	24V AC	6 W / 15.6 VA	34 VA	From -20 °C to 75 °C	11331422
1/2" (15)	Internal thread (BSPP)	12.5	2.1	0	400325-242	24V DC	9.5 W [hot] - 15.3 W [cold]		From -20 °C to 50 °C	11399459
1/2" (15)	Internal thread (BSPP)	12.5	4.2	0	400325-242	24V DC	9.5 W [hot] - 15.3 W [cold]		From -20 °C to 50 °C	11338851
1/2" (15)	Internal thread (BSPP)	12.5	2.1	0	400325-117	230V AC	6 W / 15.6 VA	34 VA	From -20 °C to 75 °C	11348240
1/2" (15)	Internal thread (BSPP)	12.5	4.2	0	400325-117	230V AC	6 W / 15.6 VA	34 VA	From -20 °C to 75 °C	11352307
3/4" (20)	Internal thread (BSPP)	19	4.5	0	400325-101	24V AC	6 W / 15.6 VA	34 VA	From -20 °C to 75 °C	11423605
3/4" (20)	Internal thread (BSPP)	19	4.5	0	400325-242	24V DC	9.5 W [hot] - 15.3 W [cold]		From -20 °C to 50 °C	11362250
3/4" (20)	Internal thread (BSPP)	19	4.5	0	400325-117	230V AC	6 W / 15.6 VA	34 VA	From -20 °C to 75 °C	11343607
1" (25)	Internal thread (BSPP)	25	10	0	400325-201	24V AC	9 W / 22.5 VA	30 VA	From -20 °C to 50 °C	11423615
1" (25)	Internal thread (BSPP)	25	10	0	400325-242	24V DC	9.5 W [hot] - 15.3 W [cold]		From -20 °C to 75 °C	11377373
1" (25)	Internal thread (BSPP)	25	10	0	400325-217	230V AC	9 W / 22.5 VA	30 VA	From -20 °C to 50 °C	11323808

Disclaimer: The content of this document has been composed with the utmost care. However, it is possible that certain information changes over time, becomes inaccurate or incomplete. ERIKS does not guarantee that the information provided on this document is up to date, accurate and complete; the information provided is not intended to be advice. ERIKS shall never be liable for damage resulting from the use of the information provided.