



ARI Control valve two way Type 2832 series 22.448 cast ductile iron electric flange

Characteristics

Series: 22.448
Type: 2832
Housing material: Ductile cast iron
Material quality: EN-JS1049
Connection: Flange
Standard connection: EN 1092-1/02
Ground characteristic: Equal percentage
Plug: Parabolic cone
Control range: 50:1
Leakage class: IV EN60534-4
Stem seal type: Roof cuffs
Material bonnet: 1.0619+N
Material cone: 1.4021
Seat material: 1.4021
Spindle material: 1.4021
Secondary spindle seal material: PTFE
Bonnet gasket material: Graphite
Surface protection: Paint min. 30 µm
Type of actuator: Electrical
Supply voltage: 100 -240V AC
Zero-pressure return flow: None
Control signal: Three-point / 0 - 10 V / 4-20 mA
With feedback signal: No
Level of protection (IP value): IP65
With end contacts: No
Position indicator: Yes
Manual operation: Yes
Medium temperature: -10 / 220 °C
Ambient temperature: -20 / 70 °C

Application

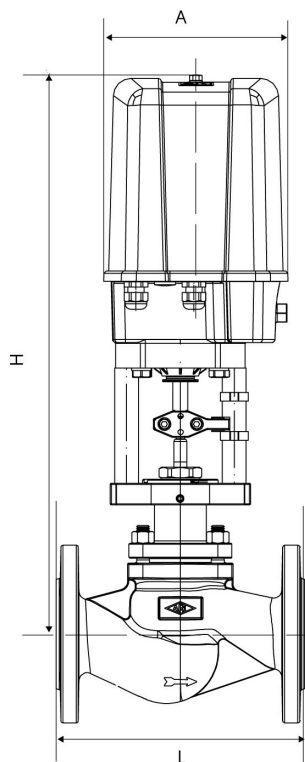
- Water.
- Steam.
- Coolant.
- Neutral liquids and gasses.

Technical Information

- Compact and variable design.
 - Robust cone guiding.
 - 360° Rotatable actuator.
 - Quick coupling between valve and actuator.
 - Large and accurate control range due to control ratio of 50:1.
 - Various Kvs-values.
 - Low leakage rate due to conical valve seal.
 - Equal percentage control characteristic.
 - Electrical Premio-Plus® actuator.
 - Integrated digital valve positioner.
 - Equipped with emergency manual operation.
- Maximum electrical power input:**
- 21 VA - Premio-plus 2,2.
 - 65 VA - Premio-plus 5, Premio-plus 12, Premio-plus 15.

Options

- With a stainless steel spindle bellow suited for thermic oils and volatile gases.
- Various sealing variants.



Size table:

DN	Actuator	A mm	H mm	L mm	Weight kg
DN15	Premio-pl 2,2	171	496	130	10
DN20	Premio-pl 2,2	171	496	150	11
DN25	Premio-pl 2,2	171	511	160	12
DN32	Premio-pl 2,2	171	511	180	14
DN32	Premio-pl 5	171	511	180	14
DN40	Premio-pl 2,2	171	526	200	16
DN40	Premio-pl 5	171	526	200	16
DN50	Premio-pl 2,2	171	533	230	19
DN50	Premio-pl 5	171	533	230	19
DN65	Premio-pl 5	171	550	290	25
DN65	Premio-pl 15	210	667	290	29
DN80	Premio-pl 5	171	572	310	32
DN80	Premio-pl 15	210	689	350	36
DN100	Premio-pl 5	171	588	350	44
DN100	Premio-pl 15	210	705	350	48

Nominal inner diameter	Connection size	Pressure rating flange	Kvs value	Stroke mm	Type coding actuator	Adjusting force kN	Operating time s	Max. pressure difference in opened position bar	Closing pressure bar	Article
DN15	DN15	PN40	0.1	10	Premio-pl 2,2	2.2	10s / 21s / 26s / 40s	40	40	13447349
DN15	DN15	PN40	0.16	10	Premio-pl 2,2	2.2	10s / 21s / 26s / 40s	40	40	13447350
DN15	DN15	PN40	0.25	10	Premio-pl 2,2	2.2	10s / 21s / 26s / 40s	40	40	13447351
DN15	DN15	PN40	0.4	10	Premio-pl 2,2	2.2	10s / 21s / 26s / 40s	40	40	13447352
DN15	DN15	PN40	0.63	10	Premio-pl 2,2	2.2	10s / 21s / 26s / 40s	40	40	13447363
DN15	DN15	PN40	1	10	Premio-pl 2,2	2.2	10s / 21s / 26s / 40s	40	40	13447364
DN15	DN15	PN40	1.6	10	Premio-pl 2,2	2.2	10s / 21s / 26s / 40s	40	40	13447365
DN15	DN15	PN40	2.5	10	Premio-pl 2,2	2.2	10s / 21s / 26s / 40s	40	40	13447366
DN15	DN15	PN40	4	10	Premio-pl 2,2	2.2	10s / 21s / 26s / 40s	40	40	13447367
DN20	DN20	PN40	0.1	10	Premio-pl 2,2	2.2	10s / 21s / 26s / 40s	40	40	13447368
DN20	DN20	PN40	0.16	10	Premio-pl 2,2	2.2	10s / 21s / 26s / 40s	40	40	13447369
DN20	DN20	PN40	0.25	10	Premio-pl 2,2	2.2	10s / 21s / 26s / 40s	40	40	13447370
DN20	DN20	PN40	0.4	10	Premio-pl 2,2	2.2	10s / 21s / 26s / 40s	40	40	13447371
DN20	DN20	PN40	0.63	10	Premio-pl 2,2	2.2	10s / 21s / 26s / 40s	40	40	13447372
DN20	DN20	PN40	1	10	Premio-pl 2,2	2.2	10s / 21s / 26s / 40s	40	40	13447373
DN20	DN20	PN40	1.6	10	Premio-pl 2,2	2.2	10s / 21s / 26s / 40s	40	40	13447374

Disclaimer: The content of this document has been composed with the utmost care. However, it is possible that certain information changes over time, becomes inaccurate or incomplete. ERIKS does not guarantee that the information provided on this document is up to date, accurate and complete; the information provided is not intended to be advice. ERIKS shall never be liable for damage resulting from the use of the information provided.

Nominal inner diameter	Connection size	Pressure rating flange	Kvs value	Stroke	Type coding actuator	Adjusting force	Operating time	Max. pressure difference in opened position	Closing pressure	Article
				mm				bar		
DN20	DN20	PN40	2.5	10	Premio-pl 2,2	2.2	10s / 21s / 26s / 40s	40	40	13447375
DN20	DN20	PN40	4	10	Premio-pl 2,2	2.2	10s / 21s / 26s / 40s	40	40	13447376
DN20	DN20	PN40	6.3	10	Premio-pl 2,2	2.2	10s / 21s / 26s / 40s	40	40	13447377
DN25	DN25	PN40	0.1	10	Premio-pl 2,2	2.2	10s / 21s / 26s / 40s	40	40	13447378
DN25	DN25	PN40	0.16	10	Premio-pl 2,2	2.2	10s / 21s / 26s / 40s	40	40	13447379
DN25	DN25	PN40	0.25	10	Premio-pl 2,2	2.2	10s / 21s / 26s / 40s	40	40	13447380
DN25	DN25	PN40	0.4	10	Premio-pl 2,2	2.2	10s / 21s / 26s / 40s	40	40	13447381
DN25	DN25	PN40	0.63	10	Premio-pl 2,2	2.2	10s / 21s / 26s / 40s	40	40	13447382
DN25	DN25	PN40	1	10	Premio-pl 2,2	2.2	10s / 21s / 26s / 40s	40	40	13447383
DN25	DN25	PN40	1.6	10	Premio-pl 2,2	2.2	10s / 21s / 26s / 40s	40	40	13447384
DN25	DN25	PN40	2.5	10	Premio-pl 2,2	2.2	10s / 21s / 26s / 40s	40	40	13447385
DN25	DN25	PN40	4	10	Premio-pl 2,2	2.2	10s / 21s / 26s / 40s	40	40	13447386
DN25	DN25	PN40	6.3	10	Premio-pl 2,2	2.2	10s / 21s / 26s / 40s	40	40	13447387
DN25	DN25	PN40	10	10	Premio-pl 2,2	2.2	10s / 21s / 26s / 40s	40	40	13447388
DN32	DN32	PN40	1	10	Premio-pl 2,2	2.2	10s / 21s / 26s / 40s	40	40	13447389
DN32	DN32	PN40	1.6	10	Premio-pl 2,2	2.2	10s / 21s / 26s / 40s	40	40	13447390
DN32	DN32	PN40	2.5	10	Premio-pl 2,2	2.2	10s / 21s / 26s / 40s	40	40	13447391
DN32	DN32	PN40	4	10	Premio-pl 2,2	2.2	10s / 21s / 26s / 40s	40	40	13447392
DN32	DN32	PN40	6.3	10	Premio-pl 2,2	2.2	10s / 21s / 26s / 40s	40	40	13447393
DN32	DN32	PN40	10	10	Premio-pl 2,2	2.2	10s / 21s / 26s / 40s	40	40	13447394
DN32	DN32	PN40	16	15	Premio-pl 2,2	2.2	15s / 32s / 39s / 60s	28	28	13447395
DN32	DN32	PN40	16	15	Premio-pl 5	5	15s / 32s / 39s / 60s	40	40	13447396
DN40	DN40	PN40	6.3	10	Premio-pl 2,2	2.2	10s / 21s / 26s / 40s	40	40	13447397
DN40	DN40	PN40	10	10	Premio-pl 2,2	2.2	10s / 21s / 26s / 40s	40	40	13447398
DN40	DN40	PN40	16	15	Premio-pl 2,2	2.2	15s / 32s / 39s / 60s	28	28	13447399
DN40	DN40	PN40	16	15	Premio-pl 5	5	15s / 32s / 39s / 60s	40	40	13447401
DN40	DN40	PN40	25	15	Premio-pl 2,2	2.2	15s / 32s / 39s / 60s	17	17	13447400
DN40	DN40	PN40	25	15	Premio-pl 5	5	15s / 32s / 39s / 60s	30	40	13447402
DN50	DN50	PN40	10	10	Premio-pl 2,2	2.2	10s / 21s / 26s / 40s	40	40	13447403
DN50	DN50	PN40	16	15	Premio-pl 2,2	2.2	15s / 32s / 39s / 60s	28	28	13447404
DN50	DN50	PN40	16	15	Premio-pl 5	5	15s / 32s / 39s / 60s	40	40	13447407
DN50	DN50	PN40	25	15	Premio-pl 2,2	2.2	15s / 32s / 39s / 60s	17	17	13447405
DN50	DN50	PN40	25	15	Premio-pl 5	5	15s / 32s / 39s / 60s	30	40	13447408

Disclaimer: The content of this document has been composed with the utmost care. However, it is possible that certain information changes over time, becomes inaccurate or incomplete. ERIKS does not guarantee that the information provided on this document is up to date, accurate and complete; the information provided is not intended to be advice. ERIKS shall never be liable for damage resulting from the use of the information provided.

Nominal inner diameter	Connection size	Pressure rating flange	Kvs value	Stroke	Type coding actuator	Adjusting force	Operating time	Max. pressure difference in opened position	Closing pressure	Article
				mm				bar		
DN50	DN50	PN40	40	15	Premio-pl 2,2	2.2	15s / 32s / 39s / 60s	11	11	13447406
DN50	DN50	PN40	40	15	Premio-pl 5	5	15s / 32s / 39s / 60s	30	30	13447409
DN65	DN65	PN25	16	15	Premio-pl 5	5	15s / 32s / 39s / 60s	25	25	13447410
DN65	DN65	PN25	25	15	Premio-pl 5	5	15s / 32s / 39s / 60s	25	25	13447411
DN65	DN65	PN25	40	15	Premio-pl 5	5	15s / 32s / 39s / 60s	25	25	13447412
DN65	DN65	PN25	63	20	Premio-pl 5	5	20s / 43s / 53s / 80s	10	17	13447413
DN65	DN65	PN25	63	20	Premio-pl 15	15	25s / 53s / 65s / 100s	10	25	13447414
DN80	DN80	PN25	25	15	Premio-pl 5	5	15s / 32s / 39s / 60s	25	25	13447415
DN80	DN80	PN25	40	15	Premio-pl 5	5	15s / 32s / 39s / 60s	25	25	13447416
DN80	DN80	PN25	63	20	Premio-pl 5	5	20s / 43s / 53s / 80s	10	17	13447417
DN80	DN80	PN25	63	20	Premio-pl 15	15	25s / 53s / 65s / 100s	10	25	13447419
DN80	DN80	PN25	100	25	Premio-pl 5	5	25s / 53s / 66s / 100s	8	10	13447418
DN80	DN80	PN25	100	25	Premio-pl 15	15	32s / 66s / 81s / 125s	8	25	13447420
DN100	DN100	PN25	40	15	Premio-pl 5	5	15s / 32s / 39s / 60s	25	25	13447421
DN100	DN100	PN25	63	20	Premio-pl 5	5	20s / 43s / 53s / 80s	10	17	13447422
DN100	DN100	PN25	100	25	Premio-pl 5	5	25s / 53s / 66s / 100s	8	10	13447423
DN100	DN100	PN25	100	25	Premio-pl 15	15	32s / 66s / 81s / 125s	8	25	13447424
DN100	DN100	PN25	160	30	Premio-pl 15	15	38s / 79s / 97s / 150s	3	19	13447425

Disclaimer: The content of this document has been composed with the utmost care. However, it is possible that certain information changes over time, becomes inaccurate or incomplete. ERIKS does not guarantee that the information provided on this document is up to date, accurate and complete; the information provided is not intended to be advice. ERIKS shall never be liable for damage resulting from the use of the information provided.