

## NORIS Sight glass device Series: 881 Type: 3885 Stainless steel Internal thread (BSPP) PN16/40

Stainless steel sight glass with threaded connection, pressure class PN16 or PN40.



### Characteristics

**Series:** 881

**Type:** 3885

**Norm:** EN (DIN)

**Housing material:** Stainless steel

**Material quality:** 1.4408

**Surface protection:** Manufacturer standard

**Connection:** Internal thread (BSPP)

**Standard thread connection:** ISO 228-1

**Face to face norm:** Manufacturer standard

**Material cover:** Stainless steel

**Material cover gasket:** Graphite

**Material flow indicator:** Stainless steel

**Maximum medium temperature (continuous):** 280 °C

### Application

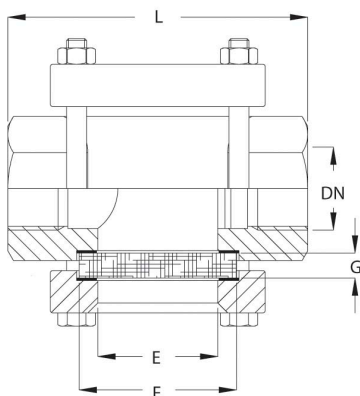
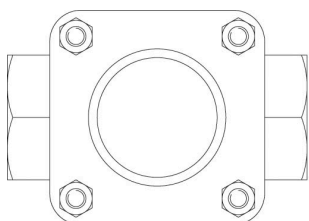
- Visual control of flow in pipelines with corrosive media.
- General industry.

### Technical Information

- Please be advised to check the torques of the bolting, both before commissioning as well after the 1<sup>st</sup> heat cycle of the installation, due to possible occurrence of relaxation (manual on request)
- Maximum temperature of soda-lime glass [DIN 8902]: 150°C.
- Maximum temperature of borosilicate glass [DIN 7080]: 280°C.
- Thickness of the glass partly determines the pressure class.
- Suitable for mounting in horizontal and vertical pipes.
- Pay attention to flow direction because of the operation of flow indicator.

### Options

- Available with thread connection NPT.
- Available with lighting.
- Available with plastic or PTFE spinner.



### Size table:

DN	L	E	F	G	Weight
	mm	mm	mm	mm	kg
1/4" [8]	100	32	45	10	2.2
1/2" [15]	100	32	45	10	2.2
3/4" [20]	120	48	63	10	3.5
1" [25]	120	48	63	10	3.5
1.1/4" [32]	160	65	80	12	7
1.1/2" [40]	160	65	80	12	7
2" [50]	230	80	100	15	10.5

Disclaimer: The content of this document has been composed with the utmost care. However, it is possible that certain information changes over time, becomes inaccurate or incomplete. ERIKS does not guarantee that the information provided on this document is up to date, accurate and complete; the information provided is not intended to be advice. ERIKS shall never be liable for damage resulting from the use of the information provided.

Nominal inner diameter	Pressure rating	Face to Face length	Type of flow indicator	Glass diameter	Glass thickness	Number of glasses	Material glass	Minimum medium temperature (continuous)	Maximum pressure difference at 20 °C	Article
		mm		mm	mm			°C	bar	
1/4" [8]	PN40	100	Driptube	45	10	2	Borosilicate	-10	40	13483508
1/4" [8]	PN40	100	Vane	45	10	2	Borosilicate	-10	40	14583594
1/2" [15]	PN40	100	Driptube	45	10	2	Borosilicate	-10	40	13401983
1/2" [15]	PN40	100	Vane	45	10	2	Borosilicate	-10	40	12586117
3/4" [20]	PN16	120	Driptube	63	10	2	Borosilicate	-10	16	13223642
3/4" [20]	PN16	120	Vane	63	10	2	Borosilicate	-10	16	12522123
1" [25]	PN16	120	Driptube	63	10	2	Borosilicate	-10	16	12155442
1" [25]	PN16	120	Vane	63	10	2	Borosilicate	-10	16	13036445
1.1/4" [32]	PN16	160	Driptube	80	12	2	Borosilicate	-10	16	13401973
1.1/4" [32]	PN16	160	Vane	80	12	2	Borosilicate	-10	16	13401981
1.1/2" [40]	PN16	160	Driptube	80	12	2	Borosilicate	-10	16	13401939
1.1/2" [40]	PN16	160	Vane	80	12	2	Borosilicate	-10	16	13401984
2" [50]	PN16	230	Driptube	100	15	2	Borosilicate	-10	16	13401940
2" [50]	PN16	230	Vane	100	15	2	Borosilicate	-10	16	13401942

Disclaimer: The content of this document has been composed with the utmost care. However, it is possible that certain information changes over time, becomes inaccurate or incomplete. ERIKS does not guarantee that the information provided on this document is up to date, accurate and complete; the information provided is not intended to be advice. ERIKS shall never be liable for damage resulting from the use of the information provided.