



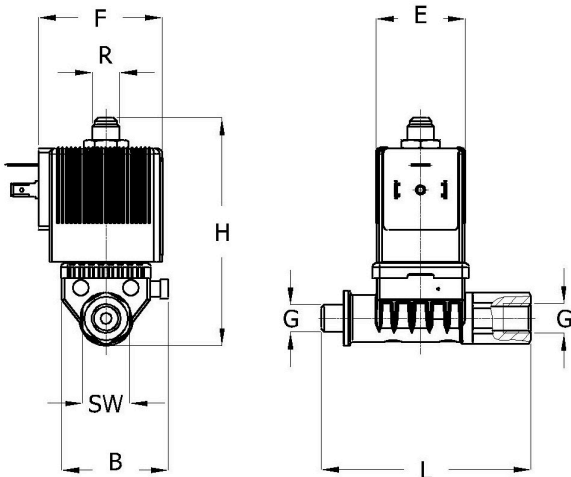
BURKERT Pilot valve 3/2 fig. 33061 series 6014 banjo assembling bolt

Characteristics

Series: 6014
Type: 33061
Model: Pilot valve 3/2 way
Function: Normally closed (NC)
Actuation: Direct-acting
Electrical connection: Plug EN 175301-803 type A
Including plug: No
Orifice: 2 mm
Kvs value: 0.086 m³/h
Max. viscosity: 21 mm²/s
Minimum pressure difference: 0 bar
Maximum pressure difference: 10 bar
Housing material: PPS
Material quality: CW617N [CuZn40Pb2]
Sealing: FPM (FKM)

Characteristics [2]

Material coil housing: Polyamide
Material shorting ring: Copper
Working time: 100 %
Level of protection (IP value): IP65
Emergency manual operation: Yes
Explosion-proof: No
SIL certified: No
Medium temperature: From -10 °C to 100 °C
Ambient temperature: From -10 °C to 55 °C



Size table:

Connection	G	B	E	H	L	R	SW
		mm	mm	mm	mm		mm
Banjo	1/4"	38.5	40	82.8	76	1/8"	17

Process connection	Size process connection	Air supply connection	Size of air supply connection	Connection air exhaust(s)	Coil type	Supply voltage	Frequency	Power	Starting power	Article
External thread (Banjo)	1/4" [8]	Internal thread [BSPP]	1/4" [8]	M5	SPC 35160	24V AC		8 W / 17 VA	24 VA	14434887
External thread (Banjo)	1/4" [8]	Internal thread [BSPP]	1/4" [8]	M5	SPC 35160	24V DC		8 W	-	14434886
External thread (Banjo)	1/4" [8]	Internal thread [BSPP]	1/4" [8]	M5	SPC 35160	230V AC	50Hz	8 W / 17 VA	24 VA	14429878

Disclaimer: The content of this document has been composed with the utmost care. However, it is possible that certain information changes over time, becomes inaccurate or incomplete. ERIKS does not guarantee that the information provided on this document is up to date, accurate and complete; the information provided is not intended to be advice. ERIKS shall never be liable for damage resulting from the use of the information provided.