



ARI Pneumatic actuated control valve Type: 2534 Series: 55.448 Stainless steel Flange

Characteristics

Series: 55.448
Type: 2534
Function: Control valve
Construction type: Straight
Housing material: Stainless steel
Material quality: 1.4408
Process connection: Flange
Standard connection: EN 1092-1
Ground characteristic: Equal percentage
Plug: Parabolic cone
Control range: 50:1
Leakage class: IV according IEC 60534-4
Stem seal type: Roof cuffs
Material bonnet: Stainless steel 316 [1.4408]
Material cone: Stainless steel 316 Ti [1.4571]
Seat material: Stainless steel 316 Ti [1.4571]
Spindle material: Stainless steel 316 Ti [1.4571]
Primary spindle seal material: PTFE
Bonnet gasket material: Graphite
Type of actuator: Pneumatic
Function actuator: Spring closing
Positioner: ECON 3301
Control signal: 4 - 20 mA
With feedback signal: No
Explosion-proof: No
Level of protection (IP value): IP66
With end contacts: No
Position indicator: Yes
Manual operation: No
Medium temperature: -10 / 220 °C
Ambient temperature: -10 / 85 °C

Application

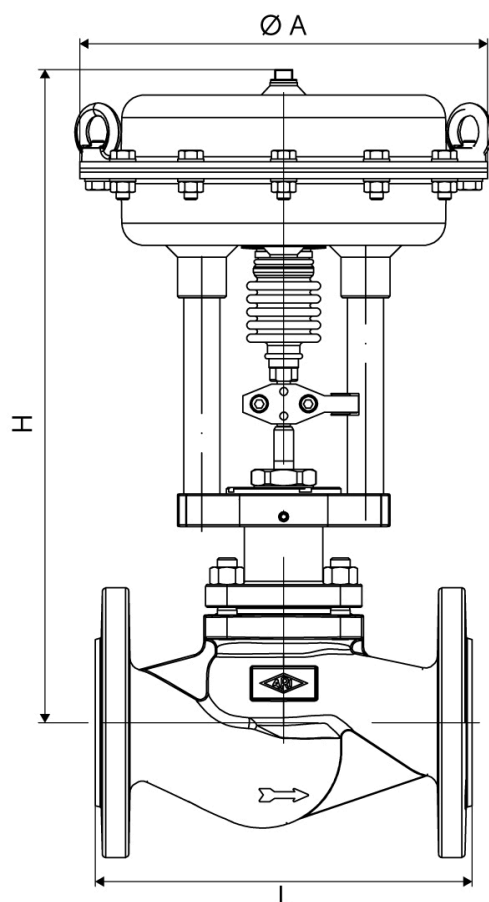
- Precise controlling of: Water.
- Steam.
- Coolant.
- Neutral fluids and gases.

Technical Information

- Compact and variable design.
- Robust cone guiding.
- 360° Rotatable actuator.
- Quick coupling between valve and actuator.
- Large and accurate control range due to control ratio of 50:1.
- Various Kvs-values.
- Low leakage rate due to conical valve seal.
- Equal percentage control characteristic.
- Pneumatic DP® spring return actuator.
- Econ® series 3300 digital valve positioner.
- Manufacturers declaration regarding ATEX2014/34/ EU available.

Options

- With a stainless steel spindle bellow suited for thermic oils and volatile gases.
- Various sealing variants.
- Positioner in explosion-proof version Ex-ia.
- Positioner with feedback 4 - 20 mA and HART.



Size table:

DN	Actuator	A mm	H mm	L mm	Weight kg
DN15	DP30	168	354	130	11
DN20	DP30	168	354	150	12
DN25	DP30	168	369	180	13
DN32	DP30	168	369	180	15
DN32	DP32	250	378	180	20
DN40	DP30	168	384	200	17
DN40	DP32	250	393	200	22
DN50	DP30	168	391	230	20
DN50	DP32	250	400	230	25
DN65	DP32	250	407	290	31
DN65	DP33	300	458	290	37
DN65	DP34	405	527	290	67
DN80	DP32	250	429	310	38
DN80	DP33	300	480	310	44
DN80	DP34	405	549	310	74
DN100	DP32	250	445	350	50
DN100	DP33	300	496	350	56
DN100	DP33	300	496	290	56
DN100	DP34	405	565	350	86

Nominal inner diameter	Size process connection	Pressure rating	Pressure rating flange	Kvs value	Stroke	Type coding actuator	Diaphragm area	Max. pressure difference in opened position	Closing pressure	Article
				m ³ /h						
DN15	DN15	PN40	PN40	0.1	10	DP30	80	40	40	13534767
DN15	DN15	PN40	PN40	0.16	10	DP30	80	40	40	13534768
DN15	DN15	PN40	PN40	0.25	10	DP30	80	40	40	13534769
DN15	DN15	PN40	PN40	0.4	10	DP30	80	40	40	13534770
DN15	DN15	PN40	PN40	0.63	10	DP30	80	40	40	13534771
DN15	DN15	PN40	PN40	1	10	DP30	80	40	40	13534772
DN15	DN15	PN40	PN40	1.6	10	DP30	80	40	40	13534773
DN15	DN15	PN40	PN40	2.5	10	DP30	80	40	40	13534774
DN15	DN15	PN40	PN40	4	10	DP30	80	40	40	13534775
DN20	DN20	PN40	PN40	0.1	10	DP30	80	40	40	13534776
DN20	DN20	PN40	PN40	0.16	10	DP30	80	40	40	13534777
DN20	DN20	PN40	PN40	0.25	10	DP30	80	40	40	13534778
DN20	DN20	PN40	PN40	0.4	10	DP30	80	40	40	13534779
DN20	DN20	PN40	PN40	0.63	10	DP30	80	40	40	13534780
DN20	DN20	PN40	PN40	1	10	DP30	80	40	40	13534781
DN20	DN20	PN40	PN40	1.6	10	DP30	80	40	40	13534782
DN20	DN20	PN40	PN40	2.5	10	DP30	80	40	40	13534783
DN20	DN20	PN40	PN40	4	10	DP30	80	40	40	13534784
DN20	DN20	PN40	PN40	6.3	10	DP30	80	40	40	13534785
DN25	DN25	PN40	PN40	1	10	DP30	80	40	40	13534786

Disclaimer: The content of this document has been composed with the utmost care. However, it is possible that certain information changes over time, becomes inaccurate or incomplete. ERIKS does not guarantee that the information provided on this document is up to date, accurate and complete; the information provided is not intended to be advice. ERIKS shall never be liable for damage resulting from the use of the information provided.

Control valves | Pneumatic operated control valves

Nominal inner diameter	Size process connection	Pressure rating	Pressure rating flange	Kvs value	Stroke	Type coding actuator	Diaphragm area	Max. pressure difference in opened position	Closing pressure	Article
				m ³ /h	mm			bar		
DN25	DN25	PN40	PN40	1.6	10	DP30	80	40	40	13534787
DN25	DN25	PN40	PN40	2.5	10	DP30	80	40	40	13534788
DN25	DN25	PN40	PN40	4	10	DP30	80	40	40	13534789
DN25	DN25	PN40	PN40	6.3	10	DP30	80	40	40	13534790
DN25	DN25	PN40	PN40	10	10	DP30	80	40	40	13534791
DN32	DN32	PN40	PN40	1	10	DP30	80	40	40	13534792
DN32	DN32	PN40	PN40	1.6	10	DP30	80	40	40	13534793
DN32	DN32	PN40	PN40	2.5	10	DP30	80	40	40	13534794
DN32	DN32	PN40	PN40	4	10	DP30	80	40	40	13534795
DN32	DN32	PN40	PN40	6.3	10	DP30	80	40	40	13534796
DN32	DN32	PN40	PN40	10	10	DP30	80	40	40	13534797
DN32	DN32	PN40	PN40	16	15	DP32	250	40	40	13534798
DN40	DN40	PN40	PN40	6.3	10	DP30	80	40	40	13534799
DN40	DN40	PN40	PN40	10	10	DP30	80	40	40	13534800
DN40	DN40	PN40	PN40	16	15	DP32	250	40	40	13534801
DN40	DN40	PN40	PN40	25	15	DP32	250	30	40	13534802
DN50	DN50	PN40	PN40	10	10	DP30	80	40	40	13534803
DN50	DN50	PN40	PN40	16	15	DP32	250	40	40	13534804
DN50	DN50	PN40	PN40	25	15	DP32	250	30	40	13534805
DN50	DN50	PN40	PN40	40	15	DP32	250	28	28	13534806
DN65	DN65	PN40	PN40	16	15	DP32	250	40	40	13534807
DN65	DN65	PN40	PN40	25	15	DP32	250	30	40	13534808
DN65	DN65	PN40	PN40	40	15	DP32	250	28	28	13534809
DN65	DN65	PN40	PN40	40	15	DP33	400	30	40	13534810
DN65	DN65	PN40	PN40	63	20	DP33	400	10	25	13534811
DN65	DN65	PN40	PN40	63	20	DP34	800	10	40	13534812
DN80	DN80	PN40	PN40	25	15	DP32	250	30	40	13534813
DN80	DN80	PN40	PN40	40	15	DP32	250	28	28	13534814
DN80	DN80	PN40	PN40	40	15	DP33	400	30	40	13534815
DN80	DN80	PN40	PN40	63	20	DP33	400	10	25	13534816
DN80	DN80	PN40	PN40	63	20	DP34	800	10	40	13534817
DN80	DN80	PN40	PN40	100	25	DP33	400	8	16	13534818
DN80	DN80	PN40	PN40	100	25	DP34	800	8	32	13534819
DN100	DN100	PN40	PN40	40	15	DP32	250	28	28	13534820
DN100	DN100	PN40	PN40	40	15	DP33	400	30	40	13534821
DN100	DN100	PN40	PN40	63	20	DP33	400	10	25	13534822
DN100	DN100	PN40	PN40	63	20	DP34	800	10	40	13534823
DN100	DN100	PN40	PN40	100	25	DP33	400	8	16	13534824
DN100	DN100	PN40	PN40	100	25	DP34	800	8	32	13534825
DN100	DN100	PN40	PN40	160	30	DP33	400	3	8	13534826
DN100	DN100	PN40	PN40	160	30	DP34	800	3	17	13534827

Disclaimer: The content of this document has been composed with the utmost care. However, it is possible that certain information changes over time, becomes inaccurate or incomplete. ERIKS does not guarantee that the information provided on this document is up to date, accurate and complete; the information provided is not intended to be advice. ERIKS shall never be liable for damage resulting from the use of the information provided.