

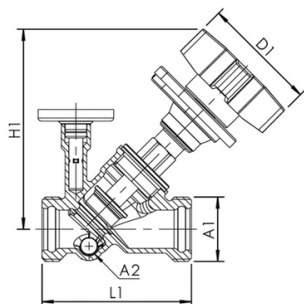


KEMPER Regulating valve Series: 150 6G Type: 2429KB Static Bronze KIWA External thread (BSPP)

Bronze regulating- or commisioning valve with threaded connection in PN25.

Area of application

- Heating and cooling systems.
- Industrial applications.
- Installation technique.



Details

- Adjustable Kv values.
- With measuring nipples.
- Oventrop Hydrocontrol VTR.
- Pressure difference and capacity can be measured by a measurement computer.
- Only type: 2612 has a fill/drain connection.

Characteristics

Series: 150 6G

Type: 2429KB

Housing material: Bronze

Material quality: CuSn5Zn5Pb2

Connection: External thread (BSPP)

Type of control gear: Static

Application: CH water and tapwater

With measuring nipples: No

Material bonnet: CC491K

Maximum medium temperature (continuous): 100 °C

KIWA: Yes

With thermometer: Yes

With position indicator: Yes

Application

- Recommended in: Utilities

Nominal inner diameter	Pressure rating	Kvs value m ³ /h	Sealing	Article
2" [50]	PN16	11.3	PTFE	13389153
DN15	PN16	5	PTFE	13389139
DN20	PN16	6.4	PTFE	13389140
DN25	PN16	10.05	PTFE	13389141
DN32	PN16	10.5	PTFE	13368500
DN40	PN16	11	PTFE	13389142

Disclaimer: The content of this document has been composed with the utmost care. However, it is possible that certain information changes over time, becomes inaccurate or incomplete. ERIKS does not guarantee that the information provided on this document is up to date, accurate and complete; the information provided is not intended to be advice. ERIKS shall never be liable for damage resulting from the use of the information provided.