



## ARI Control valve two way Type 2833 series 35.448 steel electric flange

### Characteristics

**Series:** 35.448  
**Type:** 2833  
**Housing material:** Cast steel  
**Material quality:** 1.0619+N  
**Connection:** Flange  
**Standard connection:** EN 1092-1/02  
**Ground characteristic:** Equal percentage  
**Plug:** Parabolic cone  
**Control range:** 50:1  
**Leakage class:** IV EN60534-4  
**Stem seal type:** Roof cuffs  
**Material bonnet:** 1.0619+N  
**Material cone:** 1.4021  
**Seat material:** 1.4021  
**Spindle material:** 1.4021  
**Secondary spindle seal material:** PTFE  
**Bonnet gasket material:** Graphite  
**Surface protection:** Paint min. 30 µm  
**Type of actuator:** Electrical  
**Supply voltage:** 100 -240V AC  
**Zero-pressure return flow:** None  
**Control signal:** Three-point / 0 - 10 V / 4-20 mA  
**With feedback signal:** No  
**Level of protection (IP value):** IP65  
**With end contacts:** No  
**Position indicator:** Yes  
**Manual operation:** Yes  
**Medium temperature:** -10 / 220 °C  
**Ambient temperature:** -20 / 70 °C

### Application

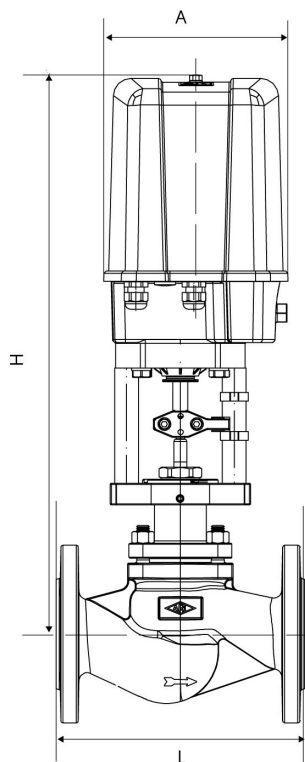
- Water.
- Steam.
- Coolant.
- Thermic oils.
- Neutral liquids and gasses.

### Technical Information

- Compact and variable design.
  - Robust cone guiding.
  - 360° Rotatable actuator.
  - Quick coupling between valve and actuator.
  - Large and accurate control range due to control ratio of 50:1.
  - Various Kvs-values.
  - Low leakage rate due to conical valve seal.
  - Equal percentage control characteristic.
  - Electrical Premio-Plus® actuator.
  - Integrated digital valve positioner.
  - Equipped with emergency manual operation.
- Maximum electrical power input:**
- 21 VA - Premio-plus 2,2.
  - 65 VA - Premio-plus 5, Premio-plus 12, Premio-plus 15.

### Options

- With a stainless steel spindle bellow suited for thermic oils and volatile gases.
- Various sealing variants.



Size table:

| DN    | Actuator      | A<br>mm | H<br>mm | L<br>mm | Weight<br>kg |
|-------|---------------|---------|---------|---------|--------------|
| DN15  | Premio-pl 2,2 | 171     | 496     | 130     | 10           |
| DN20  | Premio-pl 2,2 | 171     | 496     | 150     | 11           |
| DN25  | Premio-pl 2,2 | 171     | 511     | 160     | 12           |
| DN32  | Premio-pl 2,2 | 171     | 511     | 180     | 14           |
| DN32  | Premio-pl 5   | 171     | 511     | 180     | 14           |
| DN40  | Premio-pl 2,2 | 171     | 526     | 200     | 16           |
| DN40  | Premio-pl 5   | 171     | 526     | 200     | 16           |
| DN50  | Premio-pl 2,2 | 171     | 533     | 230     | 19           |
| DN50  | Premio-pl 5   | 171     | 533     | 230     | 19           |
| DN65  | Premio-pl 5   | 171     | 550     | 290     | 25           |
| DN65  | Premio-pl 15  | 210     | 667     | 290     | 29           |
| DN80  | Premio-pl 5   | 171     | 572     | 310     | 32           |
| DN80  | Premio-pl 15  | 210     | 689     | 350     | 36           |
| DN100 | Premio-pl 5   | 171     | 588     | 350     | 44           |
| DN100 | Premio-pl 15  | 210     | 705     | 350     | 48           |

| Nominal inner diameter | Connection size | Pressure rating flange | Kvs value | Stroke<br>mm | Type coding actuator | Adjusting force<br>kN | Operating time<br>s   | Max. pressure difference in opened position<br>bar | Closing pressure<br>bar | Article  |
|------------------------|-----------------|------------------------|-----------|--------------|----------------------|-----------------------|-----------------------|----------------------------------------------------|-------------------------|----------|
|                        |                 |                        |           |              |                      |                       |                       |                                                    |                         |          |
| DN15                   | DN15            | PN40                   | 0.1       | 10           | Premio-pl 2,2        | 2.2                   | 10s / 21s / 26s / 40s | 40                                                 | 40                      | 13424965 |
| DN15                   | DN15            | PN40                   | 0.16      | 10           | Premio-pl 2,2        | 2.2                   | 10s / 21s / 26s / 40s | 40                                                 | 40                      | 13424966 |
| DN15                   | DN15            | PN40                   | 0.25      | 10           | Premio-pl 2,2        | 2.2                   | 10s / 21s / 26s / 40s | 40                                                 | 40                      | 13424967 |
| DN15                   | DN15            | PN40                   | 0.4       | 10           | Premio-pl 2,2        | 2.2                   | 10s / 21s / 26s / 40s | 40                                                 | 40                      | 13424968 |
| DN15                   | DN15            | PN40                   | 0.63      | 10           | Premio-pl 2,2        | 2.2                   | 10s / 21s / 26s / 40s | 40                                                 | 40                      | 13424969 |
| DN15                   | DN15            | PN40                   | 1         | 10           | Premio-pl 2,2        | 2.2                   | 10s / 21s / 26s / 40s | 40                                                 | 40                      | 13424970 |
| DN15                   | DN15            | PN40                   | 1.6       | 10           | Premio-pl 2,2        | 2.2                   | 10s / 21s / 26s / 40s | 40                                                 | 40                      | 13424971 |
| DN15                   | DN15            | PN40                   | 2.5       | 10           | Premio-pl 2,2        | 2.2                   | 10s / 21s / 26s / 40s | 40                                                 | 40                      | 13424972 |
| DN15                   | DN15            | PN40                   | 4         | 10           | Premio-pl 2,2        | 2.2                   | 10s / 21s / 26s / 40s | 40                                                 | 40                      | 13424973 |
| DN20                   | DN20            | PN40                   | 0.1       | 10           | Premio-pl 2,2        | 2.2                   | 10s / 21s / 26s / 40s | 40                                                 | 40                      | 13424974 |
| DN20                   | DN20            | PN40                   | 0.16      | 10           | Premio-pl 2,2        | 2.2                   | 10s / 21s / 26s / 40s | 40                                                 | 40                      | 13424975 |
| DN20                   | DN20            | PN40                   | 0.25      | 10           | Premio-pl 2,2        | 2.2                   | 10s / 21s / 26s / 40s | 40                                                 | 40                      | 13424976 |
| DN20                   | DN20            | PN40                   | 0.4       | 10           | Premio-pl 2,2        | 2.2                   | 10s / 21s / 26s / 40s | 40                                                 | 40                      | 13424977 |
| DN20                   | DN20            | PN40                   | 0.63      | 10           | Premio-pl 2,2        | 2.2                   | 10s / 21s / 26s / 40s | 40                                                 | 40                      | 13424978 |
| DN20                   | DN20            | PN40                   | 1         | 10           | Premio-pl 2,2        | 2.2                   | 10s / 21s / 26s / 40s | 40                                                 | 40                      | 13424979 |
| DN20                   | DN20            | PN40                   | 1.6       | 10           | Premio-pl 2,2        | 2.2                   | 10s / 21s / 26s / 40s | 40                                                 | 40                      | 13424980 |

Disclaimer: The content of this document has been composed with the utmost care. However, it is possible that certain information changes over time, becomes inaccurate or incomplete. ERIKS does not guarantee that the information provided on this document is up to date, accurate and complete; the information provided is not intended to be advice. ERIKS shall never be liable for damage resulting from the use of the information provided.

| Nominal inner diameter | Connection size | Pressure rating flange | Kvs value | Stroke | Type coding actuator | Adjusting force | Operating time        | Max. pressure difference in opened position | Closing pressure | Article  |
|------------------------|-----------------|------------------------|-----------|--------|----------------------|-----------------|-----------------------|---------------------------------------------|------------------|----------|
|                        |                 |                        |           | mm     |                      |                 |                       | bar                                         |                  |          |
| DN20                   | DN20            | PN40                   | 2.5       | 10     | Premio-pl 2,2        | 2.2             | 10s / 21s / 26s / 40s | 40                                          | 40               | 13424981 |
| DN20                   | DN20            | PN40                   | 4         | 10     | Premio-pl 2,2        | 2.2             | 10s / 21s / 26s / 40s | 40                                          | 40               | 13424982 |
| DN20                   | DN20            | PN40                   | 6.3       | 10     | Premio-pl 2,2        | 2.2             | 10s / 21s / 26s / 40s | 40                                          | 40               | 13424983 |
| DN25                   | DN25            | PN40                   | 0.1       | 10     | Premio-pl 2,2        | 2.2             | 10s / 21s / 26s / 40s | 40                                          | 40               | 13424984 |
| DN25                   | DN25            | PN40                   | 0.16      | 10     | Premio-pl 2,2        | 2.2             | 10s / 21s / 26s / 40s | 40                                          | 40               | 13424985 |
| DN25                   | DN25            | PN40                   | 0.25      | 10     | Premio-pl 2,2        | 2.2             | 10s / 21s / 26s / 40s | 40                                          | 40               | 13424986 |
| DN25                   | DN25            | PN40                   | 0.4       | 10     | Premio-pl 2,2        | 2.2             | 10s / 21s / 26s / 40s | 40                                          | 40               | 13424987 |
| DN25                   | DN25            | PN40                   | 0.63      | 10     | Premio-pl 2,2        | 2.2             | 10s / 21s / 26s / 40s | 40                                          | 40               | 13424988 |
| DN25                   | DN25            | PN40                   | 1         | 10     | Premio-pl 2,2        | 2.2             | 10s / 21s / 26s / 40s | 40                                          | 40               | 13424989 |
| DN25                   | DN25            | PN40                   | 1.6       | 10     | Premio-pl 2,2        | 2.2             | 10s / 21s / 26s / 40s | 40                                          | 40               | 13424990 |
| DN25                   | DN25            | PN40                   | 2.5       | 10     | Premio-pl 2,2        | 2.2             | 10s / 21s / 26s / 40s | 40                                          | 40               | 13424991 |
| DN25                   | DN25            | PN40                   | 4         | 10     | Premio-pl 2,2        | 2.2             | 10s / 21s / 26s / 40s | 40                                          | 40               | 13424992 |
| DN25                   | DN25            | PN40                   | 6.3       | 10     | Premio-pl 2,2        | 2.2             | 10s / 21s / 26s / 40s | 40                                          | 40               | 13424993 |
| DN25                   | DN25            | PN40                   | 10        | 10     | Premio-pl 2,2        | 2.2             | 10s / 21s / 26s / 40s | 40                                          | 40               | 13424994 |
| DN32                   | DN32            | PN40                   | 1         | 10     | Premio-pl 2,2        | 2.2             | 10s / 21s / 26s / 40s | 40                                          | 40               | 13424995 |
| DN32                   | DN32            | PN40                   | 1.6       | 10     | Premio-pl 2,2        | 2.2             | 10s / 21s / 26s / 40s | 40                                          | 40               | 13424996 |
| DN32                   | DN32            | PN40                   | 2.5       | 10     | Premio-pl 2,2        | 2.2             | 10s / 21s / 26s / 40s | 40                                          | 40               | 13424997 |
| DN32                   | DN32            | PN40                   | 4         | 10     | Premio-pl 2,2        | 2.2             | 10s / 21s / 26s / 40s | 40                                          | 40               | 13424998 |
| DN32                   | DN32            | PN40                   | 6.3       | 10     | Premio-pl 2,2        | 2.2             | 10s / 21s / 26s / 40s | 40                                          | 40               | 13424999 |
| DN32                   | DN32            | PN40                   | 10        | 10     | Premio-pl 2,2        | 2.2             | 10s / 21s / 26s / 40s | 40                                          | 40               | 13425000 |
| DN32                   | DN32            | PN40                   | 16        | 15     | Premio-pl 2,2        | 2.2             | 15s / 32s / 39s / 60s | 28                                          | 28               | 13425001 |
| DN32                   | DN32            | PN40                   | 16        | 15     | Premio-pl 5          | 5               | 15s / 32s / 39s / 60s | 40                                          | 40               | 13425002 |
| DN40                   | DN40            | PN40                   | 6.3       | 10     | Premio-pl 2,2        | 2.2             | 10s / 21s / 26s / 40s | 40                                          | 40               | 13425003 |
| DN40                   | DN40            | PN40                   | 10        | 10     | Premio-pl 2,2        | 2.2             | 10s / 21s / 26s / 40s | 40                                          | 40               | 13425004 |
| DN40                   | DN40            | PN40                   | 16        | 15     | Premio-pl 2,2        | 2.2             | 15s / 32s / 39s / 60s | 28                                          | 28               | 13425005 |
| DN40                   | DN40            | PN40                   | 16        | 15     | Premio-pl 5          | 5               | 15s / 32s / 39s / 60s | 40                                          | 40               | 13425007 |
| DN40                   | DN40            | PN40                   | 25        | 15     | Premio-pl 2,2        | 2.2             | 15s / 32s / 39s / 60s | 17                                          | 17               | 13425006 |
| DN40                   | DN40            | PN40                   | 25        | 15     | Premio-pl 5          | 5               | 15s / 32s / 39s / 60s | 30                                          | 40               | 13425008 |
| DN50                   | DN50            | PN40                   | 10        | 10     | Premio-pl 2,2        | 2.2             | 10s / 21s / 26s / 40s | 40                                          | 40               | 13425009 |
| DN50                   | DN50            | PN40                   | 16        | 15     | Premio-pl 2,2        | 2.2             | 15s / 32s / 39s / 60s | 28                                          | 28               | 13425010 |
| DN50                   | DN50            | PN40                   | 16        | 15     | Premio-pl 5          | 5               | 15s / 32s / 39s / 60s | 40                                          | 40               | 13425013 |
| DN50                   | DN50            | PN40                   | 25        | 15     | Premio-pl 2,2        | 2.2             | 15s / 32s / 39s / 60s | 17                                          | 17               | 13425011 |
| DN50                   | DN50            | PN40                   | 25        | 15     | Premio-pl 5          | 5               | 15s / 32s / 39s / 60s | 30                                          | 40               | 13425014 |

Disclaimer: The content of this document has been composed with the utmost care. However, it is possible that certain information changes over time, becomes inaccurate or incomplete. ERIKS does not guarantee that the information provided on this document is up to date, accurate and complete; the information provided is not intended to be advice. ERIKS shall never be liable for damage resulting from the use of the information provided.

| Nominal inner diameter | Connection size | Pressure rating flange | Kvs value | Stroke | Type coding actuator | Adjusting force | Operating time         | Max. pressure difference in opened position | Closing pressure | Article  |
|------------------------|-----------------|------------------------|-----------|--------|----------------------|-----------------|------------------------|---------------------------------------------|------------------|----------|
|                        |                 |                        |           | mm     |                      |                 |                        | bar                                         |                  |          |
| DN50                   | DN50            | PN40                   | 40        | 15     | Premio-pl 2,2        | 2.2             | 15s / 32s / 39s / 60s  | 11                                          | 11               | 13425012 |
| DN50                   | DN50            | PN40                   | 40        | 15     | Premio-pl 5          | 5               | 15s / 32s / 39s / 60s  | 30                                          | 30               | 13425015 |
| DN65                   | DN65            | PN40                   | 16        | 15     | Premio-pl 5          | 5               | 15s / 32s / 39s / 60s  | 40                                          | 40               | 13425016 |
| DN65                   | DN65            | PN40                   | 25        | 15     | Premio-pl 5          | 5               | 15s / 32s / 39s / 60s  | 30                                          | 40               | 13425017 |
| DN65                   | DN65            | PN40                   | 40        | 15     | Premio-pl 5          | 5               | 15s / 32s / 39s / 60s  | 29                                          | 29               | 13425018 |
| DN65                   | DN65            | PN40                   | 40        | 15     | Premio-pl 15         | 15              | 19s / 39s / 48s / 75s  | 30                                          | 40               | 13425020 |
| DN65                   | DN65            | PN40                   | 63        | 20     | Premio-pl 5          | 5               | 20s / 43s / 53s / 80s  | 10                                          | 17               | 13425019 |
| DN65                   | DN65            | PN40                   | 63        | 20     | Premio-pl 15         | 15              | 25s / 53s / 65s / 100s | 10                                          | 40               | 13425021 |
| DN80                   | DN80            | PN40                   | 25        | 15     | Premio-pl 5          | 5               | 15s / 32s / 39s / 60s  | 30                                          | 40               | 13425022 |
| DN80                   | DN80            | PN40                   | 40        | 15     | Premio-pl 5          | 5               | 15s / 32s / 39s / 60s  | 29                                          | 29               | 13425023 |
| DN80                   | DN80            | PN40                   | 40        | 15     | Premio-pl 15         | 15              | 19s / 39s / 48s / 75s  | 30                                          | 40               | 13425026 |
| DN80                   | DN80            | PN40                   | 63        | 20     | Premio-pl 5          | 5               | 20s / 43s / 53s / 80s  | 10                                          | 17               | 13425024 |
| DN80                   | DN80            | PN40                   | 63        | 20     | Premio-pl 15         | 15              | 25s / 53s / 65s / 100s | 10                                          | 40               | 13425027 |
| DN80                   | DN80            | PN40                   | 100       | 25     | Premio-pl 5          | 5               | 25s / 53s / 66s / 100s | 8                                           | 10               | 13425025 |
| DN80                   | DN80            | PN40                   | 100       | 25     | Premio-pl 15         | 15              | 32s / 66s / 81s / 125s | 8                                           | 36               | 13425028 |
| DN100                  | DN100           | PN40                   | 40        | 15     | Premio-pl 5          | 5               | 15s / 32s / 39s / 60s  | 29                                          | 29               | 13425029 |
| DN100                  | DN100           | PN40                   | 40        | 15     | Premio-pl 15         | 15              | 19s / 39s / 48s / 75s  | 30                                          | 40               | 13425032 |
| DN100                  | DN100           | PN40                   | 63        | 20     | Premio-pl 5          | 5               | 20s / 43s / 53s / 80s  | 10                                          | 17               | 13425030 |
| DN100                  | DN100           | PN40                   | 63        | 20     | Premio-pl 15         | 15              | 25s / 53s / 65s / 100s | 10                                          | 40               | 13425033 |
| DN100                  | DN100           | PN40                   | 100       | 25     | Premio-pl 5          | 5               | 25s / 53s / 66s / 100s | 8                                           | 10               | 13425031 |
| DN100                  | DN100           | PN40                   | 100       | 25     | Premio-pl 15         | 15              | 32s / 66s / 81s / 125s | 8                                           | 36               | 13425034 |
| DN100                  | DN100           | PN40                   | 160       | 30     | Premio-pl 15         | 15              | 38s / 79s / 97s / 150s | 3                                           | 19               | 13425035 |

Disclaimer: The content of this document has been composed with the utmost care. However, it is possible that certain information changes over time, becomes inaccurate or incomplete. ERIKS does not guarantee that the information provided on this document is up to date, accurate and complete; the information provided is not intended to be advice. ERIKS shall never be liable for damage resulting from the use of the information provided.