



ECON® Bellow sealed valve Type: 432 Ductile cast iron Flange PN16

ECON® ductile iron bellows sealed globe valve, SS trim, double bellow, straight pattern, flanged connection, outside screw & yoke, non-rising hand wheel.

Area of application

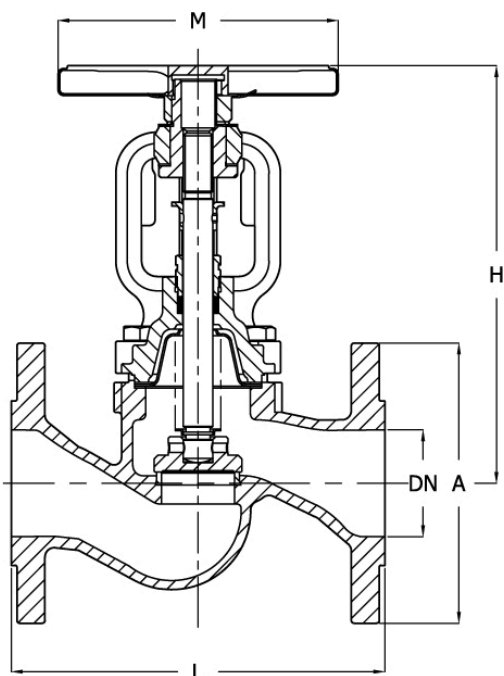
General industry, power stations, flue gas purification plant, steam facilities, heating technology, district heating, thermal oil applications, ammonia plants, vacuum facilities.

Characteristics

- Type:** 432
- Norm:** EN [DIN]
- Construction type:** Straight
- Housing material:** Ductile cast iron
- Surface protection:** Standard manufacturers coating
- Connection:** Flange
- Flange finish:** Raised face
- Stem seal type:** Bellows
- Material disc:** 1.4021+QT
- Spindle material:** 1.4021
- Primary spindle seal material:** Graphite
- Bellows material:** 1.4571
- Material bonnet:** EN-JS1025

Characteristics (2)

- Bonnet gasket material:** Stainless steel/graphite
- Actuator material:** Steel
- Minimum medium temperature (continuous):** -10 °C
- Maximum medium temperature (continuous):** 350 °C
- Maximum pressure difference at 20 °C:** 16 bar
- With position indicator:** Yes



Size table:

DN	A	H	L	M	Weight
	mm	mm	mm	mm	kg
DN32	140	201	180	125	6.5
DN50	165	228	230	150	11
DN80	200	295	310	200	24.3
DN100	220	325	350	250	35
DN125	250	380	400	300	49

Pressure and temperature range

Pressure rating	-10/120	150	200	250	300	350	[°C]
PN16	16	15.5	14.7	13.9	12.8	11.2	[bar]

Disclaimer: The content of this document has been composed with the utmost care. However, it is possible that certain information changes over time, becomes inaccurate or incomplete. ERIKS does not guarantee that the information provided on this document is up to date, accurate and complete; the information provided is not intended to be advice. ERIKS shall never be liable for damage resulting from the use of the information provided.

Bellows sealed globe valves | Bellows Sealed Globe Valve flanged

Material quality	Nominal inner diameter	Pressure rating	Face to Face norm	Face to Face length	Operation	Type of disc	Type of bonnet	Sealing	Kv value	Article
				mm					m ³ /h	
EN-JS1025	DN32	PN16	EN 558, Series 1	180	Hand wheel, non-rising with rising stem	Fixed disc	Bolted bonnet	Stainless steel	18	EC00432003-2NA23E
EN-JS1025	DN50	PN16	EN 558, Series 1	230	Hand wheel, non-rising with rising stem	Fixed disc	Bolted bonnet	Stainless steel	41	EC00432005-0NA23E
EN-JS1025	DN80	PN16	EN 558, Series 1	310	Hand wheel, non-rising with rising stem	Fixed disc	Bolted bonnet	Stainless steel	115	EC00432008-0NA23E
EN-JS1025	DN100	PN16	EN 558, Series 1	350	Hand wheel, non-rising with rising stem	Fixed disc	Bolted bonnet	Stainless steel	181	EC004320100-NA23E
EN-JS1025	DN125	PN16	EN 558, Series 1	400	Hand wheel, non-rising with rising stem	Fixed disc	Bolted bonnet	Stainless steel	225	EC004320125-NA23E

Disclaimer: The content of this document has been composed with the utmost care. However, it is possible that certain information changes over time, becomes inaccurate or incomplete. ERIKS does not guarantee that the information provided on this document is up to date, accurate and complete; the information provided is not intended to be advice. ERIKS shall never be liable for damage resulting from the use of the information provided.