



ARI Pneumatic actuated control valve Type: 2532 Series: 25.448 Ductile cast iron Flange

Characteristics

Series: 25.448
Type: 2532
Function: Control valve
Construction type: Straight
Housing material: Ductile cast iron
Material quality: EN-JS1049
Surface protection: Paint min. 30 µm
Process connection: Flange
Standard connection: EN 1092-1
Ground characteristic: Equal percentage
Plug: Parabolic cone
Control range: 50:1
Leakage class: IV according IEC 60534-4
Stem seal type: Roof cuffs
Material bonnet: Steel [1.0619+N]
Material cone: Stainless steel 420 [1.4021]
Seat material: Stainless steel 420 [1.4021]
Spindle material: Stainless steel 420 [1.4021]
Primary spindle seal material: PTFE
Bonnet gasket material: Graphite
Type of actuator: Pneumatic
Function actuator: Spring closing
Positioner: ECON 3301
Control signal: 4 - 20 mA
With feedback signal: No
Explosion-proof: No
Level of protection (IP value): IP66
With end contacts: No
Position indicator: Yes
Manual operation: No
Medium temperature: -10 / 220 °C
Ambient temperature: -10 / 85 °C

Application

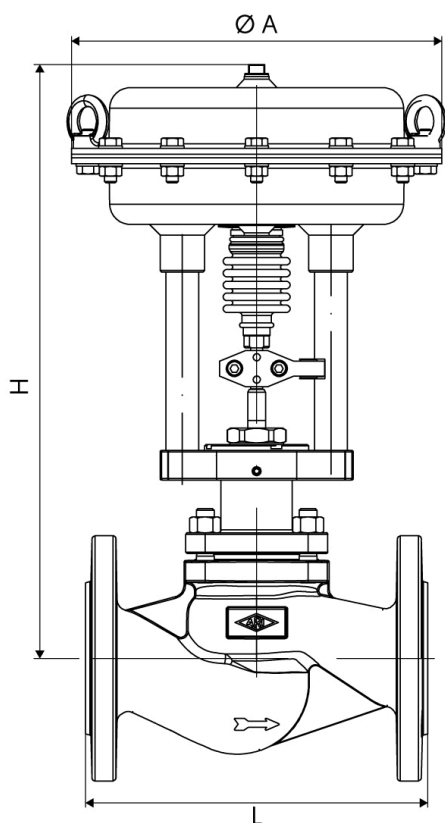
- Precise controlling of: Water.
- Steam.
- Coolant.
- Neutral fluids and gases.

Technical Information

- Compact and variable design.
- Robust cone guiding.
- 360° Rotatable actuator.
- Quick coupling between valve and actuator.
- Large and accurate control range due to control ratio of 50:1.
- Various Kvs-values.
- Low leakage rate due to conical valve seal.
- Equal percentage control characteristic.
- Pneumatic DP® spring return actuator.
- Econ® series 3300 digital valve positioner.
- Manufacturers declaration regarding ATEX2014/34/ EU available.

Options

- With a stainless steel spindle bellow suited for thermic oils and volatile gases.
- Various sealing variants.
- Positioner in explosion-proof version Ex-ia.
- Positioner with feedback 4 - 20 mA and HART.



Size table:

| DN | Actuator | A mm | H mm | L mm | Weight kg |
|-------|----------|---------|---------|---------|--------------|
| DN15 | DP30 | 168 | 354 | 130 | 11 |
| DN20 | DP30 | 168 | 354 | 150 | 12 |
| DN25 | DP30 | 168 | 369 | 180 | 13 |
| DN32 | DP30 | 168 | 369 | 180 | 15 |
| DN32 | DP32 | 250 | 378 | 180 | 20 |
| DN40 | DP30 | 168 | 384 | 200 | 17 |
| DN40 | DP32 | 250 | 393 | 200 | 22 |
| DN50 | DP30 | 168 | 391 | 230 | 20 |
| DN50 | DP32 | 250 | 400 | 230 | 25 |
| DN65 | DP32 | 250 | 407 | 290 | 31 |
| DN65 | DP33 | 300 | 458 | 290 | 37 |
| DN80 | DP32 | 250 | 429 | 310 | 38 |
| DN80 | DP33 | 300 | 480 | 310 | 44 |
| DN80 | DP34 | 405 | 549 | 310 | 74 |
| DN100 | DP32 | 250 | 445 | 350 | 50 |
| DN100 | DP33 | 300 | 496 | 350 | 56 |
| DN100 | DP34 | 405 | 565 | 350 | 86 |

| Nominal inner diameter | Size process connection | Pressure rating | Pressure rating flange | Kvs value | Stroke | Type coding actuator | Diaphragm area | Max. pressure difference in opened position | Closing pressure | Article |
|------------------------|-------------------------|-----------------|------------------------|-------------------|--------|----------------------|----------------|---|------------------|----------|
| | | | | m ³ /h | | | | | | |
| DN15 | DN15 | PN40 | PN40 | 0.1 | 10 | DP30 | 80 | 40 | 40 | 13554477 |
| DN15 | DN15 | PN40 | PN40 | 0.16 | 10 | DP30 | 80 | 40 | 40 | 13554478 |
| DN15 | DN15 | PN40 | PN40 | 0.25 | 10 | DP30 | 80 | 40 | 40 | 13554479 |
| DN15 | DN15 | PN40 | PN40 | 0.4 | 10 | DP30 | 80 | 40 | 40 | 13554480 |
| DN15 | DN15 | PN40 | PN40 | 0.63 | 10 | DP30 | 80 | 40 | 40 | 13554481 |
| DN15 | DN15 | PN40 | PN40 | 1 | 10 | DP30 | 80 | 40 | 40 | 13554482 |
| DN15 | DN15 | PN40 | PN40 | 1.6 | 10 | DP30 | 80 | 40 | 40 | 13554483 |
| DN15 | DN15 | PN40 | PN40 | 2.5 | 10 | DP30 | 80 | 40 | 40 | 13554484 |
| DN15 | DN15 | PN40 | PN40 | 4 | 10 | DP30 | 80 | 40 | 40 | 13554485 |
| DN20 | DN20 | PN40 | PN40 | 0.1 | 10 | DP30 | 80 | 40 | 40 | 13554486 |
| DN20 | DN20 | PN40 | PN40 | 0.16 | 10 | DP30 | 80 | 40 | 40 | 13554487 |
| DN20 | DN20 | PN40 | PN40 | 0.25 | 10 | DP30 | 80 | 40 | 40 | 13554488 |
| DN20 | DN20 | PN40 | PN40 | 0.4 | 10 | DP30 | 80 | 40 | 40 | 13554489 |
| DN20 | DN20 | PN40 | PN40 | 0.63 | 10 | DP30 | 80 | 40 | 40 | 13554490 |
| DN20 | DN20 | PN40 | PN40 | 1 | 10 | DP30 | 80 | 40 | 40 | 13554491 |
| DN20 | DN20 | PN40 | PN40 | 1.6 | 10 | DP30 | 80 | 40 | 40 | 13554492 |
| DN20 | DN20 | PN40 | PN40 | 2.5 | 10 | DP30 | 80 | 40 | 40 | 13554493 |
| DN20 | DN20 | PN40 | PN40 | 4 | 10 | DP30 | 80 | 40 | 40 | 13554494 |
| DN20 | DN20 | PN40 | PN40 | 6.3 | 10 | DP30 | 80 | 40 | 40 | 13554495 |
| DN25 | DN25 | PN40 | PN40 | 1 | 10 | DP30 | 80 | 40 | 40 | 13554496 |
| DN25 | DN25 | PN40 | PN40 | 1.6 | 10 | DP30 | 80 | 40 | 40 | 13554497 |
| DN25 | DN25 | PN40 | PN40 | 2.5 | 10 | DP30 | 80 | 40 | 40 | 13554498 |

Disclaimer: The content of this document has been composed with the utmost care. However, it is possible that certain information changes over time, becomes inaccurate or incomplete. ERIKS does not guarantee that the information provided on this document is up to date, accurate and complete; the information provided is not intended to be advice. ERIKS shall never be liable for damage resulting from the use of the information provided.

| Nominal inner diameter | Size process connection | Pressure rating | Pressure rating flange | Kvs value | Stroke | Type coding actuator | Diaphragm area | Max. pressure difference in opened position | Closing pressure | Article |
|------------------------|-------------------------|-----------------|------------------------|-------------------|--------|----------------------|----------------|---|------------------|----------|
| | | | | m ³ /h | | | | mm | | |
| DN25 | DN25 | PN40 | PN40 | 4 | 10 | DP30 | 80 | 40 | 40 | 13554499 |
| DN25 | DN25 | PN40 | PN40 | 6.3 | 10 | DP30 | 80 | 40 | 40 | 13554500 |
| DN25 | DN25 | PN40 | PN40 | 10 | 10 | DP30 | 80 | 40 | 40 | 13554501 |
| DN32 | DN32 | PN40 | PN40 | 1 | 10 | DP30 | 80 | 40 | 40 | 13554502 |
| DN32 | DN32 | PN40 | PN40 | 1.6 | 10 | DP30 | 80 | 40 | 40 | 13554503 |
| DN32 | DN32 | PN40 | PN40 | 2.5 | 10 | DP30 | 80 | 40 | 40 | 13554504 |
| DN32 | DN32 | PN40 | PN40 | 4 | 10 | DP30 | 80 | 40 | 40 | 13554505 |
| DN32 | DN32 | PN40 | PN40 | 6.3 | 10 | DP30 | 80 | 40 | 40 | 13554506 |
| DN32 | DN32 | PN40 | PN40 | 10 | 10 | DP30 | 80 | 40 | 40 | 13554507 |
| DN32 | DN32 | PN40 | PN40 | 16 | 15 | DP32 | 250 | 40 | 40 | 13554508 |
| DN40 | DN40 | PN40 | PN40 | 6.3 | 10 | DP30 | 80 | 40 | 40 | 13554509 |
| DN40 | DN40 | PN40 | PN40 | 10 | 10 | DP30 | 80 | 40 | 40 | 13554510 |
| DN40 | DN40 | PN40 | PN40 | 16 | 15 | DP32 | 250 | 40 | 40 | 13554511 |
| DN40 | DN40 | PN40 | PN40 | 25 | 15 | DP32 | 250 | 30 | 40 | 13554512 |
| DN50 | DN50 | PN40 | PN40 | 10 | 10 | DP30 | 80 | 40 | 40 | 13554513 |
| DN50 | DN50 | PN40 | PN40 | 16 | 15 | DP32 | 250 | 40 | 40 | 13554514 |
| DN50 | DN50 | PN40 | PN40 | 25 | 15 | DP32 | 250 | 30 | 40 | 13554515 |
| DN50 | DN50 | PN40 | PN40 | 40 | 15 | DP32 | 250 | 28 | 28 | 13554516 |
| DN65 | DN65 | PN25 | PN25 | 16 | 15 | DP32 | 250 | 25 | 25 | 13554517 |
| DN65 | DN65 | PN25 | PN25 | 25 | 15 | DP32 | 250 | 25 | 25 | 13554518 |
| DN65 | DN65 | PN25 | PN25 | 40 | 15 | DP32 | 250 | 25 | 25 | 13554519 |
| DN65 | DN65 | PN25 | PN25 | 63 | 20 | DP33 | 400 | 10 | 25 | 13554520 |
| DN80 | DN80 | PN25 | PN25 | 25 | 15 | DP32 | 250 | 25 | 25 | 13554521 |
| DN80 | DN80 | PN25 | PN25 | 40 | 15 | DP32 | 250 | 25 | 25 | 13554522 |
| DN80 | DN80 | PN25 | PN25 | 63 | 20 | DP33 | 400 | 10 | 25 | 13554523 |
| DN80 | DN80 | PN25 | PN25 | 100 | 25 | DP33 | 400 | 8 | 16 | 13554524 |
| DN80 | DN80 | PN25 | PN25 | 100 | 25 | DP34 | 800 | 8 | 25 | 13554525 |
| DN100 | DN100 | PN25 | PN25 | 40 | 15 | DP32 | 250 | 25 | 25 | 13554526 |
| DN100 | DN100 | PN25 | PN25 | 63 | 20 | DP33 | 400 | 10 | 25 | 13554527 |
| DN100 | DN100 | PN25 | PN25 | 100 | 25 | DP33 | 400 | 8 | 16 | 13554528 |
| DN100 | DN100 | PN25 | PN25 | 100 | 25 | DP34 | 800 | 8 | 25 | 13554529 |
| DN100 | DN100 | PN25 | PN25 | 160 | 30 | DP33 | 400 | 3 | 8 | 13554530 |
| DN100 | DN100 | PN25 | PN25 | 160 | 30 | DP34 | 800 | 3 | 17 | 13554531 |

Disclaimer: The content of this document has been composed with the utmost care. However, it is possible that certain information changes over time, becomes inaccurate or incomplete. ERIKS does not guarantee that the information provided on this document is up to date, accurate and complete; the information provided is not intended to be advice. ERIKS shall never be liable for damage resulting from the use of the information provided.