

STAUFF Test coupling with 37° JIC connection SMK-20-JIC Type G

Test couplings with ball valve from the Stauff Test 20 series with connection thread M16x2 according to ISO 15171-2



Characteristics

- Series:** SMK-20-JIC
- Type:** G
- Adaption thread:** M 16x2
- Coupling material:** Steel
- Surface protection:** Zinc-Nickel

Application

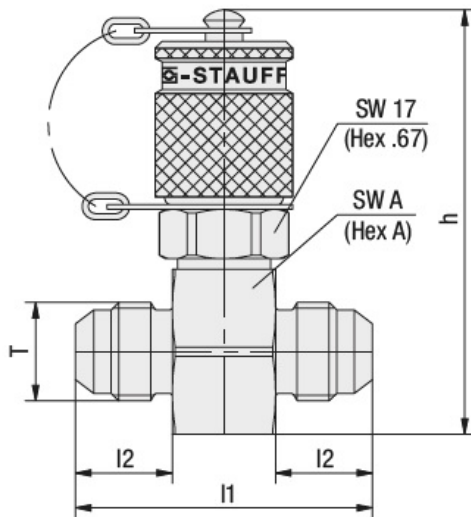
- Monitoring and control of pressure
- Sampling in high- and low-pressure systems
- Venting
- Suitable for hydraulic oils and other Mineral oil based fluids (Check compatibility of seal material)

Technical Information

- Standard material: Steel, zinc/nickel-plated = W3
- Optional: stainless steel V2A (W4) and V4A (W5)
- Max. working pressure 630 bar
- Connection under pressure up to max. 400 bar
- Internal sealings made of FKM (Viton®)
- Ball: Stainless Steel

Execution

- Test coupling with 37° JIC connection according to SAE J 514.
- Test system at working pressure
- Leak proof connection before Ball Check is open
- Simple connection to measurement, control and switching devices
- Self locking metal protective cap



Size table:

l1 mm	l2 mm	SW mm	SW A mm	T
48.5	16.5	17	30	3/4"-16 UNF
43	14	17	24	7/16"-20 UNF
72	27.5	17	55	1.7/8"-12 UN
65.5	24.5	17	46	1.5/8"-12 UN
59	22	17	36	1.1/16"-12 UN
43	14	17	24	9/16"-18 UNF
43	14	17	24	1/2"-20 UNF
53.5	19.5	17	30	7/8"-14 UNF

Connection type	Connection size	Sealing	Protection cap	Article
Male thread	3/4"-16 UNF [JIC]	FKM [FPM]	Metal knurled protection cap	14674906
Male thread	7/16"-20 UNF [JIC]	FKM [FPM]	Metal knurled protection cap	14674915
Male thread	1.7/8"-12 UN [JIC]	FKM [FPM]	Metal knurled protection cap	14674912
Male thread	1.5/8"-12 UN [JIC]	FKM [FPM]	Metal knurled protection cap	14674910
Male thread	1.1/16"-12 UN [JIC]	FKM [FPM]	Metal knurled protection cap	14674908

Disclaimer: The content of this document has been composed with the utmost care. However, it is possible that certain information changes over time, becomes inaccurate or incomplete. ERIKS does not guarantee that the information provided on this document is up to date, accurate and complete; the information provided is not intended to be advice. ERIKS shall never be liable for damage resulting from the use of the information provided.

Connection type	Connection size	Sealing	Protection cap	Article
Male thread	9/16"-18 UNF [JIC]	FKM (FPM)	Metal knurled protection cap	14674905
Male thread	1/2"-20 UNF [JIC]	FKM (FPM)	Metal knurled protection cap	14674904
Male thread	7/8"-14 UNF [JIC]	FKM (FPM)	Metal knurled protection cap	14674916

Disclaimer: The content of this document has been composed with the utmost care. However, it is possible that certain information changes over time, becomes inaccurate or incomplete. ERIKS does not guarantee that the information provided on this document is up to date, accurate and complete; the information provided is not intended to be advice. ERIKS shall never be liable for damage resulting from the use of the information provided.