

## STAUFF Test coupling with straight 24° fitting SMK-20 Type G

Test couplings with ball valve from the Stauff Test 20 series with connection thread M16x2 according to ISO 15171-2



### Characteristics

- Series:** SMK-20
- Type:** G
- Adaption thread:** M 16x2
- Coupling material:** Steel
- Surface protection:** Zinc-Nickel



### Application

- Monitoring and control of pressure
- Sampling in high- and low-pressure systems
- Venting
- Suitable for hydraulic oils and other Mineral oil based fluids [Check compatibility of seal material]

### Technical Information

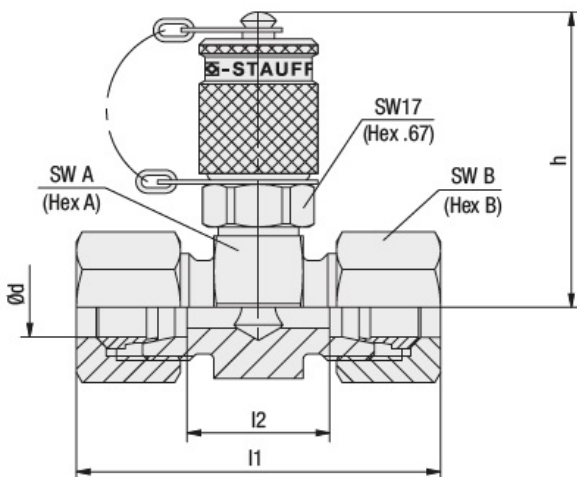
- Standard material: Steel, zinc/nickel-plated = W3
- Optional: stainless steel V2A (W4) and V4A (W5)
- Max. working pressure 630 bar
- Connection under pressure up to max. 400 bar
- Internal sealings made of FKM (Viton®)
- Ball: Stainless Steel

### Execution

- Test coupling with straight 24° tube fitting according to ISO 8434-1 and ISO 2353
- Test system at working pressure
- Leak proof connection before Ball Check is open
- Simple connection to measurement, control and switching devices
- Self locking metal protective cap

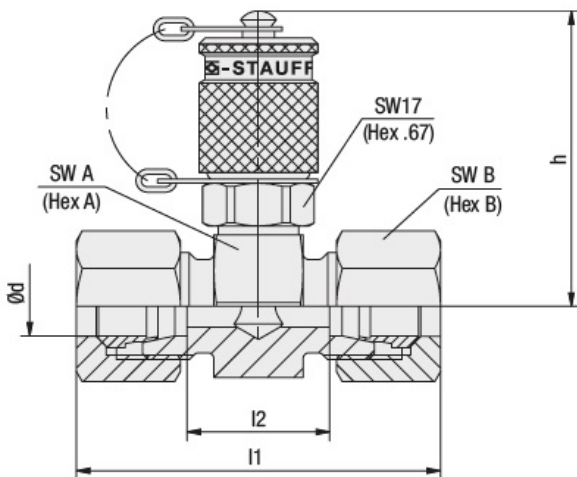
Size table:

d	h	l1	l2	SW	SW A	SW B
mm	mm	mm	mm	mm	mm	mm
6	49	51	21	17	24	14
6	49	55	25	17	24	17
8	49	51	21	17	24	17
8	49	55	25	17	24	19
10	49	53	23	17	24	19
10	49	57	24	17	24	22
12	50.5	53	23	17	27	22
12	49	57	24	17	24	24
14	50.5	63	27	17	27	27
15	52	55	25	17	30	27
16	52	63	26	17	30	30
18	53	57	24	17	32	32
20	55	69	26	17	36	36
22	55	61	28	17	36	36
25	57.5	75	27	17	41	46
28	57.5	61	28	17	41	41
30	60	81	28	17	46	50
35	60	69	26	17	46	50



Disclaimer: The content of this document has been composed with the utmost care. However, it is possible that certain information changes over time, becomes inaccurate or incomplete. ERIKS does not guarantee that the information provided on this document is up to date, accurate and complete; the information provided is not intended to be advice. ERIKS shall never be liable for damage resulting from the use of the information provided.

Size table:



d	h	l1	l2	SW	SW A	SW B
38	64.5	91	29	17	55	60
42	64.5	71	25	17	55	60

Connection type	Connection size	Sealing	Maximum operating pressure bar	Protection cap	Article
Cutting ring connection	6L - M12x1.5	FKM (FPM)	315	Metal knurled protection cap	791830
Cutting ring connection	6S - M14x1.5	FKM (FPM)	630	Metal knurled protection cap	938319
Cutting ring connection	8L - M14x1.5	EPDM	315	Metal knurled protection cap	11361039
Cutting ring connection	8L - M14x1.5	FKM (FPM)	315	Hexagonal protection cap	11359077
Cutting ring connection	8L - M14x1.5	FKM (FPM)	315	Metal knurled protection cap	11359382
Cutting ring connection	8L - M14x1.5	FKM (FPM)	315	Metal knurled protection cap	938262
Cutting ring connection	8S - M16x1.5	FKM (FPM)	630	Hexagonal protection cap	11359091
Cutting ring connection	8S - M16x1.5	FKM (FPM)	630	Metal knurled protection cap	938327
Cutting ring connection	8S - M16x1.5	FKM (FPM)	630	Metal knurled protection cap	11359248
Cutting ring connection	8S - M16x1.5	FKM (FPM)	630	Plastic protection cap	11359092
Cutting ring connection	10L - M16x1.5	FKM (FPM)	315	Metal knurled protection cap	898813
Cutting ring connection	10L - M16x1.5	FKM (FPM)	315	Plastic protection cap	11359080
Cutting ring connection	10S - M18x1.5	FKM (FPM)	630	Metal knurled protection cap	11359644
Cutting ring connection	10S - M18x1.5	FKM (FPM)	630	Metal knurled protection cap	938335
Cutting ring connection	12L - M18x1.5	FKM (FPM)	315	Metal knurled protection cap	896365
Cutting ring connection	12L - M18x1.5	FKM (FPM)	315	Metal knurled protection cap	11359241
Cutting ring connection	12L - M18x1.5	FKM (FPM)	315	Metal knurled protection cap	11359243
Cutting ring connection	12L - M18x1.5	FKM (FPM)	315	Plastic protection cap	11359082
Cutting ring connection	12S - M20x1.5	FKM (FPM)	630	Metal knurled protection cap	11359445
Cutting ring connection	12S - M20x1.5	FKM (FPM)	630	Metal knurled protection cap	864935
Cutting ring connection	12S - M20x1.5	FKM (FPM)	630	Plastic protection cap	11359636
Cutting ring connection	14S - M22x1.5	FKM (FPM)	630	Metal knurled protection cap	864943
Cutting ring connection	15L - M22x1.5	FKM (FPM)	315	Hexagonal protection cap	11359641
Cutting ring connection	15L - M22x1.5	FKM (FPM)	315	Metal knurled protection cap	896373

Disclaimer: The content of this document has been composed with the utmost care. However, it is possible that certain information changes over time, becomes inaccurate or incomplete. ERIKS does not guarantee that the information provided on this document is up to date, accurate and complete; the information provided is not intended to be advice. ERIKS shall never be liable for damage resulting from the use of the information provided.

Connection type	Connection size	Sealing	Maximum operating pressure bar	Protection cap	Article
Cutting ring connection	15L - M22x1.5	FKM (FPM)	315	Metal knurled protection cap	11359246
Cutting ring connection	15L - M22x1.5	FKM (FPM)	315	Metal knurled protection cap	11359244
Cutting ring connection	15L - M22x1.5	FKM (FPM)	315	Plastic protection cap	11359084
Cutting ring connection	16S - M24x1.5	FKM (FPM)	400	Metal knurled protection cap	11359400
Cutting ring connection	16S - M24x1.5	FKM (FPM)	400	Metal knurled protection cap	864951
Cutting ring connection	16S - M24x1.5	FKM (FPM)	400	Plastic protection cap	11359099
Cutting ring connection	18L - M26x1.5	FKM (FPM)	315	Metal knurled protection cap	898821
Cutting ring connection	18L - M26x1.5	FKM (FPM)	315	Plastic protection cap	11359085
Cutting ring connection	20S - M30x2.0	FKM (FPM)	400	Metal knurled protection cap	11359622
Cutting ring connection	20S - M30x2.0	FKM (FPM)	400	Metal knurled protection cap	864978
Cutting ring connection	22L - M30x2.0	FKM (FPM)	160	Metal knurled protection cap	938270
Cutting ring connection	22L - M30x2.0	FKM (FPM)	160	Metal knurled protection cap	11359624
Cutting ring connection	25S - M36x2.0	FKM (FPM)	400	Hexagonal protection cap	11359627
Cutting ring connection	25S - M36x2.0	FKM (FPM)	400	Metal knurled protection cap	11359522
Cutting ring connection	25S - M36x2.0	FKM (FPM)	400	Metal knurled protection cap	864986
Cutting ring connection	25S - M36x2.0	FKM (FPM)	400	Plastic protection cap	11359100
Cutting ring connection	28L - M36x2.0	FKM (FPM)	160	Metal knurled protection cap	11359628
Cutting ring connection	28L - M36x2.0	FKM (FPM)	160	Metal knurled protection cap	1014156
Cutting ring connection	30S - M42x2.0	FKM (FPM)	400	Metal knurled protection cap	904252
Cutting ring connection	30S - M42x2.0	FKM (FPM)	400	Metal knurled protection cap	11359611
Cutting ring connection	30S - M42x2.0	FKM (FPM)	400	Plastic protection cap	11359102
Cutting ring connection	35L - M45x2.0	FKM (FPM)	160	Hexagonal protection cap	11360056
Cutting ring connection	35L - M45x2.0	FKM (FPM)	160	Metal knurled protection cap	11359089
Cutting ring connection	38S - M52x2.0	FKM (FPM)	315	Metal knurled protection cap	11359103
Cutting ring connection	42L - M52x2.0	FKM (FPM)	160	Metal knurled protection cap	11359090

Disclaimer: The content of this document has been composed with the utmost care. However, it is possible that certain information changes over time, becomes inaccurate or incomplete. ERIKS does not guarantee that the information provided on this document is up to date, accurate and complete; the information provided is not intended to be advice. ERIKS shall never be liable for damage resulting from the use of the information provided.