

STAUFF Test coupling with male threaded stud SMK-20

Test couplings with ball valve from the Stauff Test 20 series with connection thread M16x2 according to ISO 15171-2



Characteristics

Series: SMK-20

Adaption thread: M 16x2

Coupling material: Steel, galvanized

Surface protection: Zinc-Nickel

Application

- Monitoring and control of pressure
- Sampling in high- and low-pressure systems
- Venting
- Suitable for hydraulic oils and other Mineral oil based fluids [Check compatibility of seal material]

Technical Information

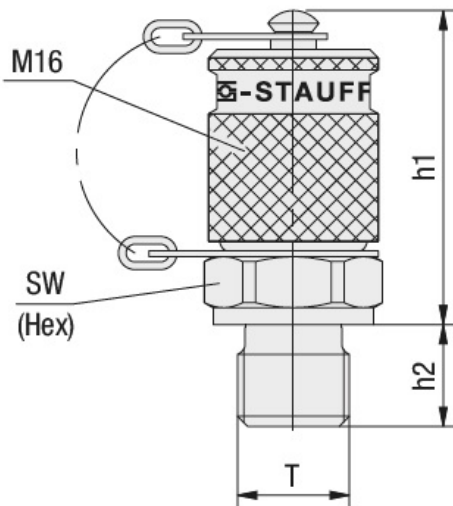
- Standard material: Steel, zinc/nickel-plated = W3
- Optional: stainless steel V2A [W4] and V4A [W5]
- Max. working pressure 630 bar
- Connection under pressure up to max. 400 bar
- Internal sealings made of FKM [Viton®]
- Ball: Stainless Steel

Execution

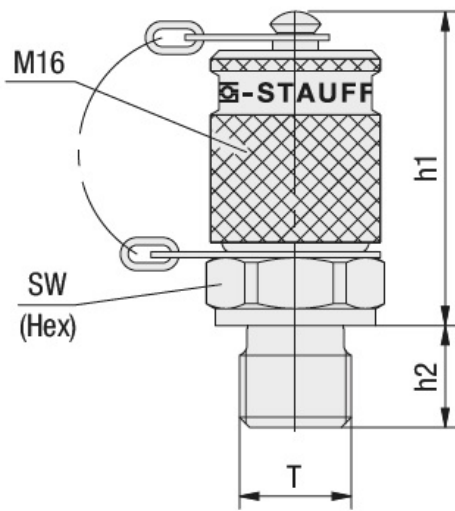
- Test coupling with male threaded stud
- Test system at working pressure
- Leak proof connection before Ball Check is open
- Simple connection to measurement, control and switching devices
- Self locking metal protective cap

Size table:

h1 mm	h2 mm	SW mm	T
38	9.2	17	1/2-20 UNF
38	9.2	17	1/2- 20 UNF
39	14	27	G1/2
35	12	17	R1/4
37	12	19	G1/4
35	15	17	1/4 NPT
37	8	17	R1/8
38	8	17	G1/8
39	8	17	G1/8
36	10	17	1/8 NPT
37	12	22	G3/8
			3/8 NPT
38	7.5	17	5/16-24 UNF
38	9.1	17	7/16-20 UNF
37	10	19	9/16-18 UNF
38	8.5	17	M8x1
37	8	17	M10x1
38	9.8	17	M10x1



Disclaimer: The content of this document has been composed with the utmost care. However, it is possible that certain information changes over time, becomes inaccurate or incomplete. ERIKS does not guarantee that the information provided on this document is up to date, accurate and complete; the information provided is not intended to be advice. ERIKS shall never be liable for damage resulting from the use of the information provided.



Size table:

h1	h2	SW	T
39	8	17	M10x1
37	8	17	M10x1.25
38	9.8	17	M10x1.25
37	12	17	M12x1.5
			M12x1.5
37	12	19	M14x1.5
38	11	19	M14x1.5
37	12	22	M16x1.5
			M18x1.5
			M20x1.5
			M22x1.5

Connection type	Connection size	Sealing	Port seal	Maximum operating pressure bar	Protection cap	Article
External thread	1/2" - 20 UNF	FKM (FPM)	O-ring	630	Metal knurled protection cap	11359173
External thread	1/2" - 20 UNF	FKM (FPM)	O-ring	630	Metal knurled protection cap	11358928
External thread	1/2" - 20 UNF	NBR	O-ring	630	Metal knurled protection cap	11358927
External thread	1/2" BSP cyl.	FKM (FPM)	Profile sealing ring	630	Metal knurled protection cap	11361140
External thread	1/2" BSP cyl.	NBR	Profile sealing ring	630	Metal knurled protection cap	11360153
External thread	1/2" BSP cyl.	NBR	Profile sealing ring	630	Plastic protection cap	11360789
External thread	1/4" BSP con.		Conical	630	Metal knurled protection cap	11358926
External thread	1/4" BSP cyl.		Sealing Edge (Form B)	630	Hexagonal protection cap	11358948
External thread	1/4" BSP cyl.		Sealing Edge (Form B)	630	Metal knurled protection cap	864927
External thread	1/4" BSP cyl.		Sealing Edge (Form B)	630	Metal knurled protection cap	11359209
External thread	1/4" BSP cyl.		Sealing Edge (Form B)	630	Plastic protection cap	11358949
External thread	1/4" BSP cyl.	EPDM	Profile sealing ring	630	Metal knurled protection cap	11359513
External thread	1/4" BSP cyl.	FKM (FPM)	Profile sealing ring	630	Hexagonal protection cap	11359168
External thread	1/4" BSP cyl.	FKM (FPM)	Profile sealing ring	630	Metal knurled protection cap	11358922
External thread	1/4" BSP cyl.	NBR	Profile sealing ring	630	Hexagonal protection cap	11358950
External thread	1/4" BSP cyl.	NBR	Profile sealing ring	630	Metal knurled protection cap	938165
External thread	1/4" BSP cyl.	NBR	Profile sealing ring	630	Metal knurled protection cap	11359210
External thread	1/4" BSP cyl.	NBR	Profile sealing ring	630	Plastic protection cap	11358951
External thread	1/4" NPT		Conical	630	Hexagonal protection cap	11358959
External thread	1/4" NPT		Conical	630	Metal knurled protection cap	906042
External thread	1/4" NPT	EPDM	Conical	630	Metal knurled protection cap	11359441
External thread	1/8" BSP con.		Conical	400	Metal knurled protection cap	11358910

Disclaimer: The content of this document has been composed with the utmost care. However, it is possible that certain information changes over time, becomes inaccurate or incomplete. ERIKS does not guarantee that the information provided on this document is up to date, accurate and complete; the information provided is not intended to be advice. ERIKS shall never be liable for damage resulting from the use of the information provided.

Connection type	Connection size	Sealing	Port seal	Maximum operating pressure bar	Protection cap	Article
External thread	1/8" BSP cyl.		Sealing Edge (Form B)	400	Metal knurled protection cap	11359496
External thread	1/8" BSP cyl.	FKM (FPM)	Profile sealing ring	400	Metal knurled protection cap	11358909
External thread	1/8" BSP cyl.	NBR	Profile sealing ring	400	Hexagonal protection cap	11358934
External thread	1/8" BSP cyl.	NBR	Profile sealing ring	400	Metal knurled protection cap	11359208
External thread	1/8" BSP cyl.	NBR	Profile sealing ring	400	Metal knurled protection cap	792551
External thread	1/8" BSP cyl.	NBR	Profile sealing ring	400	Plastic protection cap	11358935
External thread	1/8" NPT		Conical	400	Metal knurled protection cap	906034
External thread	1/8" NPT		Conical	400	Metal knurled protection cap	11359514
External thread	1/8" NPT		Conical	400	Plastic protection cap	11358938
External thread	1/8" NPT	EPDM	Conical	400	Metal knurled protection cap	11359660
External thread	3/8" BSP cyl.		Sealing Edge (Form B)	630	Hexagonal protection cap	11358952
External thread	3/8" BSP cyl.		Sealing Edge (Form B)	630	Metal knurled protection cap	824232
External thread	3/8" BSP cyl.	FKM (FPM)	Profile sealing ring	630	Metal knurled protection cap	11358924
External thread	3/8" BSP cyl.	NBR	Profile sealing ring	630	Hexagonal protection cap	11358954
External thread	3/8" BSP cyl.	NBR	Profile sealing ring	630	Metal knurled protection cap	1058874
External thread	3/8" BSP cyl.	NBR	Profile sealing ring	630	Plastic protection cap	11358955
External thread	3/8" NPT	NBR	Conical	400	Metal knurled protection cap	11359554
External thread	5/16" - 24 UNF	FKM (FPM)	O-ring	400	Metal knurled protection cap	11359172
External thread	5/16" - 24 UNF	FKM (FPM)	O-ring	400	Metal knurled protection cap	11358925
External thread	7/16" - 20 UNF	FKM (FPM)	O-ring	630	Metal knurled protection cap	11358913
External thread	7/16" - 20 UNF	NBR	O-ring	630	Metal knurled protection cap	906069
External thread	9/16"-18 UNF	NBR	O-ring	630	Metal knurled protection cap	938173
External thread	9/16"-18 UNF	NBR	O-ring	630	Plastic protection cap	11358957
External thread	M 8x1	FKM (FPM)	O-ring	250	Metal knurled protection cap	11358907
External thread	M 8x1	NBR	O-ring	250	Metal knurled protection cap	938157
External thread	M 8x1	NBR	O-ring	250	Metal knurled protection cap	11359203
External thread	M 8x1	NBR	O-ring	250	Plastic protection cap	11358931
External thread	M 10x1		Sealing Edge (Form B)	400	Metal knurled protection cap	11359444
External thread	M 10x1	EPDM	O-ring	630	Metal knurled protection cap	11360997
External thread	M 10x1	FKM (FPM)	O-ring	630	Metal knurled protection cap	11358908
External thread	M 10x1	NBR	O-ring	630	Metal knurled protection cap	905984
External thread	M 10x1	NBR	O-ring	630	Plastic protection cap	11358933
External thread	M 10x1	NBR	Profile sealing ring	400	Metal knurled protection cap	11360254
External thread	M 10x1	NBR	Profile sealing ring	400	Plastic protection cap	11361021
External thread	M 10x1.25		Sealing Edge (Form B)	400	Metal knurled protection cap	11360039
External thread	M 10x1.25	NBR	O-ring	630	Metal knurled protection cap	11360038
External thread	M 12x1.5		Sealing Edge (Form B)	630	Metal knurled protection cap	11358915

Disclaimer: The content of this document has been composed with the utmost care. However, it is possible that certain information changes over time, becomes inaccurate or incomplete. ERIKS does not guarantee that the information provided on this document is up to date, accurate and complete; the information provided is not intended to be advice. ERIKS shall never be liable for damage resulting from the use of the information provided.

Connection type	Connection size	Sealing	Port seal	Maximum operating pressure bar	Protection cap	Article
External thread	M 12x1.5		Sealing Edge (Form B)	630	Plastic protection cap	11358943
External thread	M 12x1.5	FKM (FPM)	Profile sealing ring	630	Metal knurled protection cap	11358914
External thread	M 12x1.5	NBR	O-ring	630	Metal knurled protection cap	11359024
External thread	M 12x1.5	NBR	Profile sealing ring	630	Hexagonal protection cap	11358941
External thread	M 12x1.5	NBR	Profile sealing ring	630	Metal knurled protection cap	905992
External thread	M 12x1.5	NBR	Profile sealing ring	630	Plastic protection cap	11358942
External thread	M 14x1.5		Sealing Edge (Form B)	630	Hexagonal protection cap	11358944
External thread	M 14x1.5		Sealing Edge (Form B)	630	Metal knurled protection cap	906018
External thread	M 14x1.5		Sealing Edge (Form B)	630	Plastic protection cap	11358945
External thread	M 14x1.5	FKM (FPM)	Profile sealing ring	630	Metal knurled protection cap	11358919
External thread	M 14x1.5	NBR	O-ring	630	Metal knurled protection cap	11360192
External thread	M 14x1.5	NBR	Profile sealing ring	630	Metal knurled protection cap	11354514
External thread	M 14x1.5	NBR	Profile sealing ring	630	Plastic protection cap	11358947
External thread	M 16x1.5		Sealing Edge (Form B)	630	Metal knurled protection cap	908584
External thread	M 16x1.5	FKM (FPM)	Profile sealing ring	630	Metal knurled protection cap	11359406
External thread	M 16x1.5	NBR	Profile sealing ring	630	Metal knurled protection cap	11359412
External thread	M 18x1.5		Sealing Edge (Form B)	630	Metal knurled protection cap	11360456
External thread	M 20x1.5		Sealing Edge (Form B)	630	Metal knurled protection cap	11360455
External thread	M 22x1.5		Sealing Edge (Form B)	630	Metal knurled protection cap	11360581

Disclaimer: The content of this document has been composed with the utmost care. However, it is possible that certain information changes over time, becomes inaccurate or incomplete. ERIKS does not guarantee that the information provided on this document is up to date, accurate and complete; the information provided is not intended to be advice. ERIKS shall never be liable for damage resulting from the use of the information provided.