

ADCAPURE Check valve Series: SRTV10 Type: 8848V Stainless steel Tri-clamp ASME BPE



Characteristics

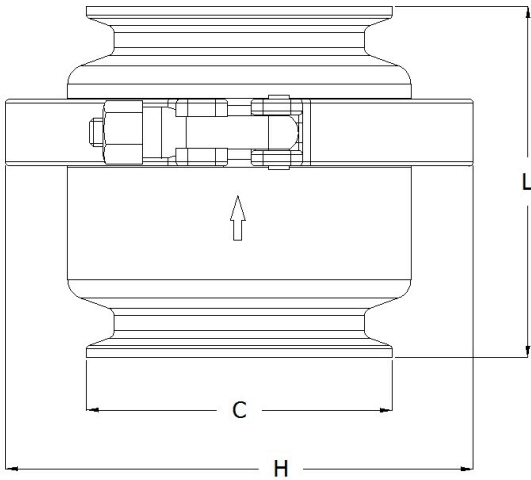
- Series:** SRTV10
- Type:** 8848V
- Norm:** ASME
- Construction type:** Vertical
- Housing material:** Stainless steel
- Material quality:** SS316L
- Internal roughness value:** Ra 0.51 µm
- External roughness value:** Ra 0.76 µm
- Connection:** Tri-clamp
- Standard connection:** ASME-BPE
- With spring:** Yes

Application

- Recommended in: Pharma

Size table:

DN	C	H	L	Weight
	mm	mm	mm	kg
1/2" [15]	25	61	50	0.4
3/4" [20]	25	61	50	0.5
1" [25]	50.5	61	60	0.6
1.1/2" [40]	50.5	90	73	1.1
2" [50]	64	104	84	1.4
2.1/2" [65]	77.5	119	89	1.8
3" [80]	91	134	98	2.7
4" [100]	119	170	109	4.9



Nominal inner diameter	External tube diameter of connection	Pressure rating	Face to Face length	Valve shape	Sealing	Material disc	Spring material	Minimum medium temperature (continuous)	Maximum medium temperature (continuous)	Article
	mm		mm					°C	°C	
1/2" [15]	25	PN10	50	Flap	EPDM	1.4404	1.4401	-10	180	14543716
3/4" [20]	25	PN10	50	Flap	EPDM	1.4404	1.4401	-10	180	14543717
1" [25]	50.5	PN10	60	Flap	EPDM	1.4404	1.4401	-10	180	14543718
1.1/2" [40]	50.5	PN10	73	Flap	EPDM	1.4404	1.4401	-10	180	14543951
2" [50]	64	PN10	84	Flap	EPDM	1.4404	1.4401	-10	180	14543719
2.1/2" [65]	77.5	PN10	89	Flap	EPDM	1.4404	1.4401	-10	180	14543950
3" [80]	91	PN10	98	Flap	EPDM	1.4404	1.4401	-10	180	14543720
4" [100]	119	PN10	109	Flap	EPDM	1.4404	1.4401	-10	180	14543721

Disclaimer: The content of this document has been composed with the utmost care. However, it is possible that certain information changes over time, becomes inaccurate or incomplete. ERIKS does not guarantee that the information provided on this document is up to date, accurate and complete; the information provided is not intended to be advice. ERIKS shall never be liable for damage resulting from the use of the information provided.