



## ECON® Globe valve Type: 1270LM Aluminium Flange PN16

Aluminium globe valve, with aluminium sealing, fixed or loose [SDNR] disc and flange connection, pressure class PN16.

### Characteristics

- Type:** 1270LM
- Norm:** EN [DIN]
- Construction type:** Straight
- Housing material:** Aluminium
- Connection:** Flange
- Flange finish:** Flat face
- Stem seal type:** O-ring
- Spindle material:** EN AW-6082 [AlMgSi1]
- Primary spindle seal material:** NBR
- Material bonnet:** EN AW-6082 [AlMgSi1]
- Bonnet gasket material:** NBR
- Actuator material:** Aluminium
- Minimum medium temperature (continuous):** -10 °C

**Maximum medium temperature (continuous):** 100 °C

**Maximum pressure difference at 20 °C:** 16 bar

### Application

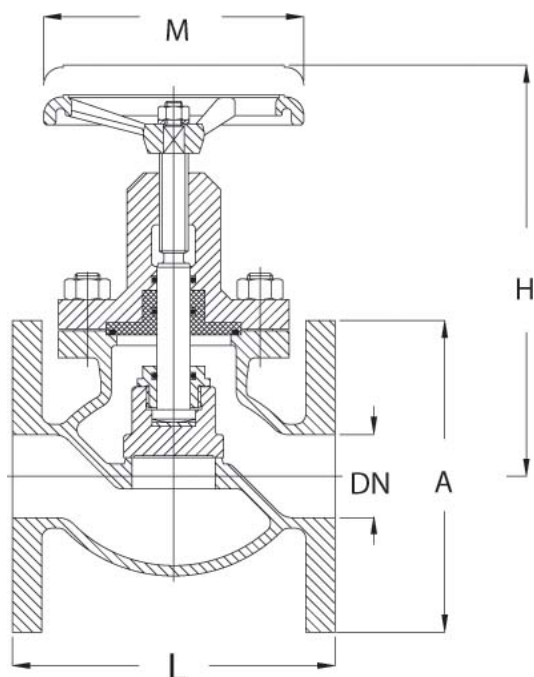
- On board ships (maritime).
- Neutral liquids and gases.

### Technical Information

- Testing: EN 12266-1.
- Bolted Bonnet.
- Anodized aluminum.

### Options

- Available in angle pattern type; 1271LM.



Size table:

DN	A	H	L	M	Weight
	mm	mm	mm	mm	kg
DN20	105	150	120	100	1.3
DN25	115	175	130	100	1.8
DN32	140	195	150	130	2.7
DN40	150	200	155	130	3.3
DN50	165	220	185	130	4.5
DN65	185	260	200	170	6.6
DN80	200	295	240	170	9.6
DN100	220	320	280	170	12

Material quality	Nominal inner diameter	Pressure rating	Face to Face norm	Face to Face length	Operation	Type of disc	Type of bonnet	Sealing	Material disc	Article	
				mm							
EN AC-51100 [AlMg3]	DN20	PN16	Manufacturer standard	120	Hand wheel, rising with rising stem	Fixed disc	Flanged	Metal	EN AW-6082 [AlMgSi1]	14544697	
EN AC-51100 [AlMg3]	DN20	PN16	Manufacturer standard	120	Hand wheel, rising with rising stem	Screw down non-return disc without spring	Flanged	Metal	EN AW-6082 [AlMgSi1]	14544698	

Disclaimer: The content of this document has been composed with the utmost care. However, it is possible that certain information changes over time, becomes inaccurate or incomplete. ERIKS does not guarantee that the information provided on this document is up to date, accurate and complete; the information provided is not intended to be advice. ERIKS shall never be liable for damage resulting from the use of the information provided.

## Globe Valves | Globe Valves with Flange Connection

Material quality	Nominal inner diameter	Pressure rating	Face to Face norm	Face to Face length	Operation	Type of disc	Type of bonnet	Sealing	Material disc	Article
				mm						
EN AC-51100 [AlMg3]	DN25	PN16	Manufacturer standard	130	Hand wheel, rising with rising stem	Fixed disc	Flanged	Metal	EN AW-6082 [AlMgSi1]	14544699
EN AC-51100 [AlMg3]	DN25	PN16	Manufacturer standard	130	Hand wheel, rising with rising stem	Screw down non-return disc without spring	Flanged	Metal	EN AW-6082 [AlMgSi1]	14544700
EN AC-51100 [AlMg3]	DN32	PN16	Manufacturer standard	150	Hand wheel, rising with rising stem	Fixed disc	Flanged	Metal	EN AW-6082 [AlMgSi1]	14544701
EN AC-51100 [AlMg3]	DN32	PN16	Manufacturer standard	150	Hand wheel, rising with rising stem	Screw down non-return disc without spring	Flanged	Metal	EN AW-6082 [AlMgSi1]	14491529
EN AC-51100 [AlMg3]	DN40	PN16	Manufacturer standard	155	Hand wheel, rising with rising stem	Fixed disc	Flanged	Metal	EN AW-6082 [AlMgSi1]	14544702
EN AC-51100 [AlMg3]	DN40	PN16	Manufacturer standard	155	Hand wheel, rising with rising stem	Screw down non-return disc without spring	Flanged	Metal	EN AW-6082 [AlMgSi1]	14544723
EN AC-51100 [AlMg3]	DN50	PN16	Manufacturer standard	185	Hand wheel, rising with rising stem	Fixed disc	Flanged	Metal	EN AW-6082 [AlMgSi1]	14544724
EN AC-51100 [AlMg3]	DN50	PN16	Manufacturer standard	185	Hand wheel, rising with rising stem	Screw down non-return disc without spring	Flanged	Metal	EN AW-6082 [AlMgSi1]	14544725
EN AC-51100 [AlMg3]	DN65	PN16	Manufacturer standard	200	Hand wheel, rising with rising stem	Fixed disc	Flanged	Metal	EN AW-6082 [AlMgSi1]	14544726
EN AC-51100 [AlMg3]	DN65	PN16	Manufacturer standard	200	Hand wheel, rising with rising stem	Screw down non-return disc without spring	Flanged	Metal	EN AW-6082 [AlMgSi1]	14544727
EN AC-51100 [AlMg3]	DN80	PN16	Manufacturer standard	240	Hand wheel, rising with rising stem	Fixed disc	Flanged	Metal	EN AW-6082 [AlMgSi1]	14544728
EN AC-51100 [AlMg3]	DN80	PN16	Manufacturer standard	240	Hand wheel, rising with rising stem	Screw down non-return disc without spring	Flanged	Metal	EN AW-6082 [AlMgSi1]	14491530
EN AC-51100 [AlMg3]	DN100	PN16	Manufacturer standard	280	Hand wheel, rising with rising stem	Fixed disc	Flanged	Metal	EN AW-6082 [AlMgSi1]	14544729
EN AC-51100 [AlMg3]	DN100	PN16	Manufacturer standard	280	Hand wheel, rising with rising stem	Screw down non-return disc without spring	Flanged	Metal	EN AW-6082 [AlMgSi1]	14544730

Disclaimer: The content of this document has been composed with the utmost care. However, it is possible that certain information changes over time, becomes inaccurate or incomplete. ERIKS does not guarantee that the information provided on this document is up to date, accurate and complete; the information provided is not intended to be advice. ERIKS shall never be liable for damage resulting from the use of the information provided.