

ADCA Thermostatic steam trap Type 2982 series TH32Y steel internal thread NPT



The ADCA series TH32YLC is a steel thermostatic steam trap equipped with an integrated filter and excellent venting. It is specifically designed for applications with processequipment such as boilers, sterilisers, food, chemical and washing equipment.

Characteristics

Series: TH32Y
Type: 2982
Construction type: Straight
Connection: Binnendraad
Standard connection: ASME B1.20.1
Pressure rating: PN40
PMA - maximum allowable pressure: 40 bar
TMA - maximum allowable temperature: 300 °C
PMO - maximum operating pressure: 22 bar
TMO - maximum operating temperature: 250 °C
Mounting direction: Any
Flow direction: through arrow marking on housing
Housing material: Steel [1.0460]
Material bonnet: Steel P250GH [1.0460]
Seat material: Stainless steel SS 304 [1.4301]

Material filter: Stainless steel SS 304 [1.4301]
Filter holder: Steel ASTM A105 [1.0432]
With built-in filter: Yes
Approvals: PED 2014/68/EU fluid group 2
PED classification: PED-SEP

Application

- Saturated steam.

Technical Information

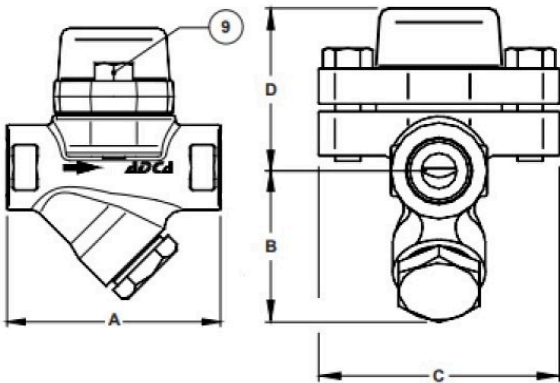
- Horizontal installation recommended, however can be installed in any position.

Options

- Blowdown valve.
- Integrated check valve.

Size table:

Dimension	A	B	C	D	Weight
	mm	mm	mm	mm	kg
1/2"	95	59	95	65	1.6
1"	95	65	95	65	1.8
3/4"	95	59	95	65	1.6



Model	Connection size	Capacity ¹ table in kg/h														
		dP 0.2 bar	dP 0.3 bar	dP 0.5 bar	dP 1 bar	dP 1.5 bar	dP 2 bar	dP 3 bar	dP 4 bar	dP 6 bar	dP 8 bar	dP 10 bar	dP 13 bar	dP 15 bar	dP 20 bar	dP 22 bar
TH32Y	1/2" - 1"	70	120	140	255	330	385	455	510	600	670	700	720	750	775	795

¹ Condensate 10 °C below saturated steam temperature.

Connection size	Maximum pressure difference bar	Filling	Subcooling °C	Article
1/2" NPT	22	Type S	10	14539858
1" NPT	22	Type S	10	14539860

Disclaimer: The content of this document has been composed with the utmost care. However, it is possible that certain information changes over time, becomes inaccurate or incomplete. ERIKS does not guarantee that the information provided on this document is up to date, accurate and complete; the information provided is not intended to be advice. ERIKS shall never be liable for damage resulting from the use of the information provided.

Connection size	Maximum pressure difference bar	Filling	Subcooling °C	Article
3/4" NPT	22	Type S	10	14539859

Disclaimer: The content of this document has been composed with the utmost care. However, it is possible that certain information changes over time, becomes inaccurate or incomplete. ERIKS does not guarantee that the information provided on this document is up to date, accurate and complete; the information provided is not intended to be advice. ERIKS shall never be liable for damage resulting from the use of the information provided.