

STAUFF Clamp body PP-BK polypropylene profiled Twin series



Characteristics

Series: Twin

Colour: Black

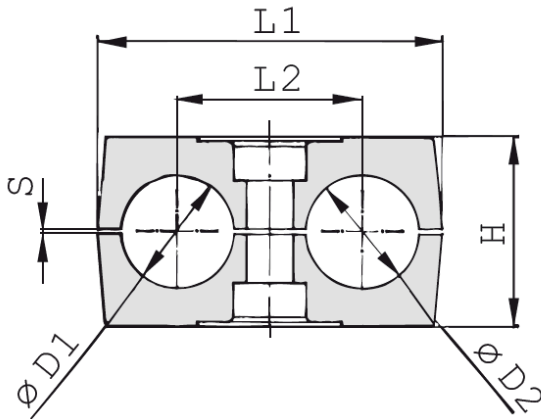
Profile: Profiled

Tension clearance: Yes

DIN Standard: DIN 3015-3

Size table:

Group	H mm	L1 mm	L2 mm	Width mm	S mm
1D	27	36	20	30	0.6
3D	37	67	36	30	0.7



Suitable for pipe diameter mm	Suitable for pipe diameter 2 mm	Group	Material	Article
8	8	1D	Polypropylene	14012336
25	25	3D	Polypropylene	14012315

Disclaimer: The content of this document has been composed with the utmost care. However, it is possible that certain information changes over time, becomes inaccurate or incomplete. ERIKS does not guarantee that the information provided on this document is up to date, accurate and complete; the information provided is not intended to be advice. ERIKS shall never be liable for damage resulting from the use of the information provided.