



## ADCA Trapping station threefold with bleed valve Type 8978 series CTS4UDB stainless steel external thread ISO 7/Rp

The Adca series CTS4UDB has been developed as a complete and compact three-component drainage station for use in steam systems where a simplified and economical maintenance programme is desired. It is designed to replace traditional multiple component stations and is equipped with two inlet and one outlet valve(s), a bleed valve, integrated filter and a non-return valve. Typical applications include as drop service on steam lines, tracing, SKIDs and small process equipment. Downtime and costs are reduced by the easy in-line maintenance of this drainage station. Thanks to 360° rotatable two-bolt flange connection, the steam trap can be replaced within minutes without disturbing the pipework. The CTS4UDB drainage station fits all steam traps equipped with a universal UCX swivel connector.

### Characteristics

**Series:** CTS4UDB

**Type:** 8978

**Construction type:** Straight

**Connection:** Internal thread

**Standard connection:** ISO 7/1 Rp

**Pressure rating:** PN40

**PMA - maximum allowable pressure:** 40 bar

**TMA - maximum allowable temperature:** 230 °C

**PMO - maximum operating pressure:** 17.5 bar

**TMO - maximum operating temperature:** 230 °C

**Operating temperature:** -10 / 230 °C

**With built-in filter:** Yes

**Housing material:** Stainless steel

**Material quality:** 1.4308

**Body seal:** PTFE

**Seat material:** PTFE/GR

**Material filter:** Stainless steel SS 304 [1.4301]

**Mounting direction:** Horizontal and vertical

**Flow direction:** through arrow marking on housing

**Approvals:** PED 2014/68/EU fluid group 2

**PED classification:** PED-SEP

### Application

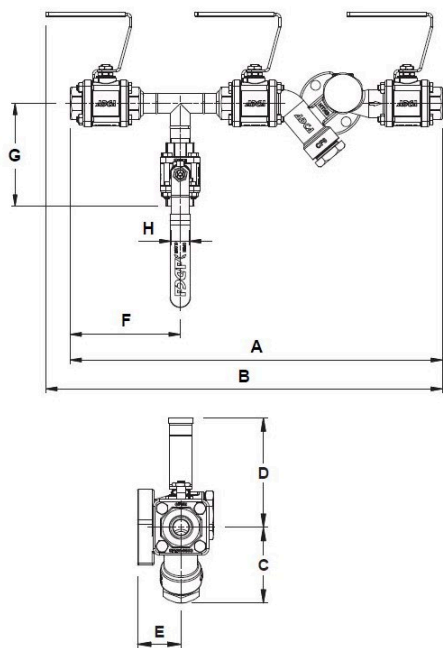
- Saturated steam.
- Superheated steam.

### Technical Information

- The recommended installation position of the trapping station is horizontal with the filter element pointing downwards. Vertical installation is possible, provided the flow direction is downwards and not upwards.

### Options

- Blowdown valve.



Size table:

Dimension	A	B	C	D	E	F	G	H	Weight
	mm	mm	mm	mm	mm	mm	mm		kg
1/2"	399	425	68	98	39	118	110	1/2"	4.8
1"	447	449	68	98	39	142	110	1/2"	5
3/4"	399	425	68	98	39	118	110	1/2"	4.7

Connection size	Nominal inner diameter	With automatic de-aerator	Article
1/2" BSP	DN15	No	14534274
1" BSP	DN25	No	14534276
3/4" BSP	DN20	No	14534275

Disclaimer: The content of this document has been composed with the utmost care. However, it is possible that certain information changes over time, becomes inaccurate or incomplete. ERIKS does not guarantee that the information provided on this document is up to date, accurate and complete; the information provided is not intended to be advice. ERIKS shall never be liable for damage resulting from the use of the information provided.