

## GOETZE Pressure reducing valve Type 1002 series 9000 bronze external thread (EN) DIN PN16



Type 1002 Series 9000 is a lead-free bronze pressure reducing valve for protection of water supply systems against excess supply pressure and when a constant supply pressure in the system is required.

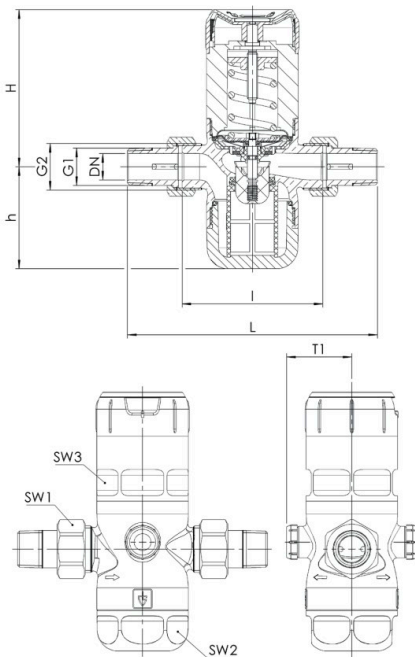
### Characteristics

- Series:** 9000mFO
- Type:** 1002
- Model:** Direct-acting
- Connection:** External thread
- Standard connection:** DIN EN 10226
- Maximum inlet pressure:** 16 bar
- PMO - maximum operating pressure:** 16 bar
- TMO - maximum operating temperature:** 40 °C
- Medium temperature:** 0 / 40 °C
- Housing material:** Bronze
- Material quality:** CuSn4Zn2PS
- O-ring material:** EPDM
- Material spring bonnet:** PA, glass-fiber reinforced
- Filter element material:** POM (Polyoxymethylene)
- Mesh width:** 160 µm
- Filter holder:** PA (Nylon)
- Flow direction:** through arrow marking on housing
- With couplers:** Yes

**Approvals:** ACS, DIN DVGW, PIB, SVGW, WRAS

### Application

- Drinking water supply systems
  - Cattle agriculture.
  - Irrigation technology.
  - Process water supply in industrial and building technology.
  - Machinery & equipment connected to the drinking water network.
- Medium:**
- Drinking water up to 40 °C.
  - Compressed air (oil-poor).
  - Nitrogen.



### Size table:

DN	G1	G2	h	H	I	L	SW1	SW2	SW3
			mm	mm	mm	mm	mm	mm	mm
DN40	1.1/2"	2"	94	151	130	220	65	75	75
DN32	1.1/4"	1.1/2"	64	111	105	191	52	66	65
DN15	1/2"	3/4"	58	89	80	136	30	46	46
DN25	1"	1.1/4"	64	111	100	170	46	66	65
DN50	2"	2.1/2"	94	151	140	254	80	75	75
DN20	3/4"	1"	58	89	90	152	37	46	46

Disclaimer: The content of this document has been composed with the utmost care. However, it is possible that certain information changes over time, becomes inaccurate or incomplete. ERIKS does not guarantee that the information provided on this document is up to date, accurate and complete; the information provided is not intended to be advice. ERIKS shall never be liable for damage resulting from the use of the information provided.

Connection size	Nominal inner diameter	Kvs value m <sup>3</sup> /h	Reduced pressure range bar	Article
1.1/2" BSPT(R)	DN40	19.5	0.5 / 3	14529699
1.1/2" BSPT(R)	DN40	19.5	3 / 12	14529698
1.1/2" BSPT(R)	DN40	19.5	1.5 / 7	14529697
1.1/4" BSPT(R)	DN32	10.5	0.5 / 3	14529696
1.1/4" BSPT(R)	DN32	10.5	3 / 12	14529695
1.1/4" BSPT(R)	DN32	10.5	1.5 / 7	14529694
1/2" BSPT(R)	DN15	3.4	0.5 / 3	14529687
1/2" BSPT(R)	DN15	3.4	3 / 12	14529686
1/2" BSPT(R)	DN15	3.4	1.5 / 7	14529685
1" BSPT(R)	DN25	9.3	0.5 / 3	14529693
1" BSPT(R)	DN25	9.3	3 / 12	14529692
1" BSPT(R)	DN25	9.3	1.5 / 7	14529691
2" BSPT(R)	DN50	20.5	1.5 / 7	14529700
2" BSPT(R)	DN50	20.5	3 / 12	14529701
2" BSPT(R)	DN50	20.5	0.5 / 3	14529702
3/4" BSPT(R)	DN20	4.4	3 / 12	14529689
3/4" BSPT(R)	DN20	4.4	1.5 / 7	14529688
3/4" BSPT(R)	DN20	4.4	0.5 / 3	14529690

Disclaimer: The content of this document has been composed with the utmost care. However, it is possible that certain information changes over time, becomes inaccurate or incomplete. ERIKS does not guarantee that the information provided on this document is up to date, accurate and complete; the information provided is not intended to be advice. ERIKS shall never be liable for damage resulting from the use of the information provided.