



ADCAPURE Ball valve Series: M3H Type: 8842 Stainless steel Butt welded loose end ASME-BPE PN16 to PN100

Three-piece M3H ball valves are shut-off valves for use with clean steam, condensate and other gases and liquids used in very pure and aseptic processes.

The ball valves have a "real bore" design with a floating ball, meaning that the passage for the ball is the same size as the inside diameter of the connection without clogging or narrowing.

Characteristics

Series: M3H

Type: 8842

Norm: ASME

Construction type: 2-way

Housing construction: 3-part

Housing material: Stainless steel

Material quality: 1.4409

Internal roughness value: Ra 0.51 µm

Connection: Butt welded loose end

Standard welding connection: ASME-BPE

Top flange standard: ISO 5211

Material ball: 1.4404

Seat material: TFM 1600

Spindle material: 1.4404

Primary spindle seal material: TFM 1600

Secondary spindle seal material: FPM (FKM)

Tertiary spindle seal material: TFM 1600

Material connection piece: 1.4404

Actuator material: 1.4301

Minimum medium temperature (continuous): -29 °C

Maximum medium temperature (continuous): 220 °C

Application

- For pharmaceuticals, biotechnology, semiconductor, cosmetics, fine chemicals, food and beverage industry.
- The ball valves can only be used as an open/closed valve.
- Recommended in: Pharma

Technical Information

- Butt weld connection according to ASME BPE, extended for orbital welding with rotatable weld ends [360° rotation after mounting].
- Concept with floating ball.
- Housings and ends in accordance with A351 CF3M with a ferrite content of less than 2% and a sulphur content of 0.005% to 0.017%.
- The 3-piece construction can be retained without having to be removed from the piping.
- Bidirectional.
- Upper flange in accordance with ISO5211.
- Fitted with flat handle.
- Pressure class PN100 for 3/8" to 3/4" and PN63 for 1" to 2" and PN40 for 2.1/2" to 4" and PN16 for 6".
- Internal wet parts Ra 0.51 ≤ and ultrasonic cleaning.
- Assemble and pack in a certified cleanroom in accordance with ISO 14644-1.

Construction

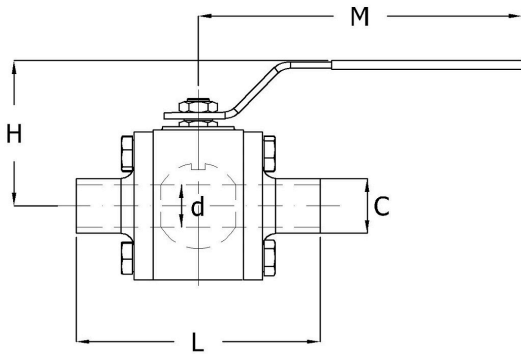
- Three-piece housing construction.
- Real bore planning.
- Equipped with antistatic device between ball and housing.
- Anti-blow out spindle.

Options

- Available with either a pneumatic or electric actuator.
- Position feedback for automated ball valves.
- Other sealing materials.
- Degrease before using oxygen.
- Cavity filler.
- With extension spindle for insulation, manual or with actuator and optionally with leak detection connection.
- With locking device.
- Connections according to ASME BPE three terminals, ISO 11850 butt weld and DIN 32676 three terminals.

Size table:

DN	d	L	H	M	C	Weight
	mm	mm	mm	mm	mm	kg
1/2" [15]	9.4	101.6	65	150	12.7	1.49
3/4" [20]	15.8	114.3	69	150	19.05	1.94
1" [25]	22.1	127	87	175	25.4	2.62
1.1/2" [40]	34.8	152.4	114	207	38.1	5.5
2" [50]	47.5	177.8	124	232	50.8	7
2.1/2" [65]	60.2	203	169	400	63.5	13.3
3" [80]	72.9	228	180	400	76.2	18.6
4" [100]	97.4	267	198	400	101.6	29.6



Pressure and temperature range with TFM1600 seats

Size	-29	0	50	100	150	200	220	[°C]
3/8" - 3/4"	100	100	100	79	44	10	0	[bar]
1" - 2"	63	63	63	49	30	10	0	[bar]
2.1/2" - 4"	40	40	40	33	22	10	0	[bar]
6"	16	16	16	14	12	10	0	[bar]

Nominal inner diameter	External tube diameter of connection	Wall thickness, connection	Pressure rating	Face to Face norm	Manual operation	Mounting flange	Bore	With locking device	Body seal	Article
	mm	mm								
1/2" [15]	12.7	1.65	PN100	Manufacturer standard	Handle	F03	True bore	No	TFM 1600	14523761
3/4" [20]	19.05	1.65	PN100	Manufacturer standard	Handle	F04	True bore	No	TFM 1600	14523762
1" [25]	25.4	1.65	PN100	Manufacturer standard	Handle	F04	True bore	No	TFM 1600	14523763
1.1/2" [40]	38.1	1.65	PN63	Manufacturer standard	Handle	F05	True bore	No	TFM 1600	14523765
2" [50]	50.8	1.65	PN63	Manufacturer standard	Handle	F05	True bore	No	TFM 1600	14523766
2.1/2" [65]	63.5	1.65	PN40	Manufacturer standard	Handle	F07	True bore	No	PTFE	14523767
3" [80]	76.2	1.65	PN40	Manufacturer standard	Handle	F07	True bore	No	PTFE	14523783
4" [100]	101.06	1.65	PN40	Manufacturer standard	Handle	F10	True bore	No	PTFE	14523784

Disclaimer: The content of this document has been composed with the utmost care. However, it is possible that certain information changes over time, becomes inaccurate or incomplete. ERIKS does not guarantee that the information provided on this document is up to date, accurate and complete; the information provided is not intended to be advice. ERIKS shall never be liable for damage resulting from the use of the information provided.