



HAVIT SAE 45° flange adapter DIN 3901 metric (only 45° flange-adapter) WFG

Supplied without split flanges, bolt set and O-ring.

Characteristics

Series: WFG

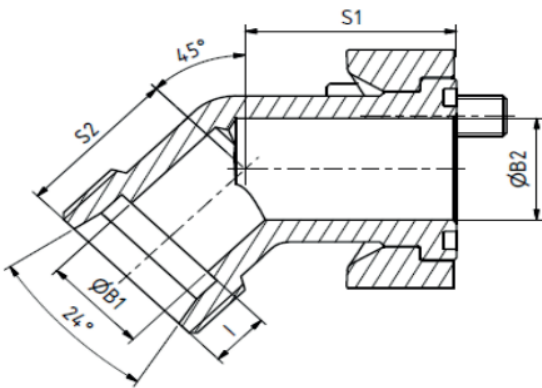
Flange type: SAE 45° flange adapter

Material: Steel

Thread form: Metric 24° cone

Size table:

Pressure class	SAE flange size	B1	B2	S1	S2	SW
psi	in	mm	mm	mm	mm	mm
3000	1/2	12	12	39	32.5	24
3000	3/4	15	19	40.15	32.5	30
3000	3/4	19	19	40.15	32.5	30
3000	3/4	16	19	40.15	32.5	30
3000	3/4	20	19	40.15	32.5	30
3000	1	20	25	47	37.35	36
3000	1	24	25	47	37.35	36
3000	1.1/4	25	27	51.8	40.4	41
3000	1.1/4	27	27	51.8	40.4	41
3000	1.1/2	30	36	60.45	45.2	50
3000	1.1/2	36	36	60.45	45.2	50
6000	1/2	12	12	39	32.5	24
6000	3/4	12	17	40.15	32.5	32
6000	3/4	16	17	40.15	32.5	32
6000	3/4	20	17	40.15	32.5	32
6000	1	20	24	47	37.35	41
6000	1	25	24	47	37.35	41
6000	1.1/4	25	31	51.8	40.4	46
6000	1.1/4	30	31	51.8	40.4	46
6000	1.1/2	30	36	60.45	45.2	50



Pressure class	SAE flange size	Surface protection	Thread size	Max. operation pressure	Article
psi	in			bar	
3000	1/2	Zinc Plated	15L - M22x1.5	315	14312639
3000	1/2	Zinc Plated	16S - M24x1.5	350	14312645
3000	3/4	Zinc Plated	18L - M26x1.5	315	14312716
3000	3/4	Zinc Plated	18L - M26x1.5	160	14312722
3000	3/4	Zinc Plated	20S - M30x2.0	350	14312728
3000	3/4	Zinc Plated	25S - M36x2.0	350	14312734

Disclaimer: The content of this document has been composed with the utmost care. However, it is possible that certain information changes over time, becomes inaccurate or incomplete. ERIKS does not guarantee that the information provided on this document is up to date, accurate and complete; the information provided is not intended to be advice. ERIKS shall never be liable for damage resulting from the use of the information provided.

Pressure class psi	SAE flange size in	Surface protection	Thread size	Max. operation pressure bar	Article
3000	1	Zinc Plated	25S - M36x2.0	250	14312815
3000	1	Zinc Plated	28L - M36x2.0	160	14312810
3000	1	Zinc Plated	30S - M42x2.0	250	14312821
3000	1.1/4	Zinc Plated	30S - M42x2.0	280	14312957
3000	1.1/4	Zinc Plated	35L - M45x2.0	160	14312950
3000	1.1/4	Zinc Plated	38S - M52x2.0	280	14312965
3000	1.1/2	Zinc Plated	38S - M52x2.0	210	14313052
3000	1.1/2	Zinc Plated	42L - M52x2.0	160	14313047
6000	1/2	Zinc Plated	16S - M24x1.5	420	14313107
6000	3/4	Zinc Plated	16S - M24x1.5	420	14313172
6000	3/4	Zinc Plated	20S - M30x2.0	420	14313177
6000	3/4	Zinc Plated	25S - M36x2.0	420	14313183
6000	1	Zinc Plated	25S - M36x2.0	420	14313237
6000	1	Zinc Plated	30S - M42x2.0	420	14313243
6000	1.1/4	Zinc Plated	30S - M42x2.0	420	14313314
6000	1.1/4	Zinc Plated	38S - M52x2.0	350	14313319
6000	1.1/2	Zinc-Nickel	38S - M52x2.0	350	14313380

Disclaimer: The content of this document has been composed with the utmost care. However, it is possible that certain information changes over time, becomes inaccurate or incomplete. ERIKS does not guarantee that the information provided on this document is up to date, accurate and complete; the information provided is not intended to be advice. ERIKS shall never be liable for damage resulting from the use of the information provided.