



ADCA Pneumatic actuated control valve Type: 25821 Series: V16/2G Ductile iron Flange EN (DIN) PN16

Characteristics

Series: V16/2G
Type: 25821
Function: Control valve
Construction type: Straight
Housing material: Ductile cast iron
Material quality: EN-GJS-400-15
Surface protection: Standard manufacturers coating
Process connection: Flange
Standard connection: EN 1092-2
Ground characteristic: Equal percentage
Plug: Parabolic cone
Control range: 50:1
Leakage class: IV according IEC 60534-4
Stem seal type: Roof cuffs
Material bonnet: ASTM A216 WCB/1.0619
Material cone: Stainless steel 316L [1.4404]
Seat material: Stainless steel 316L [1.4404]
Spindle material: Stainless steel 316L [1.4404]
Primary spindle seal material: PTFE
Bonnet gasket material: Graphite
Type of actuator: Pneumatic
Function actuator: Spring closing
Positioner: ECON 3301
Control signal: 4 - 20 mA
With feedback signal: No
Explosion-proof: No
Level of protection (IP value): IP66
With end contacts: No
Position indicator: Yes
Manual operation: No
Medium temperature: -10 / 220 °C
Ambient temperature: -10 / 80 °C

Application

- Water, neutral liquids and gases.
- Steam.
- Thermo oil or volatile gases (with option stainless steel spindle bellows).

Technical Information

- Compact and modular design.
- Robust cone guide.
- 360° Rotatable actuator.
- Wide control range and control ratio 50:1.
- Low leakage rate - Class IV according to IEC 60534-4.
- Equiprocentual control characteristic.
- Pneumatic actuator with spring return.
- Econ® Series 3300 digital positioner.

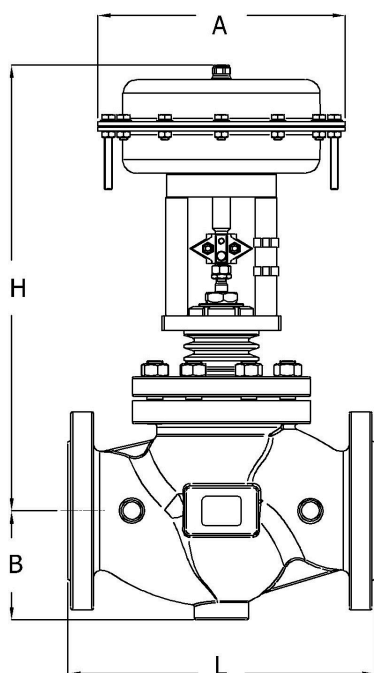
Approval

PED 2014/68/EU fluid group 2

- DN15 - DN50 ; Classification PED-SEP.
- DN65 - DN100 ; Classification PED-Cat.I [CE marking].

Options

- Stainless steel spindle bellows.
- Various sealing variants.
- Positioners with feedback 4 - 20 mA and HART.
- Body in steel or stainless steel, PN16 or PN40.
- Actuator in stainless steel.
- Electric actuator.



Size table:

| DN | Actuator | A mm | H mm | L mm | Weight kg |
|-------|----------|---------|---------|---------|--------------|
| DN15 | PA10 | 170 | 407 | 130 | 15 |
| DN20 | PA10 | 170 | 408 | 150 | 16 |
| DN25 | PA10 | 170 | 418 | 160 | 17 |
| DN32 | PA10 | 170 | 430 | 180 | 20 |
| DN32 | PA25 | 250 | 439 | 180 | 24 |
| DN40 | PA25 | 250 | 448 | 200 | 26.5 |
| DN50 | PA25 | 250 | 470 | 230 | 30 |
| DN65 | PA25 | 250 | 536 | 290 | 45.5 |
| DN65 | PA40 | 300 | 601 | 290 | 54 |
| DN80 | PA40 | 300 | 617 | 310 | 60.5 |
| DN100 | PA40 | 300 | 649 | 350 | 73 |

| Nominal inner diameter | Size process connection | Pressure rating | Pressure rating flange | Kvs value | Stroke | Type coding actuator | Diaphragm area | Spring range | Closing pressure | Article |
|------------------------|-------------------------|-----------------|------------------------|-------------------|--------|----------------------|----------------|---------------|------------------|----------|
| | | | | m ³ /h | | | | | | |
| DN15 | DN15 | PN16 | PN16 | 2.7 | 20 | PA10 | 100 | 0.2 - 1.0 bar | 16 | 14507607 |
| DN15 | DN15 | PN16 | PN16 | 4 | 20 | PA10 | 100 | 0.2 - 1.0 bar | 11.1 | 14507608 |
| DN20 | DN20 | PN16 | PN16 | 4 | 20 | PA10 | 100 | 0.2 - 1.0 bar | 11.1 | 14507609 |
| DN20 | DN20 | PN16 | PN16 | 6.3 | 20 | PA10 | 100 | 1.2 - 2.0 bar | 16 | 14507610 |
| DN25 | DN25 | PN16 | PN16 | 6.3 | 20 | PA10 | 100 | 1.2 - 2.0 bar | 16 | 14507611 |
| DN25 | DN25 | PN16 | PN16 | 10 | 20 | PA10 | 100 | 1.2 - 2.0 bar | 12.8 | 14507612 |
| DN32 | DN32 | PN16 | PN16 | 10 | 20 | PA10 | 100 | 1.2 - 2.0 bar | 12.8 | 14507613 |
| DN32 | DN32 | PN16 | PN16 | 16 | 20 | PA25 | 250 | 0.4 - 2.0 bar | 16 | 14507614 |
| DN40 | DN40 | PN16 | PN16 | 16 | 20 | PA25 | 250 | 0.4 - 2.0 bar | 16 | 14507615 |
| DN40 | DN40 | PN16 | PN16 | 25 | 20 | PA25 | 250 | 1.0 - 2.0 bar | 15.5 | 14507616 |
| DN50 | DN50 | PN16 | PN16 | 25 | 20 | PA25 | 250 | 1.0 - 2.0 bar | 15.5 | 14507617 |
| DN50 | DN50 | PN16 | PN16 | 40 | 20 | PA25 | 250 | 2.0 - 4.0 bar | 16 | 14507618 |
| DN65 | DN65 | PN16 | PN16 | 40 | 20 | PA25 | 250 | 2.0 - 4.0 bar | 16 | 14507619 |
| DN65 | DN65 | PN16 | PN16 | 63 | 30 | PA40 | 400 | 2.0 - 4.0 bar | 16 | 14507620 |
| DN80 | DN80 | PN16 | PN16 | 63 | 30 | PA40 | 400 | 2.0 - 4.0 bar | 16 | 14507621 |
| DN80 | DN80 | PN16 | PN16 | 100 | 30 | PA40 | 400 | 2.0 - 4.0 bar | 13.2 | 14507622 |
| DN100 | DN100 | PN16 | PN16 | 100 | 30 | PA40 | 400 | 2.0 - 4.0 bar | 13.2 | 14507623 |
| DN100 | DN100 | PN16 | PN16 | 160 | 30 | PA40 | 400 | 2.0 - 4.0 bar | 8.1 | 14507624 |

Disclaimer: The content of this document has been composed with the utmost care. However, it is possible that certain information changes over time, becomes inaccurate or incomplete. ERIKS does not guarantee that the information provided on this document is up to date, accurate and complete; the information provided is not intended to be advice. ERIKS shall never be liable for damage resulting from the use of the information provided.