

Ball check valve Type: 2646 Stainless steel Internal thread (BSPP) PN16

Stainless steel ball check valve with floating or sinking ball and thread ends PN16.



Characteristics

- Type:** 2646
- Norm:** EN (DIN)
- Construction type:** Straight
- Housing material:** Stainless steel
- Material quality:** ASTM A351 CF8M
- Connection:** Internal thread (BSPP)
- Face to Face norm:** Manufacturer standard
- Maximum medium temperature (continuous):** 80 °C
- Maximum pressure difference at 20 °C:** 16 bar

Application

- Water treatment plants, sewage treatment plants, waterworks, pumping stations, etc.
- Liquids with solid particles.
- Can be used as an air vent with floating ball.

Technical Information

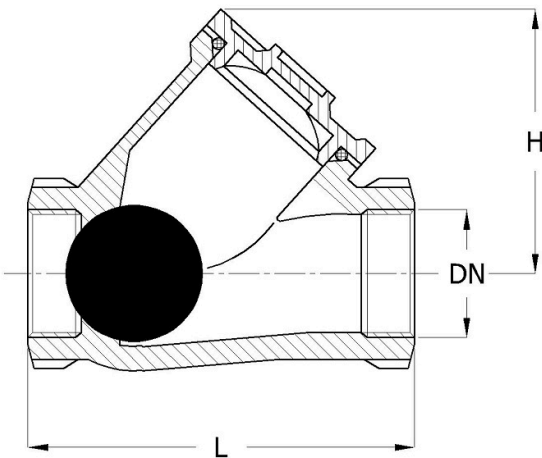
- Design: EN14341 (EN12516).
- Self-cleaning ball.
- Full bore.
- Low pressure loss.

Options

- Available in ductile cast iron; type 2631.
- Available with flanged ends; type 2645.

Size table:

DN	H	L	Weight
	mm	mm	kg
1" [25]	85	141	2.2
1.1/4" [32]	85	141	2.2
1.1/2" [40]	90	150	2.8
2" [50]	115	175	3.9



Size	Pressure	Temperature range
1" up to 3"	16 bar	-10/+80°C

Nominal inner diameter	Pressure rating	Face to Face length	Valve shape	Kv value	Sealing	Material disc	Material cover	Material cover gasket	Minimum medium temperature (continuous)	Article
		mm		m ³ /h					°C	
1" [25]	PN16	141	Floating ball	21	NBR	Plastic	ASTM A351 CF8M	NBR	-10	14480347

Disclaimer: The content of this document has been composed with the utmost care. However, it is possible that certain information changes over time, becomes inaccurate or incomplete. ERIKS does not guarantee that the information provided on this document is up to date, accurate and complete; the information provided is not intended to be advice. ERIKS shall never be liable for damage resulting from the use of the information provided.

Nominal inner diameter	Pressure rating	Face to Face length	Valve shape	Kv value	Sealing	Material disc	Material cover	Material cover gasket	Minimum medium temperature (continuous)	Article
		mm		m ³ /h					°C	
1" [25]	PN16	141	Sinking ball	21	NBR	Aluminium + NBR	ASTM A351 CF8M	NBR	-10	14480343
1.1/4" [32]	PN16	141	Floating ball	29	NBR	Plastic	ASTM A351 CF8M	NBR	-10	14480348
1.1/4" [32]	PN16	141	Sinking ball	29	NBR	Aluminium + NBR	ASTM A351 CF8M	NBR	-10	14480344
1.1/2" [40]	PN16	150	Floating ball	57	NBR	Plastic	ASTM A351 CF8M	NBR	-10	14480349
1.1/2" [40]	PN16	150	Sinking ball	57	NBR	Aluminium + NBR	ASTM A351 CF8M	NBR	-10	14480345
2" [50]	PN16	175	Floating ball	78	NBR	Plastic	ASTM A351 CF8M	NBR	-10	14480350
2" [50]	PN16	175	Sinking ball	78	NBR	Aluminium + NBR	ASTM A351 CF8M	NBR	-10	14480346

Disclaimer: The content of this document has been composed with the utmost care. However, it is possible that certain information changes over time, becomes inaccurate or incomplete. ERIKS does not guarantee that the information provided on this document is up to date, accurate and complete; the information provided is not intended to be advice. ERIKS shall never be liable for damage resulting from the use of the information provided.