

Ball check valve Type: 2645 Stainless steel Flange PN10/16

Stainless steel ball check valve with floating or sinking ball and flange connection PN10 or 16.



Characteristics

- Type:** 2645
- Norm:** EN (DIN)
- Construction type:** Straight
- Housing material:** Stainless steel
- Material quality:** ASTM A351 CF8M
- Connection:** Flange
- Flange finish:** Raised face
- Face to Face norm:** Manufacturer standard
- Minimum medium temperature (continuous):** -10 °C
- Maximum medium temperature (continuous):** 80 °C



Application

- Water treatment plants, sewage treatment plants, waterworks, pumping stations, etc.
- Liquids with solid particles.
- Can be used as an air vent with floating ball.

Technical Information

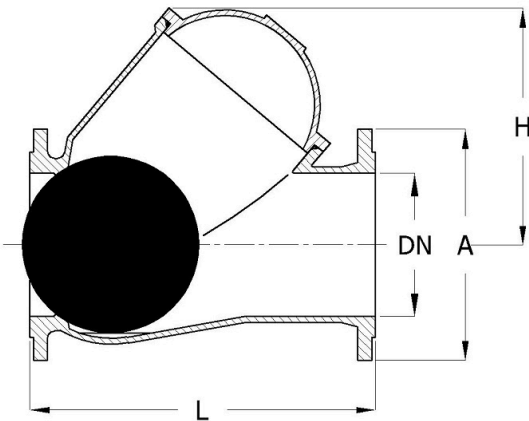
- Design: EN14341 [EN12516].
- Self-cleaning ball.
- Full bore.
- Low pressure loss.

Options

- Available in ductile cast iron; type 2630.
- Available with threaded ends; type 2646.

Size table:

DN	A mm	H mm	L mm	Weight kg
DN50	165	115	200	8.4
DN50	165	115	200	9.4
DN65	185	135	240	11.5
DN65	185	135	240	12.5
DN80	200	160	260	13
DN80	200	160	260	15
DN100	226	190	300	18
DN100	226	190	300	20
DN125	253	222	350	28
DN125	253	222	350	30
DN150	285	268	400	36
DN150	285	268	400	38
DN200	342	335	500	65
DN200	342	335	500	70



Size	Pressure	Temperature range
DN40 - DN100	10 bar	-10/+80°C
DN125 - DN200	6 bar	-10/+80°C
DN250 - DN400	3 bar	-10/+80°C

Disclaimer: The content of this document has been composed with the utmost care. However, it is possible that certain information changes over time, becomes inaccurate or incomplete. ERIKS does not guarantee that the information provided on this document is up to date, accurate and complete; the information provided is not intended to be advice. ERIKS shall never be liable for damage resulting from the use of the information provided.

Nominal inner diameter	Pressure rating	Face to Face length	Valve shape	Kv value	Sealing	Material disc	Material cover	Material cover gasket	Maximum pressure difference at 20 °C	Article
		mm		m ³ /h					bar	
DN50	PN16	200	Floating ball	81	NBR	Plastic	ASTM A351 CF8M	NBR	16	14480355
DN50	PN16	200	Sinking ball	81	NBR	Aluminium + NBR	ASTM A351 CF8M	NBR	16	14480351
DN65	PN16	240	Floating ball	130	NBR	Plastic	ASTM A351 CF8M	NBR	16	14480337
DN65	PN16	240	Sinking ball	130	NBR	Aluminium + NBR	ASTM A351 CF8M	NBR	16	14480334
DN80	PN16	260	Floating ball	255	NBR	Plastic	ASTM A351 CF8M	NBR	16	14480338
DN80	PN16	260	Sinking ball	255	NBR	Aluminium + NBR	ASTM A351 CF8M	NBR	16	14480352
DN100	PN16	300	Floating ball	400	NBR	Plastic	ASTM A351 CF8M	NBR	16	14480339
DN100	PN16	300	Sinking ball	400	NBR	Aluminium + NBR	ASTM A351 CF8M	NBR	16	14480335
DN125	PN16	350	Floating ball	645	NBR	Plastic	ASTM A351 CF8M	NBR	16	14480340
DN125	PN16	350	Sinking ball	645	NBR	Aluminium + NBR	ASTM A351 CF8M	NBR	16	14480336
DN150	PN16	400	Floating ball	970	NBR	Plastic	ASTM A351 CF8M	NBR	16	14480341
DN150	PN16	400	Sinking ball	970	NBR	Aluminium + NBR	ASTM A351 CF8M	NBR	16	14480353
DN200	PN10	500	Floating ball	2000	NBR	Plastic	ASTM A351 CF8M	NBR	10	14480342
DN200	PN10	500	Sinking ball	2000	NBR	Aluminium + NBR	ASTM A351 CF8M	NBR	10	14480354

Disclaimer: The content of this document has been composed with the utmost care. However, it is possible that certain information changes over time, becomes inaccurate or incomplete. ERIKS does not guarantee that the information provided on this document is up to date, accurate and complete; the information provided is not intended to be advice. ERIKS shall never be liable for damage resulting from the use of the information provided.