

VOSS Swivel connector BSP with 24° Taper / O-Ring SWOSDS E



- Swivel connector
- With taper and FKM O-ring
- Male thread: BSPP thread, cylindrical
- Sealing type: Profile sealing ring PEFLEX (Form E)
- L and S series
- Complete with nut and cutting ring
- Steel, zinc-nickel coated

Characteristics

Series: EGVD-R-WD

Material: Steel

Surface protection: Zinc-Nickel

Adjustable: Yes

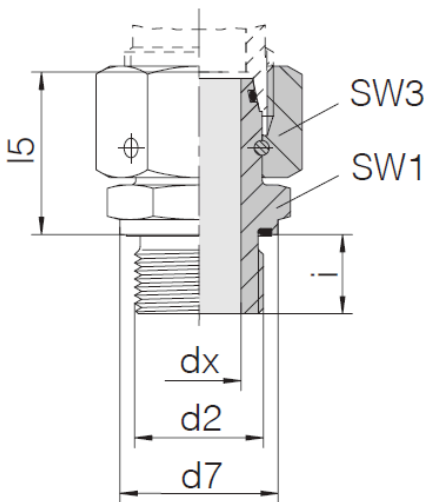
Connection 1: Standpipe connection DKO

Connection 2: External thread

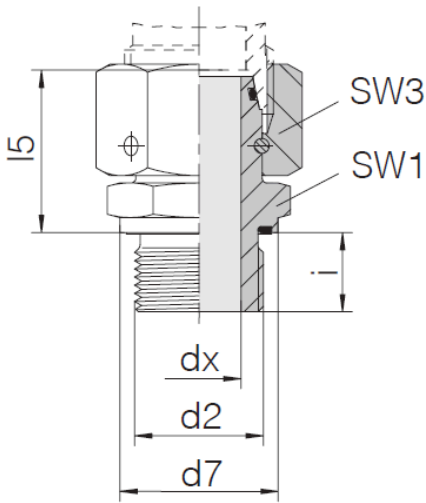
Port seal: Profile sealing ring PEFLEX (Form E)

Size table:

d2	d7	dx	i	l5	SW1	SW3
	mm	mm	mm	mm	mm	mm
G 1/8"	13.9	2.5	8	24.5	14	14
G 1/4"	18.9	2.5	12	27	19	17
G 1/4"	18.9	4.5	12	29.5	19	17
G 1/8"	13.9	4	8	24	14	17
G 1/4"	18.9	4	12	29.5	19	19
G 1/2"	26.9	6	14	28.5	27	19
G 1/4"	18.9	6	12	27.5	19	19
G 3/8"	21.9	6	12	28	22	19
G 1/4"	18.9	5	12	32	19	22
G 3/8"	21.9	6	12	32	22	22
G 1/2"	26.9	8	14	32	27	22
G 1/4"	18.9	6	12	27.5	19	22
G 3/8"	21.9	8	12	34	22	22
G 1/2"	26.9	8	14	35.5	27	24
G 1/4"	18.9	5	12	30	19	24
G 3/8"	21.9	8	12	34	22	24
G 1/2"	26.9	9	14	36.5	27	27
G 1/2"	26.9	10	14	32	27	27
G 3/8"	21.9	9	12	32.5	22	27
G 1/2"	26.9	11	14	37	27	30
G 1/2"	26.9	13	14	31.5	27	32



Disclaimer: The content of this document has been composed with the utmost care. However, it is possible that certain information changes over time, becomes inaccurate or incomplete. ERIKS does not guarantee that the information provided on this document is up to date, accurate and complete; the information provided is not intended to be advice. ERIKS shall never be liable for damage resulting from the use of the information provided.



Size table:

	d2	d7	dx	i	l5	SW1	SW3
G 3/4"	31.9	13	16	31.5	32	32	
G 1/2"	26.9	12	14	43	27	36	
G 1"							
G 3/4"	31.9	14	16	43	32	36	
G 1/2"	26.9	14	14	32	27	36	
G 3/4"	31.9	17	16	32.5	32	36	
G 1"	39.9	18	18	48	41	46	
G 3/4"	31.9	16	16	48	32	46	
G 1"	39.9	22	18	35	41	41	
G 1.1/4"	49.9	23	20	51	50	50	
G 1.1/4"	49.9	28	20	42.5	50	50	
G 1.1/2"	54.9	30	22	60	55	60	
G 1.1/2"	54.9	34	22	46.5	55	60	

Designation	Manufacturer ID	Connection size 1	Connection size 2	Nominal pressure	Article
EGE06LR1/8EDB DKO V	24-SWOSDS-L6-G1/8E	6L - M12x1.5	1/8" BSP cyl.	PN500	906867
EGE06SR1/4EDB DKO V	24-SWOSDS-S6-G1/4E	6S - M14x1.5	1/4" BSP cyl.	PN800	907103
EGE08LR1/4EDB DKO V	24-SWOSDS-L8-G1/4E	8L - M14x1.5	1/4" BSP cyl.	PN500	906891
EGE08LR1/8EDB DKO V	24-SWOSDS-L8-G1/8E	8L - M14x1.5	1/8" BSP cyl.	PN500	11331512
EGE08SR1/4EDB DKO V	24-SWOSDS-S8-G1/4E	8S - M16x1.5	1/4" BSP cyl.	PN800	907227
EGE10LR1/2EDB DKO V	24-SWOSDS-L10-G1/2E	10L - M16x1.5	1/2" BSP cyl.	PN400	11451147
EGE10LR1/4EDB DKO V	24-SWOSDS-L10-G1/4E	10L - M16x1.5	1/4" BSP cyl.	PN500	906905
EGE10LR3/8EDB DKO V	24-SWOSDS-L10-G3/8E	10L - M16x1.5	3/8" BSP cyl.	PN400	11307030
EGE10SR1/4EDV DKO V	24-SWOSDS-S10-G1/4E-FKM	10S - M18x1.5	1/4" BSP cyl.	PN800	11915791
EGE10SR3/8EDB DKO V	24-SWOSDS-S10-G3/8E	10S - M18x1.5	3/8" BSP cyl.	PN800	907235
EGE12LR1/2EDB DKO V	24-SWOSDS-L12-G1/2E	12L - M18x1.5	1/2" BSP cyl.	PN400	1060880
EGE12LR1/4EDB DKO V	24-SWOSDS-L12-G1/4E	12L - M18x1.5	1/4" BSP cyl.	PN500	1054049
EGE12LR3/8EDB DKO V	24-SWOSDS-L12-G3/8E	12L - M18x1.5	3/8" BSP cyl.	PN400	906913
EGE12SR1/2EDB DKO V	24-SWOSDS-S12-G1/2E	12S - M20x1.5	1/2" BSP cyl.	PN630	11451154
EGE12SR1/4EDB DKO V	24-SWOSDS-S12-G1/4E	12S - M20x1.5	1/4" BSP cyl.	PN630	11288995
EGE12SR3/8EDB DKO V	24-SWOSDS-S12-G3/8E	12S - M20x1.5	3/8" BSP cyl.	PN630	907243
EGE14SR1/2EDB DKO V	24-SWOSDS-S14-G1/2E	14S - M22x1.5	1/2" BSP cyl.	PN630	11451151
EGE15LR1/2EDB DKO V	24-SWOSDS-L15-G1/2E	15L - M22x1.5	1/2" BSP cyl.	PN400	906921
EGE15LR3/8EDB DKO V	24-SWOSDS-L15-G3/8E	15L - M22x1.5	3/8" BSP cyl.	PN400	11451148
EGE16SR1/2EDB DKO V	24-SWOSDS-S16-G1/2E	16S - M24x1.5	1/2" BSP cyl.	PN630	907251
EGE18LR1/2EDB DKO V	24-SWOSDS-L18-G1/2E	18L - M26x1.5	1/2" BSP cyl.	PN400	906964
EGE18LR3/4EDB DKO V	24-SWOSDS-L18-G3/4E	18L - M26x1.5	3/4" BSP cyl.	PN250	11553316
EGE20SR1/2EDB DKO V	24-SWOSDS-S20-G1/2E	20S - M30x2.0	1/2" BSP cyl.	PN420	11451152
EVGE20SR1EDB DKO V	24-SWOSDS-S20-G1E	20S - M30x2.0	1" BSP cyl.		12105958
EGE20SR3/4EDB DKO V	24-SWOSDS-S20-G3/4E	20S - M30x2.0	3/4" BSP cyl.	PN420	907278
EGE22LR1/2EDB DKO V	24-SWOSDS-L22-G1/2E	22L - M30x2.0	1/2" BSP cyl.	PN250	11451150
EGE22LR3/4EDB DKO V	24-SWOSDS-L22-G3/4E	22L - M30x2.0	3/4" BSP cyl.	PN250	907049
EGE25SR1EDB DKO V	24-SWOSDS-S25-G1E	25S - M36x2.0	1" BSP cyl.	PN420	907294
EGE25SR3/4EDB DKO V	24-SWOSDS-S25-G3/4E	25S - M36x2.0	3/4" BSP cyl.	PN420	11758444
EGE28LR1EDB DKO V	24-SWOSDS-L28-G1E	28L - M36x2.0	1" BSP cyl.	PN250	907057
EGE30SR1.1/4EDB DKO V	24-SWOSDS-S30-G11/4E	30S - M42x2.0	1.1/4" BSP cyl.	PN420	907332

Disclaimer: The content of this document has been composed with the utmost care. However, it is possible that certain information changes over time, becomes inaccurate or incomplete. ERIKS does not guarantee that the information provided on this document is up to date, accurate and complete; the information provided is not intended to be advice. ERIKS shall never be liable for damage resulting from the use of the information provided.

Designation	Manufacturer ID	Connection size 1	Connection size 2	Nominal pressure	Article
EGE35LR1.1/4EDB DKO V	24-SWOSDS-L35-G11/4E	35L - M45x2.0	1.1/4" BSP cyl.	PN250	907065
EGE38SR1.1/2EDB DKO V	24-SWOSDS-S38-G11/2E	38S - M52x2.0	1.1/2" BSP cyl.	PN420	764949
EGE42LR1.1/2EDB DKO V	24-SWOSDS-L42-G11/2E	42L - M52x2.0	1.1/2" BSP cyl.	PN250	907081

Disclaimer: The content of this document has been composed with the utmost care. However, it is possible that certain information changes over time, becomes inaccurate or incomplete. ERIKS does not guarantee that the information provided on this document is up to date, accurate and complete; the information provided is not intended to be advice. ERIKS shall never be liable for damage resulting from the use of the information provided.