

VOSS Straight male stud standpipe fitting SWSDS



- Straight male stud standpipe fitting
- Tube socket pre-assembled
- Male thread: NPT thread, tapered
- L and S series
- Complete with nut and cutting ring
- Sealing type: Tapered thread
- Steel, zinc-nickel coated

Characteristics

Series: EGV-NPT

Material: Steel

Surface protection: Zinc-Nickel

Adjustable: Yes

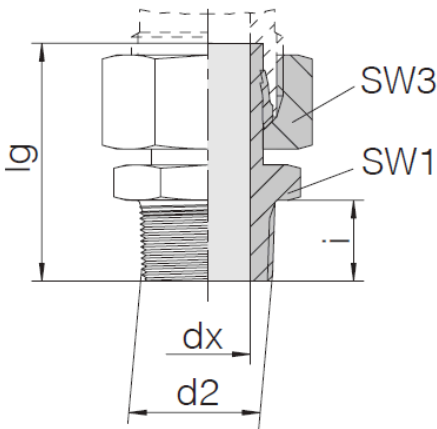
Connection 1: Standpipe connection

Connection 2: External thread

Port seal: Tapered thread

Size table:

d2	dx	i	lg	SW1	SW3
	mm	mm	mm	mm	mm
NPT 1/8	3.5	9.9	33	11	14
NPT 1/4	3.5	15.1	40	14	17
NPT 1/4	5	15.1	39.6	14	17
NPT 1/4	4.5	15.1	42	14	19
NPT 1/4	7	15.1	40.6	14	19
NPT 3/8	6	15.2	44	19	22
NPT 3/8	7	15.2	43	19	22
NPT 3/8	7	15.2	46	19	24
NPT 1/2	9	19.8	53	22	27
NPT 1/2	11	19.8	48.5	22	27
NPT 1/2	11	19.8	52.8	22	30
NPT 1/2	13	19.8	48	22	32
NPT 3/4	15	20.1	60	27	36
NPT 3/4	17	20.1	50	27	36
NPT 1	18	25	69	36	46
NPT 1.1/4	22.5	25.6	72.6	46	50
NPT 1.1/2	28.5	26	83	50	60
NPT 1.1/2	35	26	69	50	60



Designation	Manufacturer ID	Connection size 1	Connection size 2	Nominal pressure	Article
EVGE06L1/8NPT	24-SWSDS-L6-N1/8T	6L - M12x1.5	1/8" NPT	PN315	11450891
EVGE06S1/4NPT	24-SWSDS-S6-N1/4T	6S - M14x1.5	1/4" NPT	PN630	11450898

Disclaimer: The content of this document has been composed with the utmost care. However, it is possible that certain information changes over time, becomes inaccurate or incomplete. ERIKS does not guarantee that the information provided on this document is up to date, accurate and complete; the information provided is not intended to be advice. ERIKS shall never be liable for damage resulting from the use of the information provided.

Designation	Manufacturer ID	Connection size 1	Connection size 2	Nominal pressure	Article
EVGE08L1/4NPT	24-SWSDS-L8-N1/4T	8L - M14x1.5	1/4" NPT	PN315	11450892
EVGE08S1/4NPT	24-SWSDS-S8-N1/4T	8S - M16x1.5	1/4" NPT	PN630	11450899
EVGE10L1/4NPT	24-SWSDS-L10-N1/4T	10L - M16x1.5	1/4" NPT	PN315	11450893
EVGE10S3/8NPT	24-SWSDS-S10-N3/8T	10S - M18x1.5	3/8" NPT	PN630	11450900
EVGE12L3/8NPT	24-SWSDS-L12-N3/8T	12L - M18x1.5	3/8" NPT	PN315	11450894
EVGE12S3/8NPT	24-SWSDS-S12-N3/8T	12S - M20x1.5	3/8" NPT	PN630	11450901
EVGE14S1/2NPT	24-SWSDS-S14-N1/2T	14S - M22x1.5	1/2" NPT	PN630	11450902
EVGE15L1/2NPT	24-SWSDS-L15-N1/2T	15L - M22x1.5	1/2" NPT	PN315	11450895
EVGE16S1/2NPT	24-SWSDS-S16-N1/2T	16S - M24x1.5	1/2" NPT	PN400	11450903
EVGE18L1/2NPT	24-SWSDS-L18-N1/2T	18L - M26x1.5	1/2" NPT	PN315	11450896
EVGE20S3/4NPT	24-SWSDS-S20-N3/4T	20S - M30x2.0	3/4" NPT	PN400	11450904
EVGE22L3/4NPT	24-SWSDS-L22-N3/4T	22L - M30x2.0	3/4" NPT	PN160	11450897
EVGE25S1NPT	24-SWSDS-S25-N1T	25S - M36x2.0	1" NPT	PN400	1016835
EVGE30S1.1/4NPT	24-SWSDS-S30-N11/4T	30S - M42x2.0	1.1/4" NPT	PN400	11450905
EVGE38S1.1/2NPT	24-SWSDS-S38-N11/2T	38S - M52x2.0	1.1/2" NPT	PN315	11450906
EVGE42L1.1/2NPT	24-SWSDS-L42-N11/2T	42L - M52x2.0	1.1/2" NPT	PN160	11452285

Disclaimer: The content of this document has been composed with the utmost care. However, it is possible that certain information changes over time, becomes inaccurate or incomplete. ERIKS does not guarantee that the information provided on this document is up to date, accurate and complete; the information provided is not intended to be advice. ERIKS shall never be liable for damage resulting from the use of the information provided.