

## VOSS Straight male stud standpipe fitting metric with seal edge SWSDS B



- Straight male stud standpipe fitting
- Tube socket pre-assembled
- Male thread: metric thread, cylindrical
- L and S series
- Complete with nut and cutting ring
- Sealing type: Sealing edge (Form B)
- Steel, zinc-nickel coated

### Characteristics

**Series:** EGV-M

**Material:** Steel

**Surface protection:** Zinc-Nickel

**Adjustable:** Yes

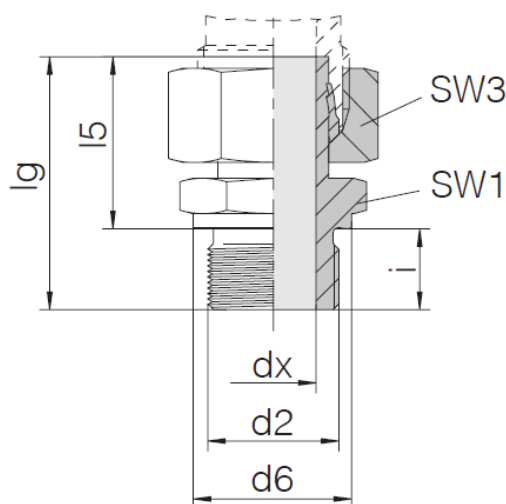
**Connection 1:** Standpipe connection

**Connection 2:** External thread

**Port seal:** Sealing Edge (Form B)

### Size table:

d2	d6	dx	i	l5	lg	SW1	SW3
	mm	mm	mm	mm	mm	mm	mm
M 10x1	14	3.5	8	24.5	32.5	14	14
M 12x1.5	17	3.5	12	27	39	17	17
M 12x1.5	17	5	12	26.5	38.5	17	17
M 14x1.5	19	4.5	12	29.5	41.5	19	19
M 14x1.5	19	7	12	27.5	39.5	19	19
M 16x1.5	21	6	12	32	44	22	22
M 16x1.5	21	9	12	30.5	42.5	22	22
M 18x1.5	23	8.8	12	30.5	42.5	24	22
M 18x1.5	23	7	12	34	46	24	24
M 20x1.5	25	9	14	36.5	50.5	27	27
M 18x1.5	23	11	12	31.5	43.5	24	27
M 22x1.5	27	11	14	37	51	27	30
M 22x1.5	27	14	14	31.5	45.5	27	32
M 27x2	32	15	16	43	59	32	36
M 26x1.5	31	17	16	32.5	48.5	32	36
M 33x2	39	22.5	18	35	53	41	41
M 42x2	49	23	20	51	71	50	50
M 42x2	49	28.5	20	42.5	62.5	50	50
M 48x2	55	29	22	60	82	55	60
M 48x2	55	35	22	46.5	68.5	55	60



Disclaimer: The content of this document has been composed with the utmost care. However, it is possible that certain information changes over time, becomes inaccurate or incomplete. ERIKS does not guarantee that the information provided on this document is up to date, accurate and complete; the information provided is not intended to be advice. ERIKS shall never be liable for damage resulting from the use of the information provided.

Designation	Manufacturer ID	Connection size 1	Connection size 2	Nominal pressure	Article
EVGE06LM10x1	24-SWSDS-L6-M10B	6L - M12x1.5	M 10x1	PN315	872075
EVGE06SM12x1.5	24-SWSDS-S6-M12B	6S - M14x1.5	M 12x1.5	PB 630	11450848
EVGE08LM12x1.5	24-SWSDS-L8-M12B	8L - M14x1.5	M 12x1.5	PN315	936545
EVGE08SM14x1.5	24-SWSDS-S8-M14B	8S - M16x1.5	M 14x1.5	PB 630	11450849
EVGE10LM14x1.5	24-SWSDS-L10-M14B	10L - M16x1.5	M 14x1.5	PN315	918318
EVGE10SM16x1.5	24-SWSDS-S10-M16B	10S - M18x1.5	M 16x1.5	PB 630	11450850
EVGE12LM16x1.5	24-SWSDS-L12-M16B	12L - M18x1.5	M 16x1.5	PN315	796093
EVGE12LM18x1.5	24-SWSDS-L12-M18B	12L - M18x1.5	M 18x1.5	PN315	11535024
EVGE12SM18x1.5	24-SWSDS-S12-M18B	12S - M20x1.5	M 18x1.5	PB 630	796395
EVGE14SM20x1.5	24-SWSDS-S14-M20B	14S - M22x1.5	M 20x1.5	PB 630	11450851
EVGE15LM18x1.5	24-SWSDS-L15-M18B	15L - M22x1.5	M 18x1.5	PN315	796107
EVGE16SM22x1.5	24-SWSDS-S16-M22B	16S - M24x1.5	M 22x1.5	PB 400	11450852
EVGE18LM22x1.5	24-SWSDS-L18-M22B	18L - M26x1.5	M 22x1.5	PN315	796115
EVGE20SM27x2	24-SWSDS-S20-M27B	20S - M30x2.0	M 27x2	PB 400	11450853
EVGE22LM26x1.5	24-SWSDS-L22-M26B	22L - M30x2.0	M 26x1.5	PN160	11450845
EVGE28LM33x2	24-SWSDS-L28-M33B	28L - M36x2.0	M 33x2	PN160	11450846
EVGE30SM42x2	24-SWSDS-S30-M42B	30S - M42x2.0	M 42x2	PB 250	11450854
EVGE35LM42x2	24-SWSDS-L35-M42B	35L - M45x2.0	M 42x2	PN160	11450847
EVGE38SM48x2	24-SWSDS-S38-M48B	38S - M52x2.0	M 48x2	PB 250	11450855
EVGE42LM48x2	24-SWSDS-L42-M48B	42L - M52x2.0	M 48x2	PN160	11452284

Disclaimer: The content of this document has been composed with the utmost care. However, it is possible that certain information changes over time, becomes inaccurate or incomplete. ERIKS does not guarantee that the information provided on this document is up to date, accurate and complete; the information provided is not intended to be advice. ERIKS shall never be liable for damage resulting from the use of the information provided.