

VOSS Banjo elbow metric BEE/BEEC B



- Banjo coupling
- Throttle-free version with eccentric flow channel
- L and S series
- Male thread: metric thread, cylindrical
- Sealing type: Seal-edge ring (Form B)
- Sealing material: NBR
- Complete (BEEC) or without nut and cutting ring (BEE)
- Steel, zinc-nickel coated

Characteristics

Series: EWHV-M

Material: Steel

Surface protection: Zinc-Nickel

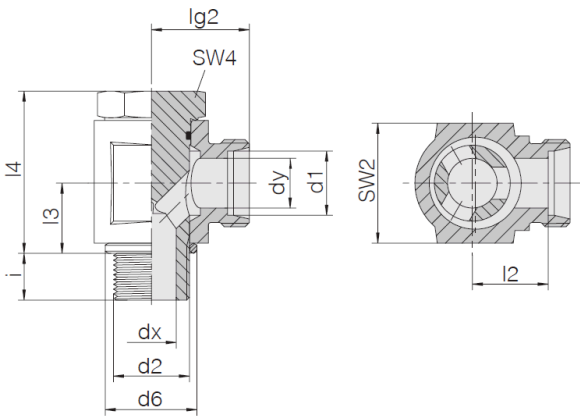
Connection 1: Cutting ring connection

Connection 2: External thread

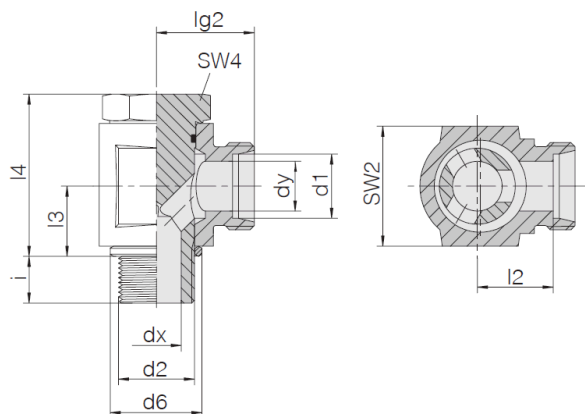
Port seal: Seal-edge ring (Form B)

Size table:

d1	d2	d6	dx	dy	i	l4	l2	l3	lg2
mm		mm	mm	mm	mm	mm	mm	mm	mm
6	M 10x1	14	4	4	8	25.3	12	10.5	19
6	M 12x1.5	17	4	4	12	30.5	16.5	14	23.5
8	M 12x1.5	17	6	6	12	31.5	14.5	14	21.5
8	M 14x1.5	19	5	5	12	31	16.5	14	23.5
10	M 14x1.5	19	8	8	12	33	15.5	14	22.5
10	M 16x1.5	21	7	7	12	37	18.5	16.5	26
12	M 16x1.5	21	10	10	12	38.5	18	16.5	25
12	M 18x1.5	23	12	10	12	42.5	20	18.5	27
12	M 18x1.5	23	8	8	12	40	20.5	18.5	28
14	M 20x1.5	25	10	10	14	43	23	20	31
15	M 18x1.5	23	12	12	12	42.5	21	18.5	28
15	M 22x1.5	27	15	12	14	47.5	22	21.5	29
16	M 22x1.5	27	12	12	14	47	22.5	21.5	31
18	M 22x1.5	27	15	15	14	47.5	21.5	21.5	29
22	M 26x1.5	31	19	19	16	55.5	26	24	33.5



Disclaimer: The content of this document has been composed with the utmost care. However, it is possible that certain information changes over time, becomes inaccurate or incomplete. ERIKS does not guarantee that the information provided on this document is up to date, accurate and complete; the information provided is not intended to be advice. ERIKS shall never be liable for damage resulting from the use of the information provided.



Size table:

d1	d2	d6	dx	dy	i	l4	l2	l3	lg2
25	M 33x2	39	20	20	18	66.5	31	30.5	43
28	M 33x2	39	24	24	18	68	31.5	30.5	39
30	M 42x2	49	25	25	20	75.5	36.5	35.5	50
35	M 42x2	49	30	30	20	78	35.5	35.5	46
38	M 48x2	55	32	32	22	86.5	41	40.5	57
42	M 48x2	55	36	36	22	88.5	40	40.5	51
20	M 27x2	32	16	16	16	55	27.5	24	38

Designation	Manufacturer ID	Connection size 1	Connection size 2	Nominal pressure	Article
WH06LM10x1	24-BEEC-L6-M10B	6L - M12x1.5	M 10x1	PB 500	956929
WH06SM12x1.5	24-BEEC-S6-M12B	6S - M14x1.5	M 12x1.5	PB 500	11450574
WH08LM12x1.5	24-BEEC-L8-M12B	8L - M14x1.5	M 12x1.5	PB 400	11450567
WH08SM14x1.5	24-BEEC-S8-M14B	8S - M16x1.5	M 14x1.5	PB 450	792195
WH10LM14x1.5	24-BEEC-L10-M14B	10L - M16x1.5	M 14x1.5	PB 350	792055
WH10SM16x1.5	24-BEEC-S10-M16B	10S - M18x1.5	M 16x1.5	PB 400	11283406
WH12LM16x1.5	24-BEEC-L12-M16B	12L - M18x1.5	M 16x1.5	PB 350	792063
WH12LM18x1.5	24-BEEC-L12-M18B	12L - M18x1.5	M 18x1.5	PB 315	11450569
WH12SM18x1.5	24-BEEC-S12-M18B	12S - M20x1.5	M 18x1.5	PB 400	792209
WH14SM20x1.5	24-BEEC-S14-M20B	14S - M22x1.5	M 20x1.5	PB 400	792217
WH15LM18x1.5	24-BEEC-L15-M18B	15L - M22x1.5	M 18x1.5	PB 315	792071
WH15LM22x1.5	24-BEEC-L15-M22B	15L - M22x1.5	M 22x1.5	PB 315	11452168
WH16SM22x1.5	24-BEEC-S16-M22B	16S - M24x1.5	M 22x1.5	PB 400	1010170
WH18LM22x1.5	24-BEEC-L18-M22B	18L - M26x1.5	M 22x1.5	PB 315	11450570
WH22LM26x1.5	24-BEEC-L22-M26B	22L - M30x2.0	M 26x1.5	PB 200	11450571
WH25SM33x2	24-BEEC-S25-M33B	25S - M36x2.0	M 33x2	PB 250	1011376
WH28LM33x2	24-BEEC-L28-M33B	28L - M36x2.0	M 33x2	PB 200	11450572
WH30SM42x2	24-BEEC-S30-M42B	30S - M42x2.0	M 42x2	PB 250	11450575
WH35LM42x2	24-BEEC-L35-M42B	35L - M45x2.0	M 42x2	PB 200	11369426
WH38SM48x2	24-BEEC-S38-M48B	38S - M52x2.0	M 48x2	PB 250	11450576
WH42LM48x2	24-BEEC-L42-M48B	42L - M52x2.0	M 48x2	PB 200	11450573
WH06LM10x1 -m+d	24-BEE-L6-M10B	6L - M12x1.5	M 10x1	PB 500	11450577
WH06SM12x1.5 -m+d	24-BEE-S6-M12B	6S - M14x1.5	M 12x1.5	PB 500	11450587
WH08LM12x1.5 -m+d	24-BEE-L8-M12B	8L - M14x1.5	M 12x1.5	PB 400	11450578
WH08SM14x1.5 -m+d	24-BEE-S8-M14B	8S - M16x1.5	M 14x1.5	PB 450	11450588
WH10LM14x1.5 -m+d	24-BEE-L10-M14B	10L - M16x1.5	M 14x1.5	PB 350	11450579
WH10SM16x1.5 -m+d	24-BEE-S10-M16B	10S - M18x1.5	M 16x1.5	PB 400	11450589
WH12LM16x1.5 -m+d	24-BEE-L12-M16B	12L - M18x1.5	M 16x1.5	PB 350	11313979
WH12LM18x1.5 -m+d	24-BEE-L12-M18B	12L - M18x1.5	M 18x1.5	PB 315	11450580
WH12SM18x1.5 -m+d	24-BEE-S12-M18B	12S - M20x1.5	M 18x1.5	PB 400	11450590
WH14SM20x1.5 -m+d	24-BEE-S14-M20B	14S - M22x1.5	M 20x1.5	PB 400	11450591
WH15LM18x1.5 -m+d	24-BEE-L15-M18B	15L - M22x1.5	M 18x1.5	PB 315	11450581
WH15LM22x1.5 -m+d	24-BEE-L15-M22B	15L - M22x1.5	M 22x1.5	PB 315	11452169
WH16SM22x1.5 -m+d	24-BEE-S16-M22B	16S - M24x1.5	M 22x1.5	PB 400	11450592
WH18LM22x1.5 -m+d	24-BEE-L18-M22B	18L - M26x1.5	M 22x1.5	PB 315	11450582
WH20SM27x2 -m+d	24-BEE-S20-M27B	20S - M30x2.0	M 27x2	PB 400	11450593

Disclaimer: The content of this document has been composed with the utmost care. However, it is possible that certain information changes over time, becomes inaccurate or incomplete. ERIKS does not guarantee that the information provided on this document is up to date, accurate and complete; the information provided is not intended to be advice. ERIKS shall never be liable for damage resulting from the use of the information provided.

Designation	Manufacturer ID	Connection size 1	Connection size 2	Nominal pressure	Article
WH22LM26x1.5 -m+d	24-BEE-L22-M26B	22L - M30x2.0	M 26x1.5	PB 200	11450583
WH25SM33x2 -m+d	24-BEE-S25-M33B	25S - M36x2.0	M 33x2	PB 250	11450594
WH28LM33x2 -m+d	24-BEE-L28-M33B	28L - M36x2.0	M 33x2	PB 200	11450584
WH30SM42x2 -m+d	24-BEE-S30-M42B	30S - M42x2.0	M 42x2	PB 250	11450595
WH35LM42x2 -m+d	24-BEE-L35-M42B	35L - M45x2.0	M 42x2	PB 200	11450585
WH38SM48x2 -m+d	24-BEE-S38-M48B	38S - M52x2.0	M 48x2	PB 250	11450596
WH42LM48x2 -m+d	24-BEE-L42-M48B	42L - M52x2.0	M 48x2	PB 200	11450586

Disclaimer: The content of this document has been composed with the utmost care. However, it is possible that certain information changes over time, becomes inaccurate or incomplete. ERIKS does not guarantee that the information provided on this document is up to date, accurate and complete; the information provided is not intended to be advice. ERIKS shall never be liable for damage resulting from the use of the information provided.