



VOSS Male stud barrel tee metric SDE/SDEC

- Male stud barrel tee
- Male thread: Metric thread, tapered
- Sealing type: Tapered thread
- L and S series
- Complete (SDLC) or without nut and cutting ring (SDL)
- Steel, zinc-nickel coated

Characteristics

Series: LEV-M-keg.

Material: Steel

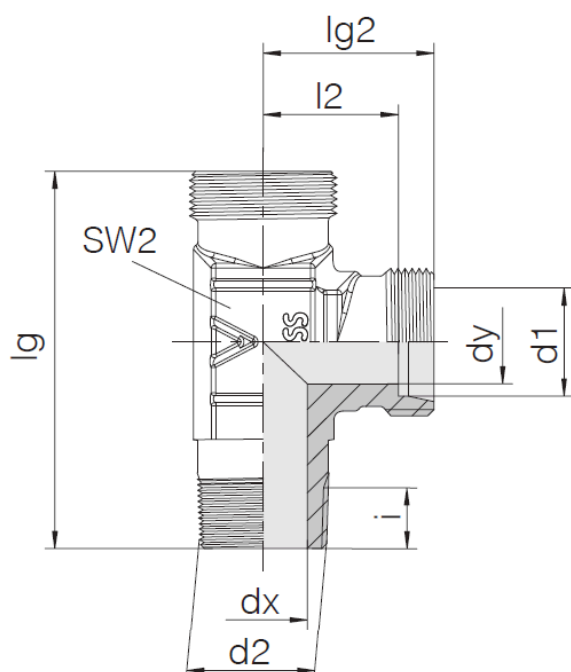
Surface protection: Zinc-Nickel

Adjustable: No

Connection 1: Cutting ring connection

Connection 2: External thread

Port seal: Tapered thread



Size table:

d1	d2	dx	dy	i	l2	lg	lg2	SW2
mm		mm	mm	mm	mm	mm	mm	mm
6	M 10x1	4	4	6	12	39	19	12
8	M 12x1.5	6	6	9	14	47	21	14
12	M 18x1.5	8	8	9	21.5	57	29	22
10	M 14x1.5	7	8	12	15	49	22	17
12	M 16x1.5	9	10	9	17	52	24	19
15	M 18x1.5	11	12	9	21	60	28	19

Designation	Manufacturer ID	Connection size 1	Connection size 2	Nominal pressure	Article
LE06LM10x1 con	24-SDLC-L6-M10T-P	6L - M12x1.5	M 10x1 con.	PN315	11450266
LE08LM12x1.5 con	24-SDLC-L8-M12T-P	8L - M14x1.5	M 12x1.5 con.	PN315	11450267
LE12SM18x1.5 con	24-SDLC-S12-M18T-P	12S - M20x1.5	M 18x1.5 con.	PB 630	11450271
LE06LM10x1 con -m+d	24-SDL-L6-M10T-P	6L - M12x1.5	M 10x1 con.	PN315	11450275
LE08LM12x1.5 con -m+d	24-SDL-L8-M12T-P	8L - M14x1.5	M 12x1.5 con.	PN315	11450276
LE10LM14x1.5 con -m+d	24-SDL-L10-M14T-P	10L - M16x1.5	M 14x1.5 con.	PN315	11450277
LE12LM16x1.5 con -m+d	24-SDL-L12-M16T-P	12L - M18x1.5	M 16x1.5 con.	PN315	11450278
LE12SM18x1.5 con -m+d	24-SDL-S12-M18T-P	12S - M20x1.5	M 18x1.5 con.	PB 630	11450283
LE15LM18x1.5 con -m+d	24-SDL-L15-M18T	15L - M22x1.5	M 18x1.5 con.	PN315	11450279

Disclaimer: The content of this document has been composed with the utmost care. However, it is possible that certain information changes over time, becomes inaccurate or incomplete. ERIKS does not guarantee that the information provided on this document is up to date, accurate and complete; the information provided is not intended to be advice. ERIKS shall never be liable for damage resulting from the use of the information provided.