

VOSS Male stud connector metric profile sealing ring SDS/SDSC E



- Male stud connector
- Male thread: metric thread, cylindrical
- Sealing type: Profile sealing ring PEFLEX (Form E)
- Sealing material: NBR
- L and S series
- Complete (SDSC) or without nut and cutting ring (SDS)
- Steel, zinc-nickel coated

Characteristics

Series: GEV-M WD

Material: Steel

Surface protection: Zinc-Nickel

Adjustable: No

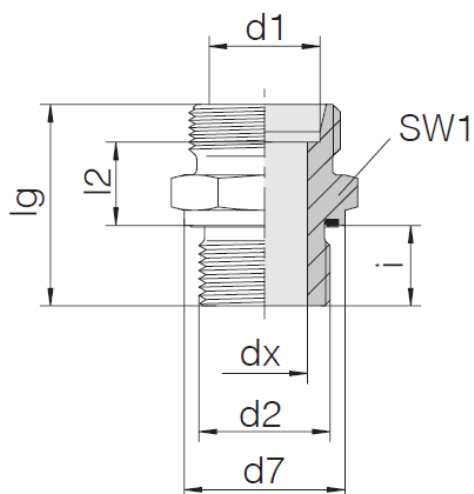
Connection 1: Cutting ring connection

Connection 2: External thread

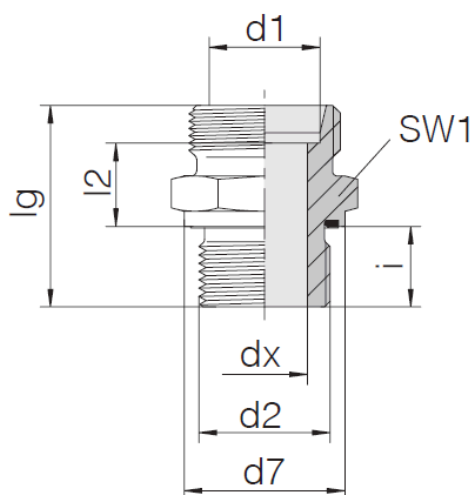
Port seal: Profile sealing ring PEFLEX (Form E)

Size table:

d1	d2	d7	dx	i	l2	lg	SW1
mm		mm	mm	mm	mm	mm	mm
6	M 10x1	13.9	4	8	8.5	23.5	14
6	M 12x1.5	16.9	4	12	13	32	17
8	M 12x1.5	16.9	6	12	10	29	17
8	M 14x1.5	18.9	5	12	15	34	19
10	M 12x1.5	16.9	6	12	11	30	17
10	M 14x1.5	18.9	7	12	11	30	19
10	M 16x1.5	21.9	7	12	12.5	31.5	22
10	M 18x1.5	23.9	8	12	12.5	31.5	24
10	M 16x1.5	21.9	7	12	15	34.5	22
12	M 14x1.5	18.9	7	12	11	30	19
12	M 16x1.5	21.9	9	12	12.5	31.5	22
12	M 18x1.5	23.9	9	12	12.5	31.5	24
12	M 22x1.5	26.9	9	14	14	35	27
12	M 18x1.5	23.9	8	12	17	36.5	24
12	M 22x1.5	26.9	8	14	17.5	39	27
14	M 20x1.5	25.9	10	14	19	41	27
15	M 16x1.5	21.9	9	12	13	32	24
15	M 18x1.5	23.9	11	12	13.5	32.5	24
15	M 22x1.5	26.9	12	14	15	36	27
16	M 22x1.5	26.9	12	14	18.5	41	27
18	M 18x1.5	23.9	11	12	14	33.5	27



Disclaimer: The content of this document has been composed with the utmost care. However, it is possible that certain information changes over time, becomes inaccurate or incomplete. ERIKS does not guarantee that the information provided on this document is up to date, accurate and complete; the information provided is not intended to be advice. ERIKS shall never be liable for damage resulting from the use of the information provided.



Size table:

d1	d2	d7	dx	i	l2	lg	SW1
18	M 22x1.5	26.9	14	14	14.5	36	27
20	M 27x2	31.9	16	16	20.5	47	32
22	M 22x1.5	26.9	14	14	16.5	38	32
22	M 26x1.5	31.9	18	16	16.5	40	32
25	M 33x2	39.9	20	18	23	53	41
28	M 33x2	39.9	23	18	17.5	43	41
30	M 42x2	49.9	25	20	23.5	57	50
35	M 42x2	49.9	30	20	17.5	48	50
38	M 48x2	54.9	32	22	26	64	55
42	M 48x2	54.9	36	22	19	52	55
12	M 12x1.5	16.9	6	12	12.5	31.5	19
22	M 27x2	31.9	18	16	16.5	40	32
28	M 22x1.5	26.9	14	14	17.5	39	41

Designation	Manufacturer ID	Connection size 1	Connection size 2	Nominal pressure	Article
GE06LM10x1EDB	24-SDSC-L6-M10E	6L - M12x1.5	M 10x1	PN500	816450
GE06SM12x1.5EDB	24-SDSC-S6-M12E	6S - M14x1.5	M 12x1.5	PN800	11450101
GE08LM12x1.5EDB	24-SDSC-L8-M12E	8L - M14x1.5	M 12x1.5	PN500	1065487
GE08SM14x1.5EDB	24-SDSC-S8-M14E	8S - M16x1.5	M 14x1.5	PN800	11450102
GE10LM12x1.5EDB	24-SDSC-L10-M12E	10L - M16x1.5	M 12x1.5	PN500	11450092
GE10LM14x1.5EDB	24-SDSC-L10-M14E	10L - M16x1.5	M 14x1.5	PN500	11450083
GE10LM16x1.5EDB	24-SDSC-L10-M16E	10L - M16x1.5	M 16x1.5	PN400	11450091
GE10LM18x1.5EDB	24-SDSC-L10-M18E	10L - M16x1.5	M 18x1.5	PN400	11450082
GE10SM16x1.5EDB	24-SDSC-S10-M16E	10S - M18x1.5	M 16x1.5	PN800	768448
GE12LM14x1.5EDB	24-SDSC-L12-M14E	12L - M18x1.5	M 14x1.5	PN400	11450086
GE12LM16x1.5EDB	24-SDSC-L12-M16E	12L - M18x1.5	M 16x1.5	PN400	816930
GE12LM18x1.5EDB	24-SDSC-L12-M18E	12L - M18x1.5	M 18x1.5	PN400	11450088
GE12LM22x1.5EDB	24-SDSC-L12-M22E	12L - M18x1.5	M 22x1.5	PN400	11450089
GE12SM18x1.5EDB	24-SDSC-S12-M18E	12S - M20x1.5	M 18x1.5	PN630	819840
GE12SM22x1.5EDB	24-SDSC-S12-M22E	12S - M20x1.5	M 22x1.5	PN630	11450106
GE14SM20x1.5EDB	24-SDSC-S14-M20E	14S - M22x1.5	M 20x1.5	PN630	11450103
GE15LM16x1.5EDB	24-SDSC-L15-M16E	15L - M22x1.5	M 16x1.5	PN400	11450090
GE15LM18x1.5EDB	24-SDSC-L15-M18E	15L - M22x1.5	M 18x1.5	PN400	817090
GE15LM22x1.5EDB	24-SDSC-L15-M22E	15L - M22x1.5	M 22x1.5	PN400	1011375
GE16SM22x1.5EDB	24-SDSC-S16-M22E	16S - M24x1.5	M 22x1.5	PN630	820008
GE18LM18x1.5EDB	24-SDSC-L18-M18E	18L - M26x1.5	M 18x1.5	PN400	1028826
GE18LM22x1.5EDB	24-SDSC-L18-M22E	18L - M26x1.5	M 22x1.5	PN400	817120
GE20SM27x2EDB	24-SDSC-S20-M27E	20S - M30x2.0	M 27x2	PN420	803510
GE22LM22x1.5EDB	24-SDSC-L22-M22E	22L - M30x2.0	M 22x1.5	PN250	11450087
GE22LM26x1.5EDB	24-SDSC-L22-M26E	22L - M30x2.0	M 26x1.5	PN250	817260
GE25SM33x2EDB	24-SDSC-S25-M33E	25S - M36x2.0	M 33x2	PN420	820040
GE28LM33x2EDB	24-SDSC-L28-M33E	28L - M36x2.0	M 33x2	PN250	817430
GE30SM42x2EDB	24-SDSC-S30-M42E	30S - M42x2.0	M 42x2	PN420	11450104
GE35LM42x2EDB	24-SDSC-L35-M42E	35L - M45x2.0	M 42x2	PN250	11450084
GE38SM48x2EDB	24-SDSC-S38-M48E	38S - M52x2.0	M 48x2	PN420	11450105
GE42LM48x2EDB	24-SDSC-L42-M48E	42L - M52x2.0	M 48x2	PN250	11450085
GE06LM10x1EDB -m+d	24-SDS-L6-M10E	6L - M12x1.5	M 10x1	PN500	11450094

Disclaimer: The content of this document has been composed with the utmost care. However, it is possible that certain information changes over time, becomes inaccurate or incomplete. ERIKS does not guarantee that the information provided on this document is up to date, accurate and complete; the information provided is not intended to be advice. ERIKS shall never be liable for damage resulting from the use of the information provided.

Designation	Manufacturer ID	Connection size 1	Connection size 2	Nominal pressure	Article
GE06SM12x1.5EDB -m+d	24-SDS-S6-M12E	6S - M14x1.5	M 12x1.5	PN800	11450107
GE08LM12x1.5EDB -m+d	24-SDS-L8-M12E	8L - M14x1.5	M 12x1.5	PN500	836397
GE08SM14x1.5EDB -m+d	24-SDS-S8-M14E	8S - M16x1.5	M 14x1.5	PN800	782106
GE10LM12x1.5EDB -m+d	24-SDS-L10-M12E	10L - M16x1.5	M 12x1.5	PN500	11328747
GE10LM14x1.5EDB -m+d	24-SDS-L10-M14E	10L - M16x1.5	M 14x1.5	PN500	816620
GE10LM16x1.5EDB -m+d	24-SDS-L10-M16E	10L - M16x1.5	M 16x1.5	PN400	11450100
GE10LM18x1.5EDB -m+d	24-SDS-L10-M18E	10L - M16x1.5	M 18x1.5	PN400	11450093
GE10SM16x1.5EDB -m+d	24-SDS-S10-M16E	10S - M18x1.5	M 16x1.5	PN800	837016
GE12LM12x1.5EDB -m+d	24-SDS-L12-M12E	12L - M18x1.5	M 12x1.5	PN400	11290229
GE12LM14x1.5EDB -m+d	24-SDS-L12-M14E	12L - M18x1.5	M 14x1.5	PN400	11450095
GE12LM16x1.5EDB -m+d	24-SDS-L12-M16E	12L - M18x1.5	M 16x1.5	PN400	836907
GE12LM18x1.5EDB -m+d	24-SDS-L12-M18E	12L - M18x1.5	M 18x1.5	PN400	754056
GE12LM22x1.5EDB -m+d	24-SDS-L12-M22E	12L - M18x1.5	M 22x1.5	PN400	11450098
GE12SM18x1.5EDB -m+d	24-SDS-S12-M18E	12S - M20x1.5	M 18x1.5	PN630	848913
GE12SM22x1.5EDB -m+d	24-SDS-S12-M22E	12S - M20x1.5	M 22x1.5	PN630	11450110
GE14SM20x1.5EDB -m+d	24-SDS-S14-M20E	14S - M22x1.5	M 20x1.5	PN630	11450108
GE15LM16x1.5EDB -m+d	24-SDS-L15-M16E	15L - M22x1.5	M 16x1.5	PN400	1060826
GE15LM18x1.5EDB -m+d	24-SDS-L15-M18E	15L - M22x1.5	M 18x1.5	PN400	836931
GE15LM22x1.5EDB -m+d	24-SDS-L15-M22E	15L - M22x1.5	M 22x1.5	PN400	11450099
GE16SM22x1.5EDB -m+d	24-SDS-S16-M22E	16S - M24x1.5	M 22x1.5	PN630	837024
GE18LM18x1.5EDB -m+d	24-SDS-L18-M18E	18L - M26x1.5	M 18x1.5	PN400	11450096
GE18LM22x1.5EDB -m+d	24-SDS-L18-M22E	18L - M26x1.5	M 22x1.5	PN400	836729
GE20SM27x2EDB -m+d	24-SDS-S20-M27E	20S - M30x2.0	M 27x2	PN420	11450109
GE22LM22x1.5EDB -m+d	24-SDS-L22-M22E	22L - M30x2.0	M 22x1.5	PN250	11450097
GE22LM26x1.5EDB -m+d	24-SDS-L22-M26E	22L - M30x2.0	M 26x1.5	PN250	836966
GE22LM27x2EDB -m+d	24-SDS-L22-M27E	22L - M30x2.0	M 27x2	PN250	13586005
GE25SM33x2EDB -m+d	24-SDS-S25-M33E	25S - M36x2.0	M 33x2	PN420	837148
GE28LM22x1.5EDB -m+d	24-SDS-L28-M22E	28L - M36x2.0	M 22x1.5	PN250	11553300
GE28LM33x2EDB -m+d	24-SDS-L28-M33E	28L - M36x2.0	M 33x2	PN250	837008
GE30SM42x2EDB -m+d	24-SDS-S30-M42E	30S - M42x2.0	M 42x2	PN420	837113
GE35LM42x2EDB -m+d	24-SDS-L35-M42E	35L - M45x2.0	M 42x2	PN250	836761
GE38SM48x2EDB -m+d	24-SDS-S38-M48E	38S - M52x2.0	M 48x2	PN420	917745
GE42LM48x2EDB -m+d	24-SDS-L42-M48E	42L - M52x2.0	M 48x2	PN250	836818

Disclaimer: The content of this document has been composed with the utmost care. However, it is possible that certain information changes over time, becomes inaccurate or incomplete. ERIKS does not guarantee that the information provided on this document is up to date, accurate and complete; the information provided is not intended to be advice. ERIKS shall never be liable for damage resulting from the use of the information provided.