

# HAVIT SAE 90° threaded flange metric 24° DIN 3901 AFG

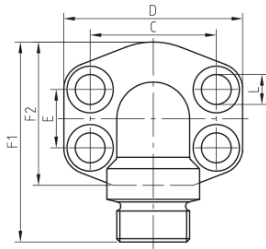
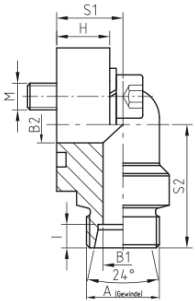


### Characteristics

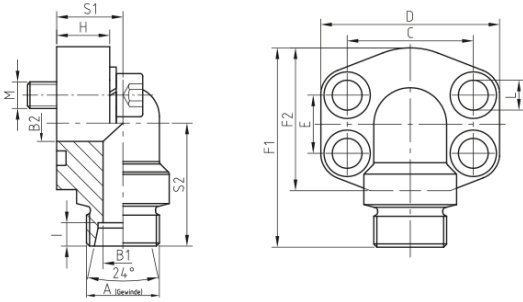
- Series:** AFG
- Flange type:** SAE 90° flange
- Material:** Steel
- Thread form:** Metric 24° cone

### Size table:

Pressure class	SAE flange size	A	B1	B2	C	D	E	F1	F2
3000	1/2	M 22x1.5	12	13	38.1	54	17.5	60	43
3000	1/2	M 24x1.5	12	13	38.1	54	17.5	60	43
3000	3/4	M 24x1.5	12	19	47.6	65	22.3	63	47
3000	3/4	M 30x2	16	19	47.6	65	22.3	63	47
3000	3/4	M 30x2	19	19	47.6	65	22.3	63	47
3000	1	M 36x2	20	25	52.4	70	26.2	70	51
3000	1	M 36x2	24	25	52.4	70	26.2	70	51
3000	1.1/4	M 36x2	20	32	58.7	79	30.2	85	64
3000	1.1/4	M 36x2	24	32	58.7	79	30.2	85	64
3000	1.1/4	M 42x2	25	32	58.7	79	30.2	85	64
3000	1.1/4	M 45x2	27	32	58.7	79	30.2	85	64
3000	1.1/2	M 52x2	32	38	69.9	93	35.7	98	73
3000	1.1/2	M 52x2	36	38	69.9	93	35.7	96	74
6000	1/2	M 24x1.5	12	13	40.5	54	18.2	60	43
6000	3/4	M 24x1.5	12	19	50.8	70	23.8	70	51
6000	3/4	M 30x2	16	19	50.8	70	23.8	70	51
6000	3/4	M 36x2	20	19	50.8	70	23.8	70	51
6000	1	M 36x2	20	25	57.2	79	27.8	85	64
6000	1.1/4	M 42x2	25	29	66.6	94	31.8	96	74



Disclaimer: The content of this document has been composed with the utmost care. However, it is possible that certain information changes over time, becomes inaccurate or incomplete. ERIKS does not guarantee that the information provided on this document is up to date, accurate and complete; the information provided is not intended to be advice. ERIKS shall never be liable for damage resulting from the use of the information provided.



Size table:

Pressure class	SAE flange size	A	B1	B2	C	D	E	F1	F2
6000	1.1/4	M 52x2	29	29	66.6	94	31.8	100	74
6000	1.1/2	M 52x2	29	38	79.3	110	36.5	100	85

Pressure class psi	SAE flange size in	Surface protection	Thread size	Max. operation pressure bar	Article
3000	1/2	Untreated	15L - M22x1.5	350	14306115
3000	1/2	Untreated	15L - M22x1.5	350	14306116
3000	1/2	Untreated	16S - M24x1.5	350	14306118
3000	1/2	Untreated	16S - M24x1.5	350	14306117
3000	3/4	Untreated	16S - M24x1.5	350	14478676
3000	3/4	Untreated	16S - M24x1.5	350	14306137
3000	3/4	Untreated	20S - M30x2.0	350	14478677
3000	3/4	Untreated	20S - M30x2.0	350	14306140
3000	3/4	Untreated	22L - M30x2.0	350	14478675
3000	3/4	Untreated	22L - M30x2.0	350	14306134
3000	1	Untreated	25S - M36x2.0	320	14306159
3000	1	Untreated	25S - M36x2.0	320	14478679
3000	1	Untreated	28L - M36x2.0	320	14478678
3000	1	Untreated	28L - M36x2.0	320	14306158
3000	1.1/4	Untreated	25S - M36x2.0	280	14477450
3000	1.1/4	Untreated	28L - M36x2.0	280	14306205
3000	1.1/4	Untreated	28L - M36x2.0	280	14478680
3000	1.1/4	Untreated	30S - M42x2.0	280	14477451
3000	1.1/4	Untreated	35L - M45x2.0	280	14478681
3000	1.1/4	Untreated	35L - M45x2.0	280	14306209
3000	1.1/2	Untreated	38S - M52x2.0	200	14477453
3000	1.1/2	Untreated	42L - M52x2.0	200	14477452
6000	1/2	Untreated	16S - M24x1.5	420	14306315
6000	1/2	Untreated	16S - M24x1.5	420	14306313
6000	3/4	Untreated	16S - M24x1.5	420	14478682
6000	3/4	Untreated	16S - M24x1.5	420	14317621
6000	3/4	Untreated	20S - M30x2.0	420	14478683
6000	3/4	Untreated	20S - M30x2.0	420	14306334
6000	3/4	Untreated	25S - M36x2.0	420	14306344
6000	3/4	Untreated	25S - M36x2.0	420	14478684
6000	1	Untreated	25S - M36x2.0	420	14306374
6000	1	Untreated	25S - M36x2.0	420	14478685
6000	1.1/4	Untreated	30S - M42x2.0	420	14306405
6000	1.1/4	Untreated	30S - M42x2.0	420	14478686
6000	1.1/4	Untreated	38S - M52x2.0	420	14478687
6000	1.1/4	Untreated	38S - M52x2.0	420	14317622
6000	1.1/2	Untreated	38S - M52x2.0	420	14317623
6000	1.1/2	Untreated	38S - M52x2.0	420	14306451

Disclaimer: The content of this document has been composed with the utmost care. However, it is possible that certain information changes over time, becomes inaccurate or incomplete. ERIKS does not guarantee that the information provided on this document is up to date, accurate and complete; the information provided is not intended to be advice. ERIKS shall never be liable for damage resulting from the use of the information provided.