



## HAVIT SAE flange clamp VF

### Characteristics

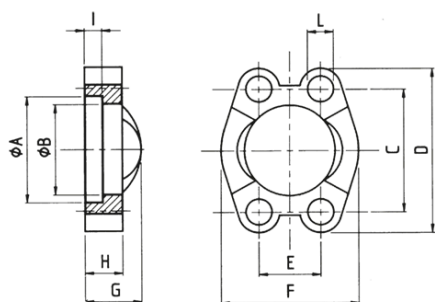
**Series:** VF

**Flange type:** Full flange

**Material:** Steel

### Size table:

Pressure class	SAE flange size	A	B	C	D	E	F	G	H
psi	in	mm	mm	mm	mm	mm	mm	mm	mm
3000	1/2	31	24.3	38.1	54	17.5	46	19	13
3000	3/4	38.9	32.2	47.6	65	22.3	52	22	14
3000	1	45.3	38.5	52.4	70	26.2	59	24	16
3000	1.1/4	51.6	43.7	58.7	79	30.2	73	22	14
3000	1.1/2	61.1	50.8	69.9	94	35.7	83	25	16
3000	2	72.3	62.8	77.8	102	42.9	97	26	16
3000	2.1/2	84.9	74.9	88.9	114	50.8	109	38	19
3000	3	102.4	90.9	106.4	135	61.9	131	41	22
3000	3.1/2	115.1	102.4	120.7	152	69.9	140	28	22
3000	4	127.8	115	130.2	162	77.8	152	35	25
3000	5	153.2	140.5	152.4	184	92.1	181	41	28
6000	1/2	32.5	24.6	40.5	56	18.2	48	22	16
6000	3/4	42	32.5	50.8	71	23.8	60	28	19
6000	1	48.4	38.8	57.2	81	27.8	70	33	24
6000	1.1/4	54.8	44.5	66.6	95	31.8	78	38	27
6000	1.1/2	64.3	51.6	79.3	113	36.5	95	43	30
6000	2	80.2	67.6	96.8	133	44.5	114	52	37
6000	2.1/2	108.9	90.5	123.8	180	58.8	152	45	45
6000	3	132.5	115.5	152.4	215	71.6	198	55	55



Pressure class	SAE flange size	Surface protection	Max. operation pressure	Article
psi	in		bar	
3000	1/2	Zinc-Nickel	350	14312014
3000	1/2	Untreated	350	14312013
3000	3/4	Zinc-Nickel	350	14312019
3000	3/4	Untreated	350	14312016
3000	1	Zinc-Nickel	320	14317673
3000	1	Untreated	320	14473797
3000	1.1/4	Zinc-Nickel	280	14312023
3000	1.1/4	Untreated	280	14312021
3000	1.1/2	Zinc-Nickel	210	14312027

Disclaimer: The content of this document has been composed with the utmost care. However, it is possible that certain information changes over time, becomes inaccurate or incomplete. ERIKS does not guarantee that the information provided on this document is up to date, accurate and complete; the information provided is not intended to be advice. ERIKS shall never be liable for damage resulting from the use of the information provided.

Pressure class psi	SAE flange size in	Surface protection	Max. operation pressure bar	Article
3000	1.1/2	Untreated	210	14312025
3000	2	Zinc-Nickel	210	14312030
3000	2	Untreated	210	14312029
3000	2.1/2	Zinc-Nickel	175	14312036
3000	2.1/2	Untreated	175	14312034
3000	3	Zinc-Nickel	160	14312040
3000	3	Untreated	160	14312038
3000	3.1/2	Zinc-Nickel	35	14312045
3000	3.1/2	Untreated	35	14312042
3000	4	Zinc-Nickel	35	14312049
3000	4	Untreated	35	14312047
3000	5	Zinc-Nickel	35	14312053
3000	5	Untreated	35	14312051
6000	1/2	Zinc-Nickel	420	14312064
6000	1/2	Untreated	420	14312063
6000	3/4	Zinc-Nickel	420	14312068
6000	3/4	Untreated	420	14312066
6000	1	Zinc-Nickel	420	14312073
6000	1	Untreated	420	14312070
6000	1.1/4	Zinc-Nickel	420	14312077
6000	1.1/4	Untreated	420	14312075
6000	1.1/2	Zinc-Nickel	420	14312081
6000	1.1/2	Untreated	420	14312079
6000	2	Zinc-Nickel	420	14312084
6000	2	Untreated	420	14312082
6000	2.1/2	Zinc-Nickel	420	14473798
6000	2.1/2	Untreated	420	14312086
6000	3	Zinc-Nickel	420	14312090
6000	3	Untreated	420	14312088

Disclaimer: The content of this document has been composed with the utmost care. However, it is possible that certain information changes over time, becomes inaccurate or incomplete. ERIKS does not guarantee that the information provided on this document is up to date, accurate and complete; the information provided is not intended to be advice. ERIKS shall never be liable for damage resulting from the use of the information provided.