



SAB Duplex filter Type: 11099 Ductile cast iron/Cast iron EN-JS1050/EN-JL1030 Switching plug material: Bronze Flange

Characteristics

- Type:** 11099
- Norm:** EN (DIN)
- Housing material:** Ductile cast iron
- Surface protection:** Epoxy coating (external)
- Connection:** Flange
- Pressure rating flange:** PN10
- With filter element:** No
- Incl. differential pressure gauge:** No
- Venting screw:** Yes
- Drain connection:** Yes
- Material cover gasket:** NBR
- Fluid drain plug:** Brass
- Switching plug material:** Bronze
- Material vent screw:** Brass
- Maximum medium temperature (continuous):** 70 °C
- Maximum pressure difference:** 1 bar

Application

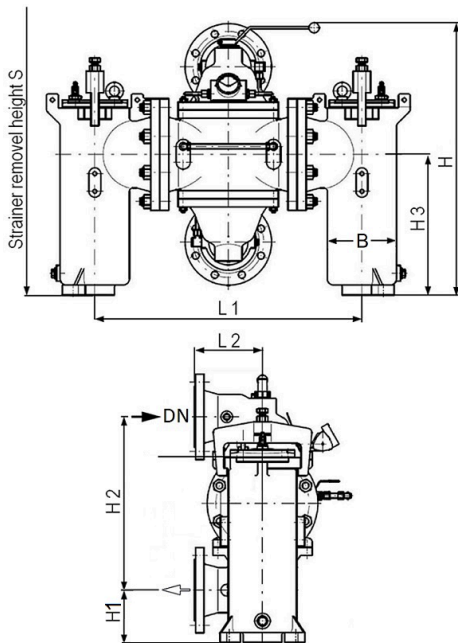
- Water (low in oxygen), oil and other process fluids
- Horizontal piping
- Suitable for pressure pipes

Technical Information

- Supplied without screens as standard
- Equipped with vent plug and drain plug
- With clip lock
- Max. differential pressure 1bar

Options

- Available with differential pressure display
- Available with perforations of 60 microns or higher



Size table:

DN	H	H1	H2	H3	L1	L2	B	S	Weight
	mm	mm	mm	mm	mm	mm	mm	mm	kg
DN65	605	158	339	407	420	147	125	830	78
DN80	730	136	445	479	680	175	176	940	173
DN100	730	136	445	479	680	175	176	940	129
DN125	965	196	643	518	926	230	260	1340	377
DN150	965	196	643	518	926	230	260	1340	412

Material quality	Nominal inner diameter	Pressure rating	Article
EN-JL1030	DN65	PN10	14441069
EN-JS1050	DN80	PN10	14441138
EN-JS1050	DN100	PN10	14441139
EN-JS1050	DN125	PN6	14441140
EN-JS1050	DN150	PN6	14441141

Disclaimer: The content of this document has been composed with the utmost care. However, it is possible that certain information changes over time, becomes inaccurate or incomplete. ERIKS does not guarantee that the information provided on this document is up to date, accurate and complete; the information provided is not intended to be advice. ERIKS shall never be liable for damage resulting from the use of the information provided.