

SAB Duplex filter Type: 11098 Cast iron EN-JL1030 Switching plug material: Ductile cast iron (nickel plated) Flange

Characteristics

Type: 11098
Norm: EN (DIN)
Housing material: Cast iron
Surface protection: Epoxy coating (external)
Connection: Flange
With filter element: No
Incl. differential pressure gauge: No
Venting screw: Yes
Drain connection: Yes
Material cover gasket: NBR
Fluid drain plug: Brass
Switching plug material: Ductile cast iron (nickel plated)
Material vent screw: Brass
Maximum medium temperature (continuous): 70 °C
Maximum pressure difference: 1 bar

Application

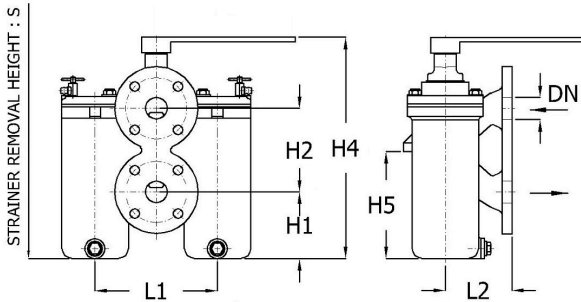
- Water (low in oxygen), oil and other process fluids
- Horizontal piping
- Suitable for pressure pipes

Technical Information

- Supplied without screens as standard
- Equipped with vent plug and drain plug
- With clip lock
- Max. differential pressure 1bar

Options

- Available with differential pressure display
- Available with perforations of 60 microns or higher



Size table:

| DN | H1 mm | H2 mm | H4 mm | H5 mm | L1 mm | L2 mm | S mm | Weight kg |
|------|----------|----------|----------|----------|----------|----------|---------|--------------|
| DN15 | 50 | 105 | 260 | 105 | 148 | 90 | 320 | 16 |
| DN20 | 50 | 105 | 260 | 105 | 148 | 90 | 320 | 16 |
| DN25 | 85 | 115 | 295 | 135 | 160 | 90 | 350 | 19 |
| DN32 | 105 | 140 | 370 | 165 | 190 | 90 | 450 | 27 |
| DN40 | 140 | 150 | 415 | 210 | 220 | 120 | 550 | 35 |
| DN50 | 148 | 165 | 465 | 235 | 260 | 105 | 620 | 40 |

| Material quality | Nominal inner diameter | Pressure rating | Article |
|------------------|------------------------|-----------------|----------|
| EN-JL1030 | DN15 | PN10 | 14380447 |
| EN-JL1030 | DN20 | PN10 | 14380449 |
| EN-JL1030 | DN25 | PN10 | 14380450 |
| EN-JL1030 | DN32 | PN10 | 14380451 |
| EN-JL1030 | DN40 | PN10 | 14380452 |
| EN-JL1030 | DN50 | PN10 | 14380453 |

Disclaimer: The content of this document has been composed with the utmost care. However, it is possible that certain information changes over time, becomes inaccurate or incomplete. ERIKS does not guarantee that the information provided on this document is up to date, accurate and complete; the information provided is not intended to be advice. ERIKS shall never be liable for damage resulting from the use of the information provided.