



ECON® Ball valve Type: 1607EE Brass Electric operated Internal thread (BSPP) PN25/40

Mounted electrically controlled 2-way ball valve consisting of: Two-piece Econ® ball valve (type: 1607ISO) and electric Econ® actuator (type: 7907).

The electrically controlled 2-way ball valve is configured according to the following basic principles: Medium is water, medium temperature is max. 100°C, ball valve is actuated at least a few times daily, actuator structure according to Eriks standard.



Characteristics

Type: 1607EE

Norm: EN (DIN)

Construction type: 2-way

Housing construction: 2-part

Housing material: Brass

Material quality: CW617N

Surface protection: Nickel-plated

Connection: Internal thread (BSPP)

Actuator: Electric operated

Spindle material: Brass

Primary spindle seal material: PTFE

Secondary spindle seal material: HNBR

Body seal: PTFE

Actuator material: Aluminium

Minimum medium temperature (continuous): 0 °C

Maximum medium temperature (continuous): 130 °C

Application

- HVAC, water and compressed air systems.

Technical Information

- Connections with female threads in accordance with EN 10226-1 (ISO 7/1).
- Available in sizes ranging from 1/2" to 2".
- Pressure class PN40 for 0.5-1.25 inch and PN25 for 1.5-2 inch
- Connection voltage for ELA40 in 24V DC/95 to 245V AC
- Connection voltages for ELA60: 24V AC/DC or 230V AC
- Protection class for drive IP67
- Drive with anti-condensation heating
- Thermal protection of the electric motor.

Construction

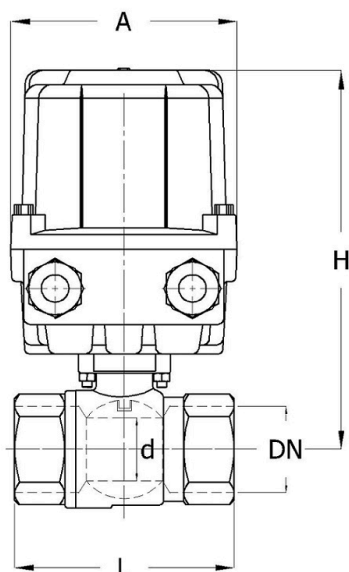
- Two-piece housing construction.
- Design in accordance with EN 13828.
- Full bore.
- Face-to-face dimension according to manufacturer's standard.

Options

ELA60 model only:

- Protection class for drive IP68 (10 m/72 h).
- Explosion-proof housing according to: II 2G Ex dB IIB T4 GB, II 2D Ex tb IIC T1 35°C dB.
- Proportional control unit for modulating purposes (input/output 0~10V DC 2~10V DC/4~20mA).
- Connection voltages: 24V AC/DC, 115V AC, 230V AC, 380V AC, 440V AC or 460V AC.

Size table:



DN	d mm	L mm	H mm	A mm	Weight kg
1/2" [15]	15	75	170	106	3.22
1/2" [15]	15	75	162.3	88.6	1.42
3/4" [20]	20	80	164.3	88.6	1.51
3/4" [20]	20	80	172.5	106	3.31
1" [25]	25	90	176	106	3.54
1" [25]	25	90	168.3	88.6	1.74
1.1/4" [32]	32	110	179.3	88.6	2.07
1.1/4" [32]	32	110	187	106	3.87
1.1/2" [40]	40	120	193.5	106	4.16
1.1/2" [40]	40	120	185.8	88.6	2.36
2" [50]	50	140	205	106	4.99

Size	Pressure class	Pressure and temperature range			
		-20	90	130	[°C]
1/2" - 1.1/4"	PN40	40	25	16	[bar]
1.1/2" - 2"	PN25	25	15	10	[bar]

Nominal inner diameter	Standard thread connection	Pressure rating	Face to Face norm	Type coding actuator	Brand actuator	Supply voltage	Bore	Material ball	Seat material	Article
1/2" [15]	ISO 7/1 Rp	PN40	Manufacturer standard	ELA60	ECON	24V AC/DC	Full bore	CW614N chromed	PTFE	14288101
1/2" [15]	ISO 7/1 Rp	PN40	Manufacturer standard	ELA40	ECON	24V DC/95-245V AC	Full bore	CW614N chromed	PTFE	14288095
3/4" [20]	ISO 7/1 Rp	PN40	Manufacturer standard	ELA40	ECON	24V DC/95-245V AC	Full bore	CW614N chromed	PTFE	14288096
3/4" [20]	ISO 7/1 Rp	PN40	Manufacturer standard	ELA60	ECON	24V AC/DC	Full bore	CW614N chromed	PTFE	14288102
1" [25]	ISO 7/1 Rp	PN40	Manufacturer standard	ELA60	ECON	24V AC/DC	Full bore	CW614N chromed	PTFE	14288103
1" [25]	ISO 7/1 Rp	PN40	Manufacturer standard	ELA40	ECON	24V DC/95-245V AC	Full bore	CW614N chromed	PTFE	14288097
1.1/4" [32]	ISO 7/1 Rp	PN40	Manufacturer standard	ELA40	ECON	24V DC/95-245V AC	Full bore	CW614N chromed	PTFE	14288098
1.1/4" [32]	ISO 7/1 Rp	PN40	Manufacturer standard	ELA60	ECON	24V AC/DC	Full bore	CW614N chromed	PTFE	14288104
1.1/2" [40]	ISO 7/1 Rp	PN25	Manufacturer standard	ELA60	ECON	24V AC/DC	Full bore	CW614N chromed	PTFE	14288105
1.1/2" [40]	ISO 7/1 Rp	PN25	Manufacturer standard	ELA40	ECON	24V DC/95-245V AC	Full bore	CW614N chromed	PTFE	14288099
2" [50]	ISO 7/1 Rp	PN25	Manufacturer standard	ELA60	ECON	230V AC	Full bore	CW614N chromed	PTFE	14288100
2" [50]	ISO 7/1 Rp	PN25	Manufacturer standard	ELA60	ECON	24V AC/DC	Full bore	CW614N chromed	PTFE	14288106

Disclaimer: The content of this document has been composed with the utmost care. However, it is possible that certain information changes over time, becomes inaccurate or incomplete. ERIKS does not guarantee that the information provided on this document is up to date, accurate and complete; the information provided is not intended to be advice. ERIKS shall never be liable for damage resulting from the use of the information provided.