

ECON® Ball valve Type: 7752EE Stainless steel Electric operated Internal thread (BSPP) 1000 PSI WOG



Mounted electrically controlled 2-way ball valve consisting of: Two-piece Econ® ball valve [type: 7752ISO] and electric Econ® actuator [type: 7907].

The electrically controlled 2-way ball valve is configured according to the following basic principles: Medium is water, medium temperature is max. 100°C, ball valve is actuated at least a few times daily, actuator structure according to Eriks standard.



Characteristics

Type: 7752EE

Norm: EN [DIN]

Construction type: 2-way

Housing construction: 2-part

Housing material: Stainless steel

Material quality: 1.4408

Connection: Internal thread [BSPP]

Actuator: Electric operated

Spindle material: 1.4401

Primary spindle seal material: PTFE

Secondary spindle seal material: FPM [FKM]

Tertiary spindle seal material: PTFE

Body seal: PTFE

Actuator material: Aluminium

Application

- Compressed air, central heating systems, water, fuel and slightly corrosive systems up to a maximum of 68 bar.

Technical Information

- Connection according to ISO 228-1 BSPP.
- Pressure class 1000 PSI WOG
- In sizes 0.25-3 inches
- Connection voltage for ELA40 in 24V DC/95 to 245V AC
- Connection voltages for ELA60 to ELA150: 24V AC/ DC or 230V AC
- Protection class for drive IP67
- Drive with anti-condensation heating
- Thermal protection of the electric motor.

Construction

- Two-piece housing construction.
- Design in accordance with EN 12516-2.
- Full bore.

- Equipped with anti-static design between ball, spindle and housing.

Approval

- TA Luft certified in accordance with VDI 2440, section 3.3.1.3.
- Declaration of conformity according to EC 1935/2004.

Options

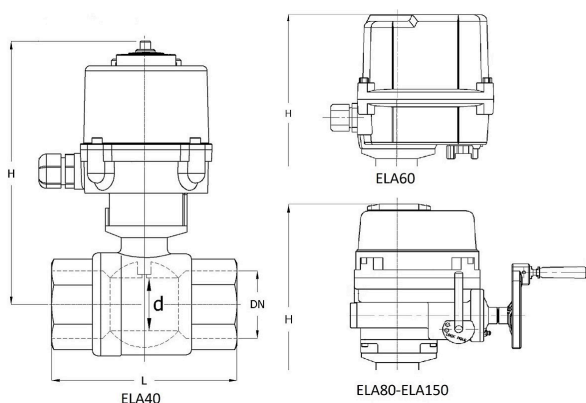
ELA60 to ELA150 model only:

- Protection class for drive IP68 [10 m/72 h].
- Explosion-proof housing according to: II 2G Ex dB IIB T4 GB, II 2D Ex tb IIC T1 35°C dB.
- Fail-safe version with battery pack [ELA80 to ELA150].
- Proportional control unit for modulating purposes [input/output 0~10V DC 2~10V DC/4~20mA].
- Connection voltages: 24V AC/DC, 115V AC, 230V AC, 380V AC, 440V AC or 460V AC.

For all models:

- Stainless-steel extended spindle for insulation [Fig. 8007].
- Connection in NPT according to ASME B1.20.1.

Ball Valves | Automated ball valves with threaded connection



Size table:

DN	d mm	L mm	H mm	Weight kg
1/4" [8]	10.6	64	166.3	1.6
1/4" [8]	10.6	64	174	3.4
3/8" [10]	12.7	64	166.3	1.6
3/8" [10]	12.7	64	171	3.4
1/2" [15]	15	64	166.3	1.7
1/2" [15]	15	64	174	3.5
3/4" [20]	20	70	181	3.6
3/4" [20]	20	70	173.3	1.8
1" [25]	25	85	191	4
1" [25]	25	85	182.3	2.2
1.1/4" [32]	32	94	195	4.4
1.1/4" [32]	32	94	187.3	2.6
1.1/2" [40]	38	105	195.3	3.4
1.1/2" [40]	38	105	203	5.2
2" [50]	50	125	210	6.6
2.1/2" [65]	63.5	155	338	14
3" [80]	76	173	380	25.7

Nominal inner diameter	Standard thread connection	Pressure rating	Face to Face norm	Type coding actuator	Brand actuator	Supply voltage	Bore	Material ball	Seat material	Article
1/4" [8]	ISO 228-1	1000 PSI WOG	Manufacturer standard	ELA40	ECON	24V DC/95-245V AC	Full bore	1.4408	PTFE	14288107
1/4" [8]	ISO 228-1	1000 PSI WOG	Manufacturer standard	ELA60	ECON	24V AC/DC	Full bore	1.4408	PTFE	14288117
3/8" [10]	ISO 228-1	1000 PSI WOG	Manufacturer standard	ELA40	ECON	24V DC/95-245V AC	Full bore	1.4408	PTFE	14288108
3/8" [10]	ISO 228-1	1000 PSI WOG	Manufacturer standard	ELA60	ECON	24V AC/DC	Full bore	1.4408	PTFE	14288118
1/2" [15]	ISO 228-1	1000 PSI WOG	Manufacturer standard	ELA40	ECON	24V DC/95-245V AC	Full bore	1.4408	PTFE	14288109
1/2" [15]	ISO 228-1	1000 PSI WOG	Manufacturer standard	ELA60	ECON	24V AC/DC	Full bore	1.4408	PTFE	14288119
3/4" [20]	ISO 228-1	1000 PSI WOG	Manufacturer standard	ELA60	ECON	24V AC/DC	Full bore	1.4408	PTFE	14288120
3/4" [20]	ISO 228-1	1000 PSI WOG	Manufacturer standard	ELA40	ECON	24V DC/95-245V AC	Full bore	1.4408	PTFE	14288110
1" [25]	ISO 228-1	1000 PSI WOG	Manufacturer standard	ELA60	ECON	24V AC/DC	Full bore	1.4408	PTFE	14288121
1" [25]	ISO 228-1	1000 PSI WOG	Manufacturer standard	ELA40	ECON	24V DC/95-245V AC	Full bore	1.4408	PTFE	14288111
1.1/4" [32]	ISO 228-1	1000 PSI WOG	Manufacturer standard	ELA60	ECON	24V AC/DC	Full bore	1.4408	PTFE	14288122
1.1/4" [32]	ISO 228-1	1000 PSI WOG	Manufacturer standard	ELA40	ECON	24V DC/95-245V AC	Full bore	1.4408	PTFE	14288112

Disclaimer: The content of this document has been composed with the utmost care. However, it is possible that certain information changes over time, becomes inaccurate or incomplete. ERIKS does not guarantee that the information provided on this document is up to date, accurate and complete; the information provided is not intended to be advice. ERIKS shall never be liable for damage resulting from the use of the information provided.

Ball Valves | Automated ball valves with threaded connection

Nominal inner diameter	Standard thread connection	Pressure rating	Face to Face norm	Type coding actuator	Brand actuator	Supply voltage	Bore	Material ball	Seat material	Article
1.1/2" [40]	ISO 228-1	1000 PSI WOG	Manufacturer standard	ELA40	ECON	24V DC/95-245V AC	Full bore	1.4408	PTFE	14288113
1.1/2" [40]	ISO 228-1	1000 PSI WOG	Manufacturer standard	ELA60	ECON	24V AC/DC	Full bore	1.4408	PTFE	14288123
2" [50]	ISO 228-1	1000 PSI WOG	Manufacturer standard	ELA60	ECON	230V AC	Full bore	1.4408	PTFE	14288114
2" [50]	ISO 228-1	1000 PSI WOG	Manufacturer standard	ELA60	ECON	24V AC/DC	Full bore	1.4408	PTFE	14288124
2.1/2" [65]	ISO 228-1	1000 PSI WOG	Manufacturer standard	ELA80	ECON	24V AC/DC	Full bore	1.4408	PTFE	14288125
2.1/2" [65]	ISO 228-1	1000 PSI WOG	Manufacturer standard	ELA80	ECON	230V AC	Full bore	1.4408	PTFE	14288115
3" [80]	ISO 228-1	1000 PSI WOG	Manufacturer standard	ELA150	ECON	230V AC	Full bore	1.4408	PTFE	14288116
3" [80]	ISO 228-1	1000 PSI WOG	Manufacturer standard	ELA150	ECON	24V AC/DC	Full bore	1.4408	PTFE	14288126

Disclaimer: The content of this document has been composed with the utmost care. However, it is possible that certain information changes over time, becomes inaccurate or incomplete. ERIKS does not guarantee that the information provided on this document is up to date, accurate and complete; the information provided is not intended to be advice. ERIKS shall never be liable for damage resulting from the use of the information provided.