

ADCA Ball float steam trap Type: 2931E Series: FLT ductile iron maximum pressure difference 4,5 bar flange



ADCA float steam traps are universally applicable in all steam systems. The float mechanism guarantees a direct discharge of condensate at steam temperature. There is no stalling or subcooling in front of the steam trap, enabling a maximum heat transfer to take place in your heat exchanger. Due to the integrated bi-metal vent, the ADCA float steam traps will quickly discharge the air and other non-condensable gases during the start-up, which significantly reduces the start-up time. Due to the modulating action of the float, the ADCA float steam traps are insensitive to sudden changes in capacity or pressure. Another considerable advantage is that you can adjust the flow direction yourself; both from left to right and vice versa, as to vertical.



Characteristics

Series: FLT

Type: 2931E

Connection: Flange

Standard connection: EN 1092-1/02

Maximum pressure difference: 4.5 bar

PMA - maximum allowable pressure: 16 bar

TMA - maximum allowable temperature: 250 °C

PMO - maximum operating pressure: 14 bar

TMO - maximum operating temperature: 250 °C

Housing material: Ductile cast iron

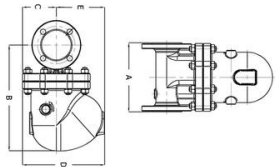
Material bonnet: Ductile cast iron

Seat material: Stainless steel 303 (1.4305)

With automatic de-aerator: Yes

With built-in filter: No

Approvals: PED 2014/68/EU fluid group 2



Application

- Universally applicable for directly discharging of large quantities of condensate in among others: Heat exchangers.
- Air heaters.
- Counter current devices.

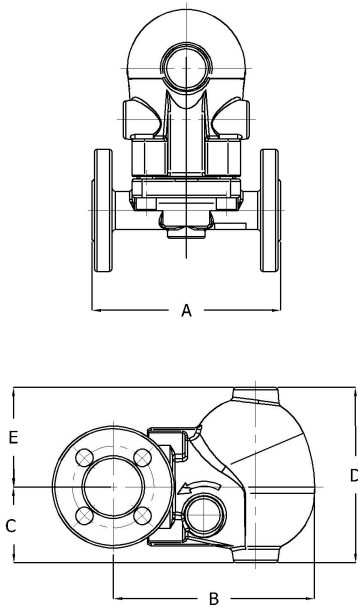
Technical Information

- CE-markering - Groep 2 (PED - European Directive): Uitvoering DN15, tot en met DN50 normale capaciteit: Categorie SEP.
- Uitvoering DN50 hoge capaciteit: 1 [CE gemarkeerd].

Options

- Steam Lock Release [SLR].
- Vent valve [HVV].
- Drain valve [BDV].
- Anti Freezing Unit [AFZ].
- Float lever [FLL].
- Vacuum breaker [VB21M].

Size table:



DN	Capacity	A mm	B mm	D mm	C mm	E mm	Weight kg/s
DN15	SC	150	160	139	60	79	6.2
DN20	SC	150	160	139	60	79	6.7
DN25	HC	160	212	189	73	116	12
DN25	SC	160	160	139	60	79	7.4
DN40	SC	230	250	215	80	136	21.9
DN50	HC	230	303	215	80	136	40.8
DN50	SC	230	250	215	80	136	23.8

Capacity table in kg/h						
Capacity	DN	Pressure difference [bar]				
		0.5 bar	1 bar	1.5 bar	2 bar	4.5 bar
SC	DN15 - DN25	305	395	455	500	680
HC	DN25	900	1250	1490	1630	2490
SC	DN40 - DN50	2400	3400	3900	4500	7300
HC	DN50	7550	11000	14000	15500	22500

Connection size	Pressure rating	Capacity type	Material quality body	Material quality	Mounting direction	Flow direction	PED classification	Article
DN15	PN16	SC	EN-JS1030	EN-JS1030	Vertical	downward	PED-SEP	14415226
DN15	PN16	SC	EN-JS1030	EN-JS1030	Horizontal	left → right	PED-SEP	14415227
DN15	PN16	SC	EN-JS1030	EN-JS1030	Horizontal	right → left	PED-SEP	14257561
DN20	PN16	SC	EN-JS1030	EN-JS1030	Vertical	downward	PED-SEP	14415228
DN20	PN16	SC	EN-JS1030	EN-JS1030	Horizontal	left → right	PED-SEP	14415229
DN20	PN16	SC	EN-JS1030	EN-JS1030	Horizontal	right → left	PED-SEP	14257562
DN25	PN16	HC	EN-JS1030	EN-JS1030	Vertical	downward	PED-SEP	14415322
DN25	PN16	HC	EN-JS1030	EN-JS1030	Horizontal	left → right	PED-SEP	14415323
DN25	PN16	HC	EN-JS1030	EN-JS1030	Horizontal	right → left	PED-SEP	14257564
DN25	PN16	SC	EN-JS1030	EN-JS1030	Vertical	downward	PED-SEP	14415230
DN25	PN16	SC	EN-JS1030	EN-JS1030	Horizontal	left → right	PED-SEP	14415231
DN25	PN16	SC	EN-JS1030	EN-JS1030	Horizontal	right → left	PED-SEP	14257563
DN40	PN16	SC	EN-JS1030	EN-JS1030	Vertical	downward	PED-SEP	14415368
DN40	PN16	SC	EN-JS1030	EN-JS1030	Horizontal	left → right	PED-SEP	14415369
DN40	PN16	SC	EN-JS1030	EN-JS1030	Horizontal	right → left	PED-SEP	14257565
DN50	PN16	HC	EN-JS1030	EN-JS1030	Vertical	downward	PED cat. I	14415354
DN50	PN16	HC	EN-JS1030	EN-JS1030	Horizontal	left → right	PED cat. I	14415355
DN50	PN16	HC	EN-JS1030	EN-JS1030	Horizontal	right → left	PED cat. I	14257567
DN50	PN16	SC	EN-JS1030	EN-JS1030	Vertical	downward	PED-SEP	14415382

Disclaimer: The content of this document has been composed with the utmost care. However, it is possible that certain information changes over time, becomes inaccurate or incomplete. ERIKS does not guarantee that the information provided on this document is up to date, accurate and complete; the information provided is not intended to be advice. ERIKS shall never be liable for damage resulting from the use of the information provided.

Connection size	Pressure rating	Capacity type	Material quality body	Material quality	Mounting direction	Flow direction	PED classification	Article
DN50	PN16	SC	EN-JS1030	EN-JS1030	Horizontal	left → right	PED-SEP	14415383
DN50	PN16	SC	EN-JS1030	EN-JS1030	Horizontal	right → left	PED-SEP	14257566

Disclaimer: The content of this document has been composed with the utmost care. However, it is possible that certain information changes over time, becomes inaccurate or incomplete. ERIKS does not guarantee that the information provided on this document is up to date, accurate and complete; the information provided is not intended to be advice. ERIKS shall never be liable for damage resulting from the use of the information provided.