



## ECON® Butterfly valve Type: 4931L Ductile cast iron/Stainless steel Handle Lug type

### Characteristics

**Type:** 4931L  
**Norm:** EN (DIN)  
**Valve design:** Centric  
**Housing material:** Ductile cast iron  
**Material quality:** EN-JS1025  
**Surface protection:** Epoxy coating (external)  
**Connection:** Lug type  
**Standard connection:** EN (DIN)

**Face to Face norm:** EN 558, Series 20

**Operation:** Handle

**Housing lining:** Replaceable

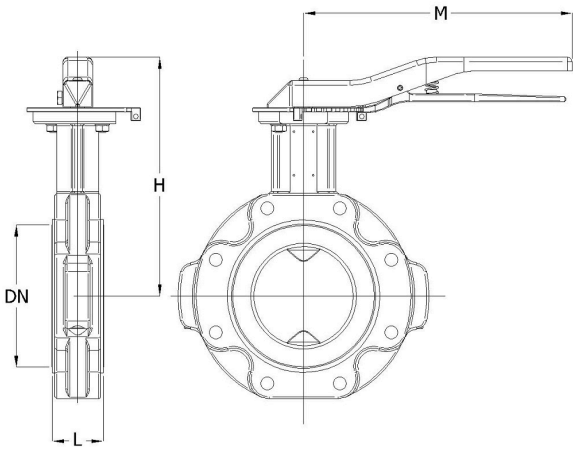
**Disk material:** Stainless steel

**Quality class disc:** 1.4469

**Actuator material:** 1.4301

### Application

- Recommended in: Chemical



Size table:

DN	H	L	M	Weight
	mm	mm	mm	kg
DN40	140	33	232.5	4.1
DN50	185	43	272.5	7.2
DN65	201	46	272.5	8.6
DN80	220	46	272.5	10.2
DN100	240	52	272.5	14.2
DN125	257	56	272.5	18.3
DN150	272	56	272.5	20.5
DN200	300	60	350	32.1

### Pressure and temperature range

Size	Liner	Pressure rating	Temperature range	-20	100	140	200	[°C]
DN40 - DN150	PTFE	PN10	-20°/+200°C	10	10	10	6	[bar]
DN200 - DN300	PTFE	PN10	-20°/+200°C	10	10	7	3	[bar]

Nominal inner diameter	Pressure rating	Pressure rating flange	Face to Face length	Material liner	Spindle material	Quality class spindle	Minimum medium temperature (continuous)	Maximum medium temperature (continuous)	Article
			mm				°C	°C	
DN40	PN10	PN10/16	33	PTFE/SIL	Stainless steel	1.4469	-20	200	14077558
DN50	PN10	PN10/16	43	PTFE/SIL	Stainless steel	1.4469	-20	200	13492180
DN65	PN10	PN10/16	46	PTFE/SIL	Stainless steel	1.4469	-20	200	14077559
DN80	PN10	PN10/16	46	PTFE/SIL	Stainless steel	1.4469	-20	200	14032925
DN100	PN10	PN10/16	52	PTFE/SIL	Stainless steel	1.4469	-20	200	14036395
DN125	PN10	PN10/16	56	PTFE/SIL	Stainless steel	1.4469	-20	200	14036396
DN150	PN10	PN10/16	56	PTFE/SIL	Stainless steel	1.4469	-20	200	14077560
DN200	PN10	PN10	60	PTFE/SIL	Stainless steel	1.4469	-20	200	14036397

Disclaimer: The content of this document has been composed with the utmost care. However, it is possible that certain information changes over time, becomes inaccurate or incomplete. ERIKS does not guarantee that the information provided on this document is up to date, accurate and complete; the information provided is not intended to be advice. ERIKS shall never be liable for damage resulting from the use of the information provided.