



ECON® Butterfly valve Type: 6831TFM Ductile cast iron/ Stainless steel Squeeze handle Lug type



Characteristics

- Type:** 6831TFM
- Norm:** EN (DIN)
- Valve design:** Centric
- Housing material:** Ductile cast iron
- Material quality:** EN-JS1030
- Surface protection:** Polyester powder coating min. 200µm
- Connection:** Lug type
- Face to Face norm:** EN 558, Series 20
- Operation:** Squeeze handle
- Top flange standard:** ISO 5211 Direct Mount
- Housing lining:** Replaceable
- Disk material:** Stainless steel
- Quality class disc:** 1.4408
- Actuator material:** Malleable cast iron
- Approvals:** DoC EC1935/2004 FDA

Application

- Foodstuff and light industrial applications.
- Foodstuff applications that must comply with the EC 1935 standard.
- Recommended in: Food & Beverages

Technical Information

- Full-length shaft-valve disc construction.
- Long neck for isolation.
- With "direct mount" top flange in accordance with ISO 5211.
- Bronze bearing bushings.
- Vulcanised, PTFE (TFM1600) coated EPDM rubber lining, fixed on plastic ring, replaceable.
- Polished stainless steel valve disc.

Approval

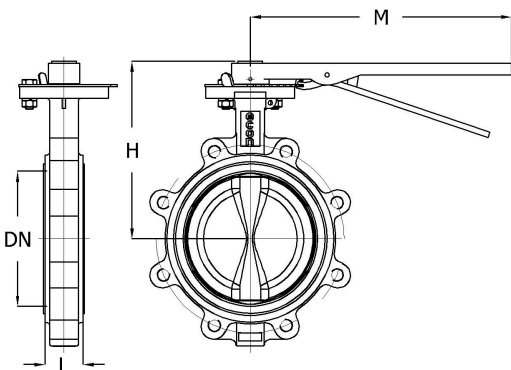
- This butterfly valve complies with EC 1935. This standard applies to all materials that come into direct or indirect contact with foodstuffs.

Options

- Pneumatic, electric or hydraulic actuators.
- Position feedback for manually operated or automated valves.

Size table:

DN	H mm	L mm	M mm	Weight kg
DN40	145	33	195	2.8
DN50	173	43	265	4.4
DN65	186	46	265	5
DN80	192	46	265	5.5
DN100	212	52	265	8.3
DN125	228	56	265	11
DN150	242	56	265	12



Disclaimer: The content of this document has been composed with the utmost care. However, it is possible that certain information changes over time, becomes inaccurate or incomplete. ERIKS does not guarantee that the information provided on this document is up to date, accurate and complete; the information provided is not intended to be advice. ERIKS shall never be liable for damage resulting from the use of the information provided.

Pressure and temperature range				
DN	Liner	Pressure rating	Temperature range	Max. working pressure
DN40-DN150	TFM	PN16	-10°/+110°C	16 bar

Nominal inner diameter	Pressure rating	Pressure rating flange	Face to Face length	Material liner	Spindle material	Quality class spindle	Minimum medium temperature [continuous]	Maximum medium temperature [continuous]	Article
			mm				°C	°C	
DN40	PN10	PN10/16	33	TFM	Stainless steel	1.4057	-10	110	13505313
DN50	PN10	PN10/16	43	TFM	Stainless steel	1.4057	-10	110	13505314
DN65	PN10	PN10/16	46	TFM	Stainless steel	1.4057	-10	110	13505315
DN80	PN10	PN10/16	46	TFM	Stainless steel	1.4057	-10	110	13505316
DN100	PN10	PN10/16	52	TFM	Stainless steel	1.4057	-10	110	13505317
DN125	PN10	PN10/16	56	TFM	Stainless steel	1.4057	-10	110	13505318
DN150	PN10	PN10/16	56	TFM	Stainless steel	1.4057	-10	110	13505319

Disclaimer: The content of this document has been composed with the utmost care. However, it is possible that certain information changes over time, becomes inaccurate or incomplete. ERIKS does not guarantee that the information provided on this document is up to date, accurate and complete; the information provided is not intended to be advice. ERIKS shall never be liable for damage resulting from the use of the information provided.