

ERIKS Cylindrical buffer D NR



You use the cylindrical stop buffer, or vibration damper type D from ERIKS to absorb half the vibration in your application. This product consists of a cylindrical rubber part, which has an external (male) threaded stud on both sides. This type does the same job as the cylindrical vibration dampers A, B and C, but the machine remains separate. This allows fast and easy movement of the machine. You can also use this product as an impact buffer to absorb knocks or bumps and reduce impact damage. This rubber stop buffer works best when subjected to a pressure load. Be careful, though, because when this product is loaded in shear, the maximum pressure it can handle reduces by a factor of six. Note also that this vibration damper is not suitable for tensile loads.

Characteristics

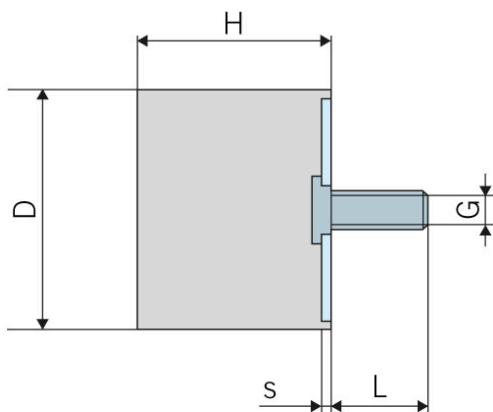
Type: D

Material rubber: NR

Construction

- The standard version has the following features:
 Standard hardness: 50 Shore A
 Standard rubber quality: NR 55
 Standard metal grade: ST37, galvanised, resistant to a 72-hour exposure to a neutral salt spray according to ISO9227
 Compliant with REACH and RoHS
 Are you looking for something different? Send us a request for:
 A different hardness: 40 or 70 Shore A
 A different type of rubber: VMQ, EPDM or NBRA
 A different type of metal: Stainless Steel 1.4401 (AISI316) or Stainless Steel 1.4301 (AISI304)
 Specific compliance for food applications: EC1935 or FDA

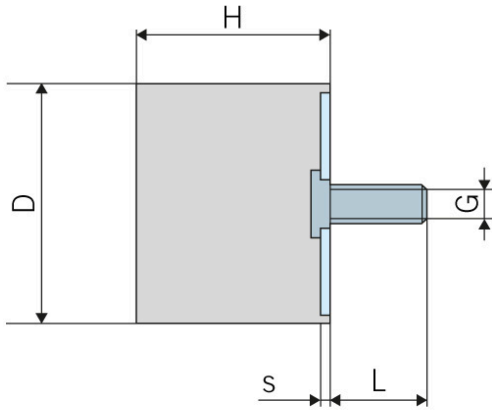
Size table:



D	H	G	L	L	s
mm	mm			mm	mm
50	15	M10	25	2	
75	25	M 12	37	3	
75	30	M 12	37	3	
80	30	M 12	37	3	
100	35	M 16	46	3	
100	50	M 16	46	3	
125	55	M 16	46	3	
6	7	M3	6	0.8	
6	8	M3	6	0.8	
6	10	M3	6	0.8	
6	13	M3	6	0.8	
8	6	M3	6	1	
8	8	M3	6	1	

Disclaimer: The content of this document has been composed with the utmost care. However, it is possible that certain information changes over time, becomes inaccurate or incomplete. ERIKS does not guarantee that the information provided on this document is up to date, accurate and complete; the information provided is not intended to be advice. ERIKS shall never be liable for damage resulting from the use of the information provided.

Size table:

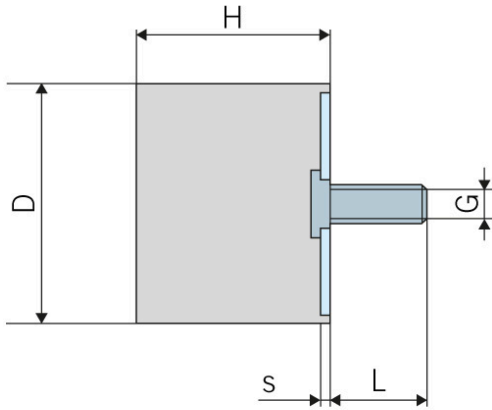


D	H	G	L	L	s
8	10	M3	6	1	
8	13	M3	6	1	
8	15	M3	6	1	
10	6	M4	10	1.2	
10	8	M4	10	1.2	
10	10	M4	10	1.2	
10	12	M4	10	1.2	
10	15	M4	10	1.2	
10	20	M4	10	1.2	
15	8	M4	15	1.4	
15	10	M4	15	1.4	
15	12	M4	15	1.4	
15	15	M4	15	1.4	
15	20	M4	15	1.4	
20	6	M6	18	2	
20	8	M6	18	2	
20	10	M6	18	2	
20	13	M6	18	2	
20	15	M6	18	2	
20	20	M6	18	2	
20	25	M6	18	2	
20	30	M6	18	2	
25	8	M6	18	2	
25	10	M6	18	2	
25	15	M6	18	2	
25	20	M6	18	2	
25	25	M6	18	2	
25	30	M6	18	2	
25	40	M6	18	2	
30	10	M8	20	2	
30	15	M8	20	2	
30	20	M8	20	2	
30	25	M8	20	2	
30	30	M8	20	2	
30	35	M8	20	2	
30	40	M8	20	2	
40	10	M8	23	2	
40	15	M8	23	2	
40	20	M8	23	2	

Disclaimer: The content of this document has been composed with the utmost care. However, it is possible that certain information changes over time, becomes inaccurate or incomplete. ERIKS does not guarantee that the information provided on this document is up to date, accurate and complete; the information provided is not intended to be advice. ERIKS shall never be liable for damage resulting from the use of the information provided.

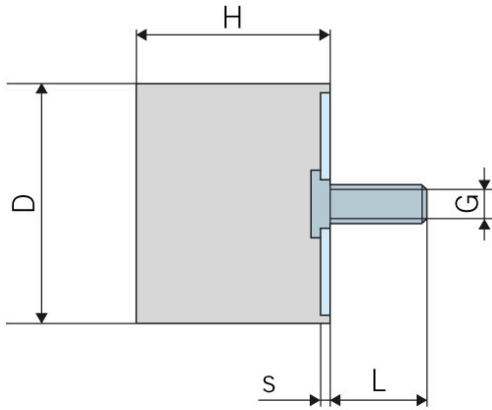
Size table:

D	H	G	L	L	s
40	25	M8	23	2	
40	30	M8	23	2	
40	35	M8	23	2	
40	40	M8	23	2	
50	20	M10	25	2	
50	25	M10	25	2	
50	30	M10	25	2	
50	35	M10	25	2	
50	40	M10	25	2	
50	45	M10	25	2	
50	50	M10	25	2	
50	60	M10	25	2	
60	15	M10	25	2	
60	20	M10	25	2	
60	25	M10	25	2	
60	30	M10	25	2	
60	35	M10	25	2	
60	40	M10	25	2	
60	45	M10	25	2	
60	50	M10	25	2	
60	60	M10	25	2	
70	35	M10	30	3	
70	40	M10	30	3	
70	45	M10	30	3	
70	50	M10	30	3	
70	60	M10	30	3	
75	20	M 12	37	3	
75	35	M 12	37	3	
75	40	M 12	37	3	
75	45	M 12	37	3	
75	50	M 12	37	3	
75	55	M 12	37	3	
75	60	M 12	37	3	
75	70	M 12	37	3	
80	40	M 12	37	3	
80	50	M 12	37	3	
80	60	M 12	37	3	
80	80	M 12	37	3	
100	30	M 16	46	3	



Disclaimer: The content of this document has been composed with the utmost care. However, it is possible that certain information changes over time, becomes inaccurate or incomplete. ERIKS does not guarantee that the information provided on this document is up to date, accurate and complete; the information provided is not intended to be advice. ERIKS shall never be liable for damage resulting from the use of the information provided.

Size table:



D	H	G	L	s
100	40	M 16	46	3
100	55	M 16	46	3
100	60	M 16	46	3
100	75	M 16	46	3
100	100	M 16	46	3
125	40	M 16	46	3
150	50	M 16	46	4
150	75	M 16	46	4
150	120	M 16	46	4

Hardness rubber	Material metal	Outside diameter	Outside height	Thread size	Compression Load at 25% compression	Compression Deflection (max)	Article
		mm	mm		N	mm	
							12585641
55	Galvanized steel	50	15	M10	4730	3.75	13371985
55	Galvanized steel	75	25	M 12	9770	6.25	10041287
55	Galvanized steel	75	30	M 12	7750	7.5	13372013
55	Galvanized steel	80	30	M 12	9950	7.5	13372017
55	Galvanized steel	100	35	M 16	14310	8.75	13371941
55	Galvanized steel	100	50	M 16	14040	12.5	10041301
55	Galvanized steel	125	55	M 16	25010	13.75	13371954
55	Galvanized steel	6	7	M3	42.5	1.75	13372002
55	Galvanized steel	6	8	M3	38.5	2	13372003
55	Galvanized steel	6	10	M3	38.6	2.5	13372000
55	Galvanized steel	6	13	M3	35.2	3.25	13372001
55	Galvanized steel	8	6	M3	127.4	1.5	13372025
55	Galvanized steel	8	8	M3	62.5	2	11089067
55	Galvanized steel	8	10	M3	67.4	2.5	13372022
55	Galvanized steel	8	13	M3	69	3.25	13372023
55	Galvanized steel	8	15	M3	68.1	3.75	13372024
55	Galvanized steel	10	6	M4	151.2	1.5	13371949
55	Galvanized steel	10	8	M4	120.9	2	13371950
55	Galvanized steel	10	10	M4	90.3	2.5	10041221
55	Galvanized steel	10	12	M4	101	3	13371945
55	Galvanized steel	10	15	M4	96.3	3.75	13371946
55	Galvanized steel	10	20	M4	103.4	5	13371948
55	Galvanized steel	15	8	M4	294	2	10041226
55	Galvanized steel	15	10	M4	331.9	2.5	13371965
55	Galvanized steel	15	12	M4	301	3	13371966
55	Galvanized steel	15	15	M4	265	3.75	13371967
55	Galvanized steel	15	20	M4	229.4	5	13371969
55	Galvanized steel	20	6	M6	1479	1.5	11468087
55	Galvanized steel	20	8	M6	945	2	11015927
55	Galvanized steel	20	10	M6	660	2.5	11117419
55	Galvanized steel	20	13	M6	443.5	3.25	13371971

Disclaimer: The content of this document has been composed with the utmost care. However, it is possible that certain information changes over time, becomes inaccurate or incomplete. ERIKS does not guarantee that the information provided on this document is up to date, accurate and complete; the information provided is not intended to be advice. ERIKS shall never be liable for damage resulting from the use of the information provided.

Hardness rubber	Material metal	Outside diameter	Outside height	Thread size	Compression Load at 25% compression	Compression Deflection (max)	Article
		mm	mm		N	mm	
55	Galvanized steel	20	15	M6	423	3.75	10041236
55	Galvanized steel	20	20	M6	412	5	10041237
55	Galvanized steel	20	25	M6	409	6.25	10041238
55	Galvanized steel	20	30	M6	397	7.5	13371972
55	Galvanized steel	25	8	M6	1678	2	13371978
55	Galvanized steel	25	10	M6	1371	2.5	13371973
55	Galvanized steel	25	15	M6	996	3.75	13371974
55	Galvanized steel	25	20	M6	599.4	5	10041244
55	Galvanized steel	25	25	M6	625	6.25	13371975
55	Galvanized steel	25	30	M6	585	7.5	13371976
55	Galvanized steel	25	40	M6	614	10	13371977
55	Galvanized steel	30	10	M8	3440	2.5	13371979
55	Galvanized steel	30	15	M8	985	3.75	11007969
55	Galvanized steel	30	20	M8	1004	5	10041257
55	Galvanized steel	30	25	M8	1026	6.25	13371980
55	Galvanized steel	30	30	M8	784	7.5	10041260
55	Galvanized steel	30	35	M8	1074	8.75	13371981
55	Galvanized steel	30	40	M8	788	10	13371982
55	Galvanized steel	40	10	M8			12405203
55	Galvanized steel	40	15	M8	2580	3.75	13018792
55	Galvanized steel	40	20	M8	1670	5	11023353
55	Galvanized steel	40	25	M8	1660	6.25	13371983
55	Galvanized steel	40	30	M8	1450	7.5	10041265
55	Galvanized steel	40	35	M8	1787	8.75	13371984
55	Galvanized steel	40	40	M8	1403	10	10041267
55	Galvanized steel	50	20	M10	3460	5	13371986
55	Galvanized steel	50	25	M10	4120	6.25	13371987
55	Galvanized steel	50	30	M10	2440	7.5	13371988
55	Galvanized steel	50	35	M10	3110	8.75	13371989
55	Galvanized steel	50	40	M10	2680	10	10041275
55	Galvanized steel	50	45	M10	2720	11.25	13371990
55	Galvanized steel	50	50	M10	2690	12.5	13371991
55	Galvanized steel	50	60	M10	2700	15	13371992
55	Galvanized steel	60	15	M10	7980	3.75	13371993
55	Galvanized steel	60	20	M10	3930	5	13371994
55	Galvanized steel	60	25	M10	5040	6.25	10041278
55	Galvanized steel	60	30	M10	5340	7.5	13371995
55	Galvanized steel	60	35	M10	3510	8.75	13371996
55	Galvanized steel	60	40	M10	3460	10	13371997
55	Galvanized steel	60	45	M10	4200	11.25	10041280
55	Galvanized steel	60	50	M10	3340	12.5	13371998
55	Galvanized steel	60	60	M10			13371999
55	Galvanized steel	70	35	M10	6710	8.75	10041282
55	Galvanized steel	70	40	M10	6200	10	13372007
55	Galvanized steel	70	45	M10	6290	11.25	10041283
55	Galvanized steel	70	50	M10	5110	12.5	13372008
55	Galvanized steel	70	60	M10	5060	15	13372010
55	Galvanized steel	75	20	M 12	11880	5	13372012
55	Galvanized steel	75	35	M 12	7980	8.75	13372014
55	Galvanized steel	75	40	M 12	6540	10	10041289
55	Galvanized steel	75	45	M 12	5470	11.25	10041290

Disclaimer: The content of this document has been composed with the utmost care. However, it is possible that certain information changes over time, becomes inaccurate or incomplete. ERIKS does not guarantee that the information provided on this document is up to date, accurate and complete; the information provided is not intended to be advice. ERIKS shall never be liable for damage resulting from the use of the information provided.

Hardness rubber	Material metal	Outside diameter	Outside height	Thread size	Compression Load at 25% compression	Compression Deflection (max)	Article
		mm	mm		N	mm	
55	Galvanized steel	75	50	M 12	5500	12.5	10041291
55	Galvanized steel	75	55	M 12	5170	13.75	11227796
55	Galvanized steel	75	60	M 12	5110	15	13372015
55	Galvanized steel	75	70	M 12	4860	17.5	13372016
55	Galvanized steel	80	40	M 12	9180	10	13372018
55	Galvanized steel	80	50	M 12	7310	12.5	13372019
55	Galvanized steel	80	60	M 12	8910	15	13372020
55	Galvanized steel	80	80	M 12	5540	20	13372021
55	Galvanized steel	100	30	M 16	19890	7.5	13371940
55	Galvanized steel	100	40	M 16	11870	10	10041299
55	Galvanized steel	100	55	M 16	10540	13.75	13371943
55	Galvanized steel	100	60	M 16	13020	15	13371944
55	Galvanized steel	100	75	M 16	12250	18.75	11063389
55	Galvanized steel	100	100	M 16	10030	25	13371939
55	Galvanized steel	125	40	M 16			13371953
55	Galvanized steel	150	50	M 16			13371961
55	Galvanized steel	150	75	M 16			13371964
55	Galvanized steel	150	120	M 16			11897478

Disclaimer: The content of this document has been composed with the utmost care. However, it is possible that certain information changes over time, becomes inaccurate or incomplete. ERIKS does not guarantee that the information provided on this document is up to date, accurate and complete; the information provided is not intended to be advice. ERIKS shall never be liable for damage resulting from the use of the information provided.