

ECON® Butterfly valve Type: 4991 Ductile cast iron/PFA Handle Wafer type



This is a dual-use or controlled item. When exporting this item outside the EU an export license is required from the regulatory authorities.

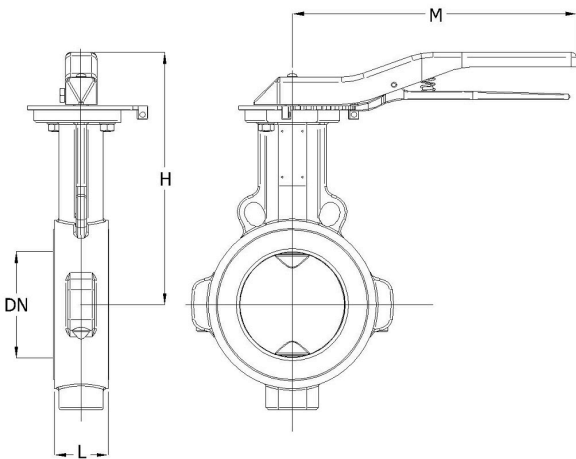
Characteristics

- Type:** 4991
- Norm:** EN (DIN)
- Valve design:** Centric
- Housing material:** Ductile cast iron
- Material quality:** EN-JS1025
- Surface protection:** Epoxy coating (external)
- Connection:** Wafer type
- Standard connection:** EN (DIN)/ ASME

- Face to Face norm:** EN 558, Series 20
- Operation:** Handle
- Housing lining:** Replaceable
- Disk material:** PFA
- Quality class disc:** S355J2G3
- Actuator material:** 1.4301

Application

- Recommended in: Chemical



Size table:

DN	H mm	L mm	M mm	Weight kg
DN40	140	33	232.5	2.8
DN50	185	43	272.5	4.5
DN65	201	46	272.5	5.6
DN80	220	46	272.5	6.3
DN100	240	52	272.5	7.6
DN125	257	56	272.5	9.8
DN150	272	56	272.5	12.2
DN200	300	60	350	20.5
DN250	325	68	350	30.7
DN300	363	78	350	50.7

Pressure and temperature range								
Size	Liner	Pressure rating	Temperature range	-20	100	140	200	[°C]
DN40 - DN150	PTFE	PN10	-20°/+200°C	10	10	10	6	[bar]
DN200 - DN300	PTFE	PN10	-20°/+200°C	10	10	7	3	[bar]

Nominal inner diameter	Pressure rating	Pressure rating flange	Face to Face length	Material liner	Spindle material	Quality class spindle	Minimum medium temperature [continuous]	Maximum medium temperature [continuous]	Article
			mm				°C	°C	
DN40 - 1.1/2"	PN10	PN10/16 and Class 150	33	PTFE/SIL	Stainless steel	1.4469	-20	200	14041660
DN50 - 2"	PN10	PN10/16 and Class 150	43	PTFE/SIL	Stainless steel	1.4469	-20	200	14041661

Disclaimer: The content of this document has been composed with the utmost care. However, it is possible that certain information changes over time, becomes inaccurate or incomplete. ERIKS does not guarantee that the information provided on this document is up to date, accurate and complete; the information provided is not intended to be advice. ERIKS shall never be liable for damage resulting from the use of the information provided.

Nominal inner diameter	Pressure rating	Pressure rating flange	Face to Face length	Material liner	Spindle material	Quality class spindle	Minimum medium temperature (continuous)	Maximum medium temperature (continuous)	Article
			mm				°C	°C	
DN65 - 2.1/2"	PN10	PN10/16 and Class 150	46	PTFE/SIL	Stainless steel	1.4469	-20	200	14041662
DN80 - 3"	PN10	PN10/16 and Class 150	46	PTFE/SIL	Stainless steel	1.4469	-20	200	14041663
DN80 - 3"	PN10	PN10/16 and Class 150	46	PTFE/SIL	Stainless steel	1.4469	-10	200	13419018
DN100 - 4"	PN10	PN10/16 and Class 150	52	PTFE/SIL	Stainless steel	1.4469	-20	200	14041664
DN125 - 5"	PN10	PN10/16 and Class 150	56	PTFE/SIL	Stainless steel	1.4469	-20	200	14041665
DN150 - 6"	PN10	PN10/16 and Class 150	56	PTFE/SIL	Stainless steel	1.4469	-10	200	13419021
DN150 - 6"	PN10	PN10/16 and Class 150	56	PTFE/SIL	Stainless steel	1.4469	-20	200	14041666
DN200 - 8"	PN10	PN10/16 and Class 150	60	PTFE/SIL	Stainless steel	1.4469	-20	200	14041667
DN250 - 10"	PN10	PN10/16 and Class 150	68	PTFE/SIL	Stainless steel	1.4462	-20	200	14041668
DN300 - 12"	PN10	PN10/16 and Class 150	78	PTFE/SIL	Stainless steel	1.4462	-20	200	14041669

Disclaimer: The content of this document has been composed with the utmost care. However, it is possible that certain information changes over time, becomes inaccurate or incomplete. ERIKS does not guarantee that the information provided on this document is up to date, accurate and complete; the information provided is not intended to be advice. ERIKS shall never be liable for damage resulting from the use of the information provided.