

## ECON® Butterfly valve Type: 4991 Ductile cast iron/PFA Handle Wafer type



This is a dual-use or controlled item. When exporting this item outside the EU an export license is required from the regulatory authorities.

### Characteristics

- Type:** 4991
- Norm:** EN (DIN)
- Valve design:** Centric
- Housing material:** Ductile cast iron
- Material quality:** EN-JS1025
- Surface protection:** Epoxy coating (external)
- Connection:** Wafer type
- Standard connection:** EN (DIN)/ ASME

**Face to Face norm:** EN 558, Series 20

**Operation:** Handle

**Housing lining:** Replaceable

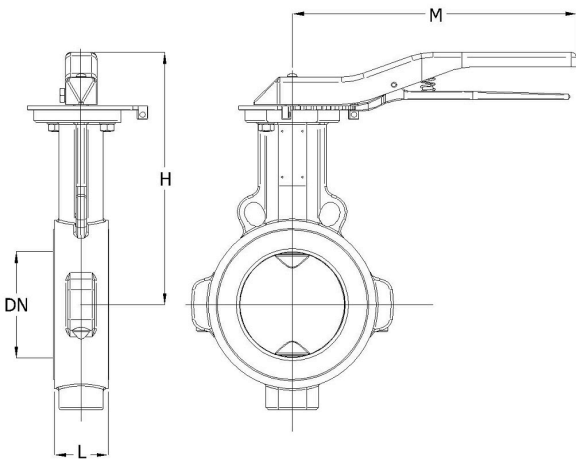
**Disk material:** PFA

**Quality class disc:** S355J2G3

**Actuator material:** 1.4301

### Application

- Recommended in: Chemical



Size table:

| DN    | H<br>mm | L<br>mm | M<br>mm | Weight<br>kg |
|-------|---------|---------|---------|--------------|
| DN40  | 140     | 33      | 232.5   | 2.8          |
| DN50  | 185     | 43      | 272.5   | 4.5          |
| DN65  | 201     | 46      | 272.5   | 5.6          |
| DN80  | 220     | 46      | 272.5   | 6.3          |
| DN100 | 240     | 52      | 272.5   | 7.6          |
| DN125 | 257     | 56      | 272.5   | 9.8          |
| DN150 | 272     | 56      | 272.5   | 12.2         |
| DN200 | 300     | 60      | 350     | 20.5         |
| DN250 | 325     | 68      | 350     | 30.7         |
| DN300 | 363     | 78      | 350     | 50.7         |

### Pressure and temperature range

| Size          | Liner | Pressure rating | Temperature range | -20 | 100 | 140 | 200 | [°C]  |
|---------------|-------|-----------------|-------------------|-----|-----|-----|-----|-------|
| DN40 - DN150  | PTFE  | PN10            | -20°/+200°C       | 10  | 10  | 10  | 6   | [bar] |
| DN200 - DN300 | PTFE  | PN10            | -20°/+200°C       | 10  | 10  | 7   | 3   | [bar] |

| Nominal inner diameter | Pressure rating | Pressure rating flange | Face to Face length | Material liner | Spindle material | Quality class spindle | Minimum medium temperature [continuous] | Maximum medium temperature [continuous] | Article  |
|------------------------|-----------------|------------------------|---------------------|----------------|------------------|-----------------------|---|---|----------|
|                        |                 |                        | mm                  |                |                  |                       | °C                                      | °C                                      |          |
| DN40 - 1.1/2"          | PN10            | PN10/16 and Class 150  | 33                  | PTFE/SIL       | Stainless steel  | 1.4469                | -20                                     | 200                                     | 14041660 |
| DN50 - 2"              | PN10            | PN10/16 and Class 150  | 43                  | PTFE/SIL       | Stainless steel  | 1.4469                | -20                                     | 200                                     | 14041661 |

Disclaimer: The content of this document has been composed with the utmost care. However, it is possible that certain information changes over time, becomes inaccurate or incomplete. ERIKS does not guarantee that the information provided on this document is up to date, accurate and complete; the information provided is not intended to be advice. ERIKS shall never be liable for damage resulting from the use of the information provided.

| Nominal inner diameter | Pressure rating | Pressure rating flange | Face to Face length<br>mm | Material liner | Spindle material | Quality class spindle | Minimum medium temperature (continuous)<br>°C | Maximum medium temperature (continuous)<br>°C | Article  |
|------------------------|-----------------|------------------------|---------------------------|----------------|------------------|-----------------------|---|---|----------|
| DN65 - 2.1/2"          | PN10            | PN10/16 and Class 150  | 46                        | PTFE/SIL       | Stainless steel  | 1.4469                | -20   | 200   | 14041662 |
| DN80 - 3"              | PN10            | PN10/16 and Class 150  | 46                        | PTFE/SIL       | Stainless steel  | 1.4469                | -20   | 200   | 14041663 |
| DN80 - 3"              | PN10            | PN10/16 and Class 150  | 46                        | PTFE/SIL       | Stainless steel  | 1.4469                | -10   | 200   | 13419018 |
| DN100 - 4"             | PN10            | PN10/16 and Class 150  | 52                        | PTFE/SIL       | Stainless steel  | 1.4469                | -20   | 200   | 14041664 |
| DN125 - 5"             | PN10            | PN10/16 and Class 150  | 56                        | PTFE/SIL       | Stainless steel  | 1.4469                | -20   | 200   | 14041665 |
| DN150 - 6"             | PN10            | PN10/16 and Class 150  | 56                        | PTFE/SIL       | Stainless steel  | 1.4469                | -10   | 200   | 13419021 |
| DN150 - 6"             | PN10            | PN10/16 and Class 150  | 56                        | PTFE/SIL       | Stainless steel  | 1.4469                | -20   | 200   | 14041666 |
| DN200 - 8"             | PN10            | PN10/16 and Class 150  | 60                        | PTFE/SIL       | Stainless steel  | 1.4469                | -20   | 200   | 14041667 |
| DN250 - 10"            | PN10            | PN10/16 and Class 150  | 68                        | PTFE/SIL       | Stainless steel  | 1.4462                | -20   | 200   | 14041668 |
| DN300 - 12"            | PN10            | PN10/16 and Class 150  | 78                        | PTFE/SIL       | Stainless steel  | 1.4462                | -20   | 200   | 14041669 |

Disclaimer: The content of this document has been composed with the utmost care. However, it is possible that certain information changes over time, becomes inaccurate or incomplete. ERIKS does not guarantee that the information provided on this document is up to date, accurate and complete; the information provided is not intended to be advice. ERIKS shall never be liable for damage resulting from the use of the information provided.